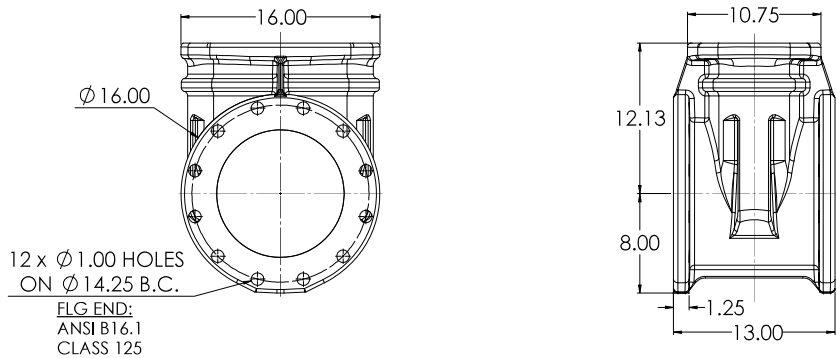
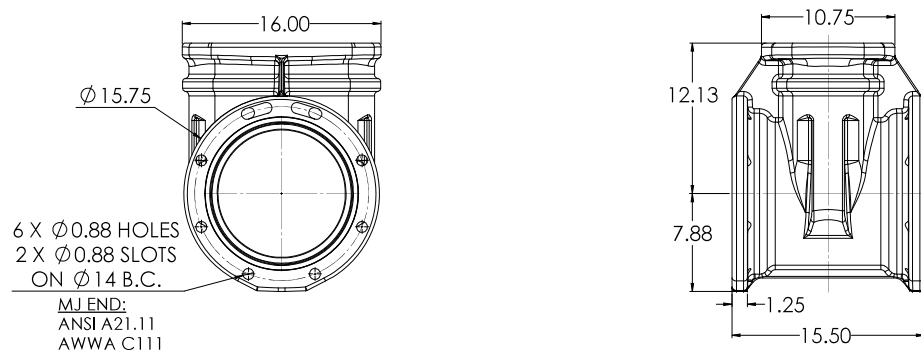


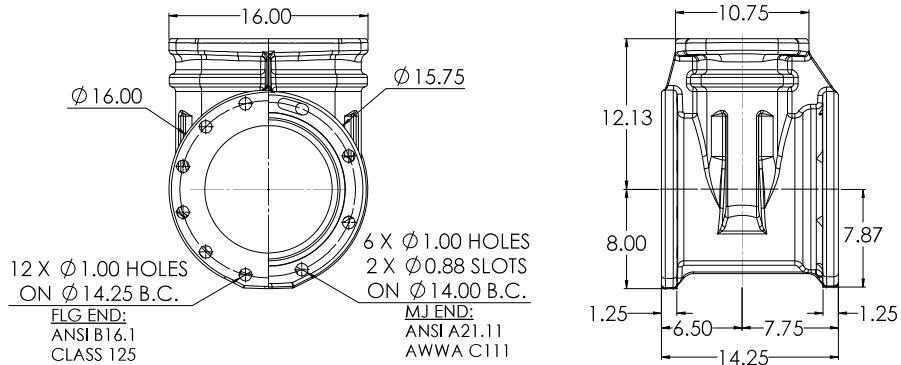
10" C509 FLG X FLG



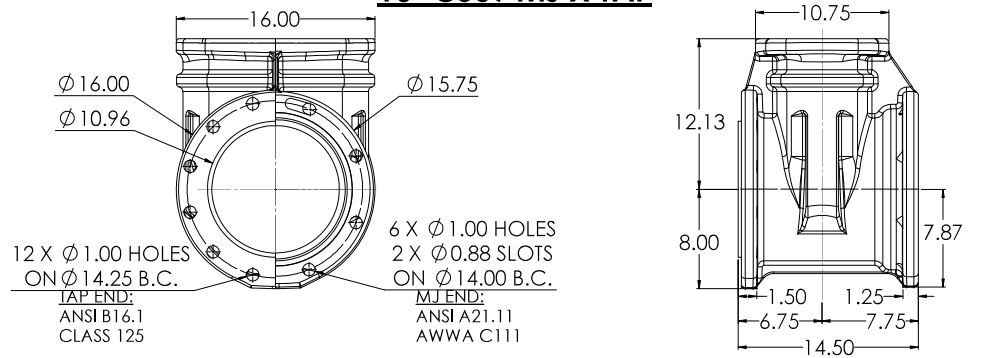
10" C509 MJ X MJ



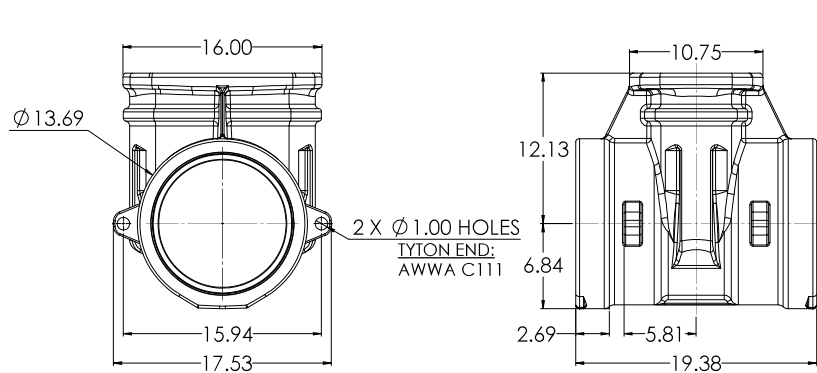
10" C509 FLG X MJ



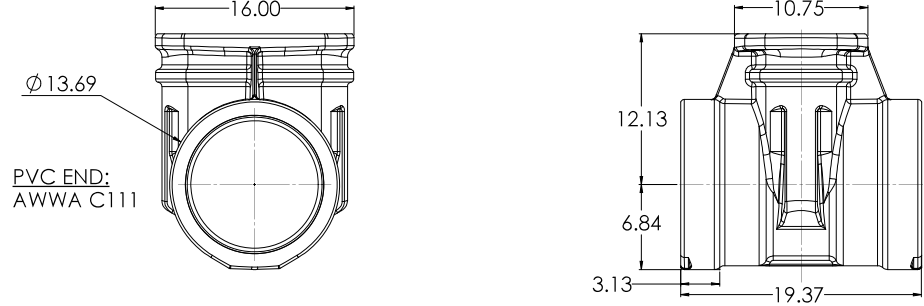
10" C509 MJ X TAP



10" C509 TYTON X TYTON

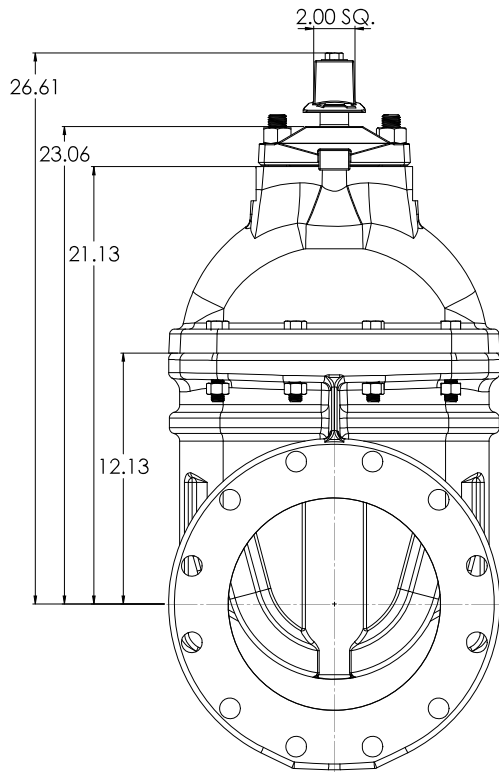


10" C509 PVC X PVC

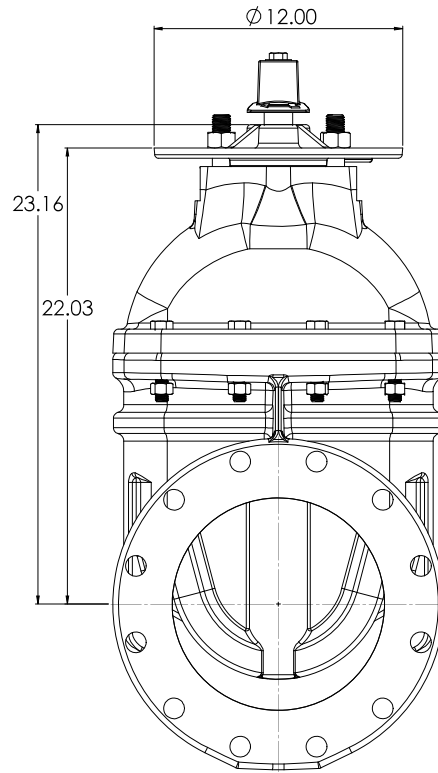


COMPANY: AWWA ADDRESS: 5000 W. 12th Street, Denver, CO 80202 PHONE: 303.440.2400 FAX: 303.440.2401 WWW: www.awwa.org	PROJECT: 10" C509 NRS RESILIENT WEDGE GATE VALVE LBS: 125 T: 1:5	DATE: 12/2/2020 DRAWN BY: SPZ CHECKED BY: SPZ APPROVED BY: SPZ	SHEET NO: 5 OF 5 TITLE: D
---	---	---	--

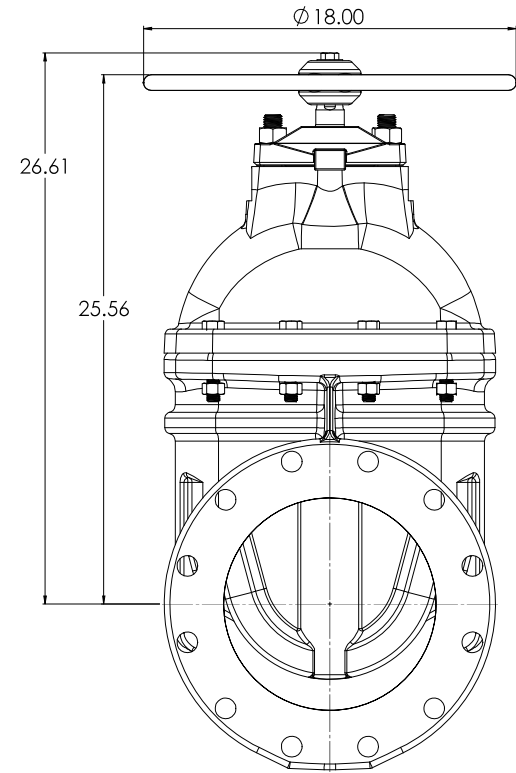
**OPERATING NUT WITH
O-RING PLATE**



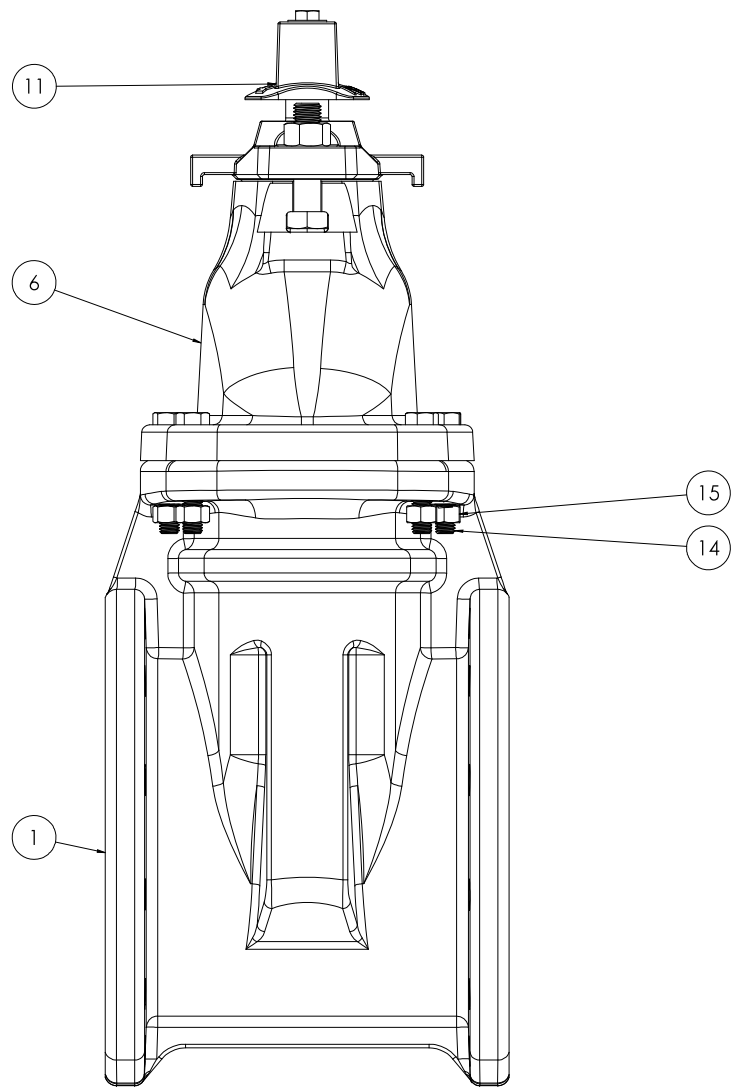
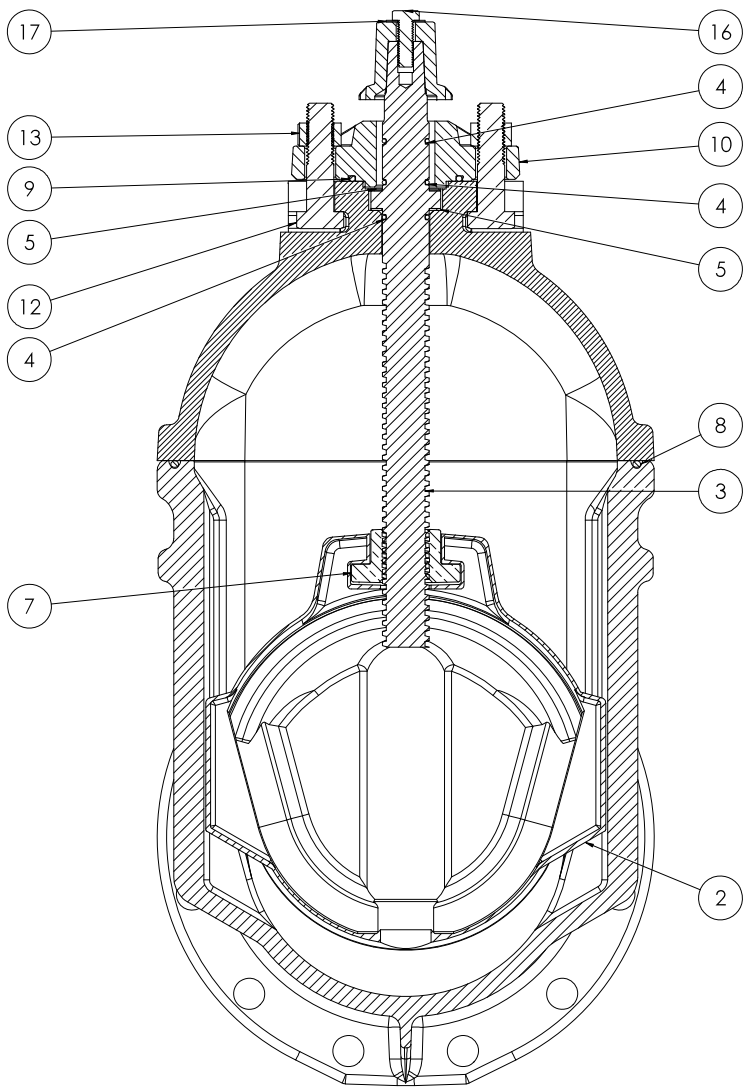
**OPERATING NUT WITH
INDICATOR POST PLATE**



**HANDWHEEL WITH O-
RING PLATE**



COMPANY: SOLO WORKS ADDRESS: 1522/2030B CITY: CHENNAI STATE: TAMIL NADU COUNTRY: INDIA		PROJECT: 10' C509 NRS RESILIENT WEDGE GATE VALVE LBS.		SHEET NO: 2 TOTAL SHEETS: 5	DATE: 15/2/2020 SCALE: 1:5 DRAWN BY: SOLO WORKS 2016 SP2	
---	--	---	--	--	---	--



10' C509 NRS RESILIENT WEDGE GATE VALVE LBS.		1:5 12/2/2020	3 5	
DATE: 12/2/2020 TIME: 10:00 AM DRAWN BY: CW CHECKED BY:	PART NO.: 10' C509 NRS RESILIENT WEDGE GATE VALVE REV: 1 QTY: 1 UNIT: LBS.	PROJECT: 10' C509 NRS RESILIENT WEDGE GATE VALVE DRAWING NO.: 10' C509 NRS RESILIENT WEDGE GATE VALVE SCALE: 1:5 DATE: 12/2/2020	SHEET NO.: 3 TOTAL SHEETS: 5	M&E MECHANICAL & ELECTRICAL ENGINEERING

<u>ITEM NO.</u>	<u>COMPONENT</u>	<u>QTY.</u>	<u>SIZE</u>	<u>STANDARD MATERIAL</u>	<u>MATERIAL OPTIONS</u>
1	BODY	1	-	CAST IRON	DUCTILE IRON
2	WEDGE	1	-	EPDM/DUCTILE IRON	-
3	STEM	1	-	C86700	C99500(LOW ZINC), 304 SS, 316 SS
4	O-RING	3	#218	EPDM	BUNA-N
5	THRUST WASHER	2	-	ACETAL	C26000
6	COVER	1	-	CAST IRON	DUCTILE IRON
7	STEM NUT	1	-	C87850	C99500 (LOW ZINC)
8	O-RING	1	#452	EPDM	BUNA-N
9	O-RING	1	#339	EPDM	BUNA-N
10	O-RING PLATE	1	-	DUCTILE IRON	**INDICATOR POST PLATE**
11	OPERATING NUT	1	-	CAST IRON	DUCTILE IRON, C86700, **Ø 14" HANDWHEEL**
12	HEX HEAD CAP SCREW	2	7/8"-9 X 3 1/2"	18-8 SS	316 SS
13	HEX NUT	2	7/8"-9	18-8 SS	316 SS
14	HEX HEAD CAP SCREW	8	5/8"-11 X 3 1/2"	18-8 SS	316 SS
15	HEX NUT	8	5/8"-11	18-8 SS	316 SS
16	HEX HEAD CAP SCREW	1	1/2"-13 X 1 1/2"	18-8 SS	316 SS
17	WASHER	1	1/2"	18-8 SS	316 SS

- VALVES CONFORM WITH THE FOLLOWING STANDARDS
 - AWWA C509
 - NSF 61
- LOW ZINC BRASS STEM AND STEM NUT AVAILABLE
- 100% DOMESTIC FASTENERS AND ORINGS OPTIONS AVAILABLE
- *OPEN LEFT* (COUNTERCLOCKWISE) AND *OPEN RIGHT* (CLOCKWISE) OPTIONS AVAILABLE
- TURNS TO OPEN FROM FULLY CLOSED: 32
- AWWA MAXIMUM ALLOWABLE CLOSING TORQUE 185 FT-LBS
- OPTIONAL HANDWHEEL CAN BE SUBSTITUTED FOR STANDARD 2" SQUARE OP. NUTS.
 - **NOTE: STANDARD HANDWHEEL SIZE LISTED OUT IN PARTS LIST.**

<small> COMPANY: SOLOWORKS ADDRESS: 10000 W. 10TH AVE., SUITE 100, DENVER, CO 80202 PHONE: 303.751.1000 FAX: 303.751.1001 WWW.SOLOWORKS.COM </small>		<small> PROJECT: 10" C509 NRS RESILIENT WEDGE GATE VALVE SHEET NO: 4 TOTAL SHEETS: 5 </small>		
<small> DATE: 12/29/2020 DRAWN BY: CW </small>	<small> CHECKED BY: </small>	<small> SCALE: 1:5 </small>	<small> SHEET NO: 4 TOTAL SHEETS: 5 </small>	