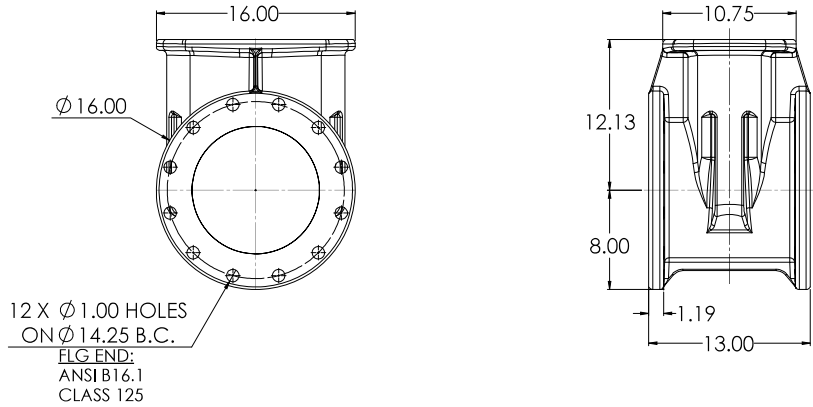
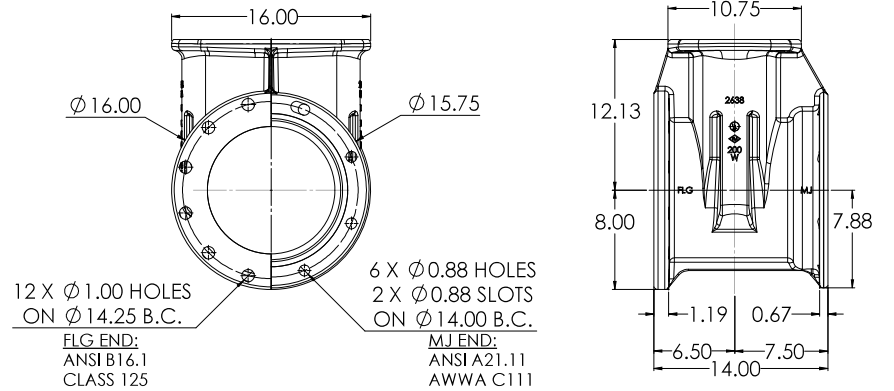


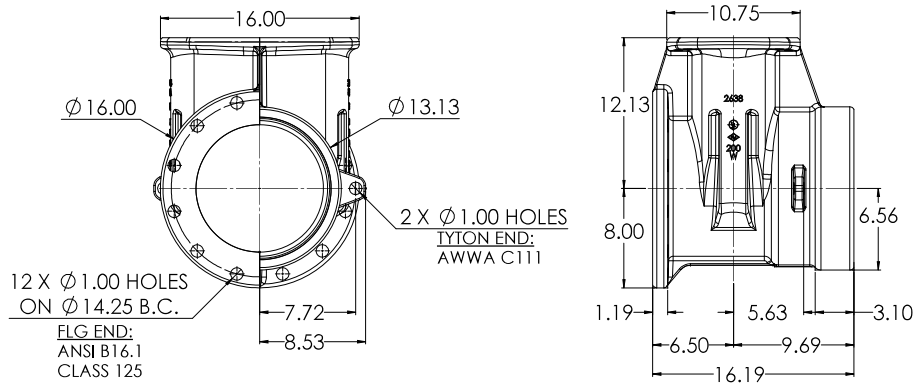
10" C515 FLG X FLG



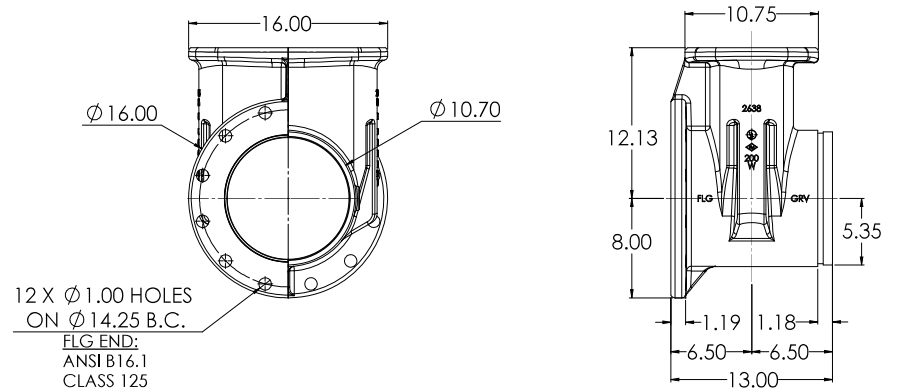
10" C515 FLG X MJ



10" C515 FLG X TYTON

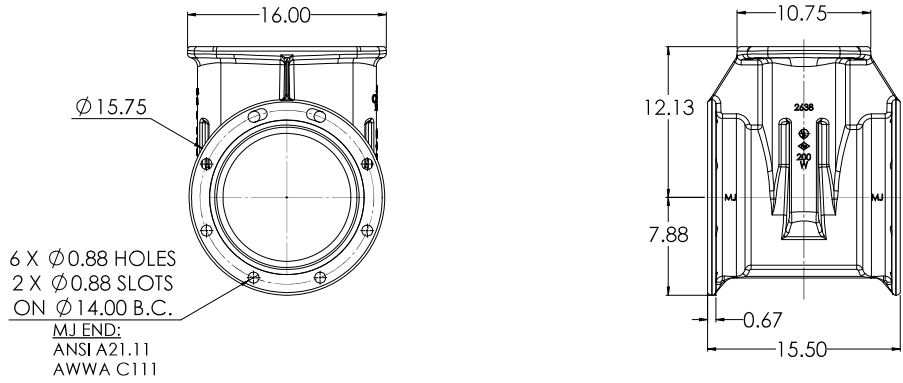


10" C515 FLG X GRVD

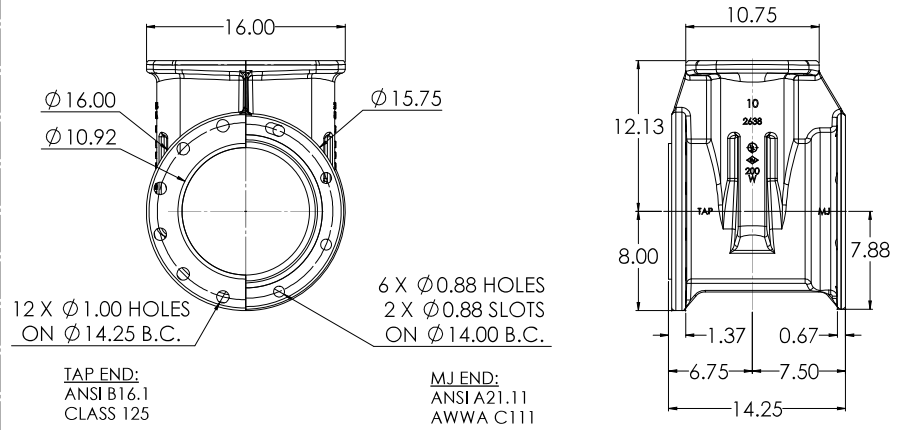


COMPANY: SWISS VALVE ADDRESS: 10000 SWISS VALVE DRIVE, SUITE 100, BOSTON, MA 02124 PHONE: 617-252-1000 FAX: 617-252-1001 WWW: WWW.SWISSVALVE.COM	PROJECT: 10" C515 NRS RESILIENT WEDGE GATE VALVE LBS: 1000 DATE: 12/2/2020	SHEET NO: 6 OF: 6 DRAWN BY: SWISS VALVE CHECKED BY: SWISS VALVE DATE: 12/2/2020	
---	---	--	--

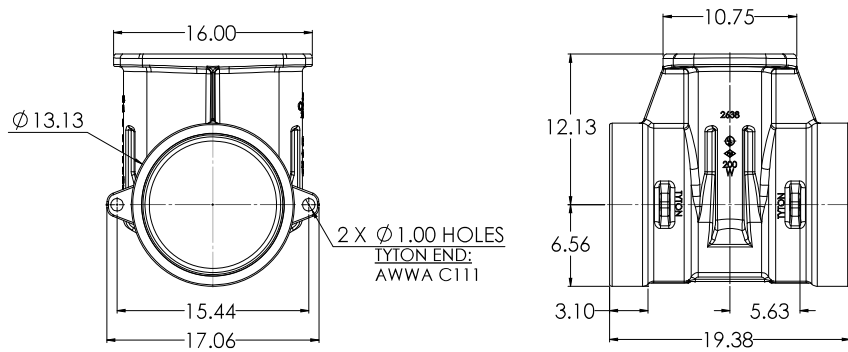
10" C515 MJ X MJ



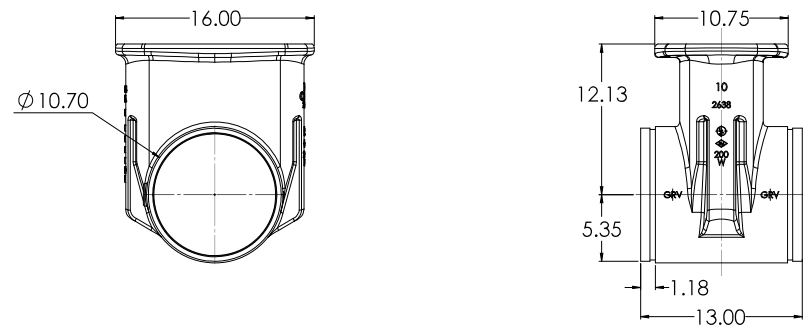
10" C515 MJ X TAP



10" C515 TYTON X TYTON

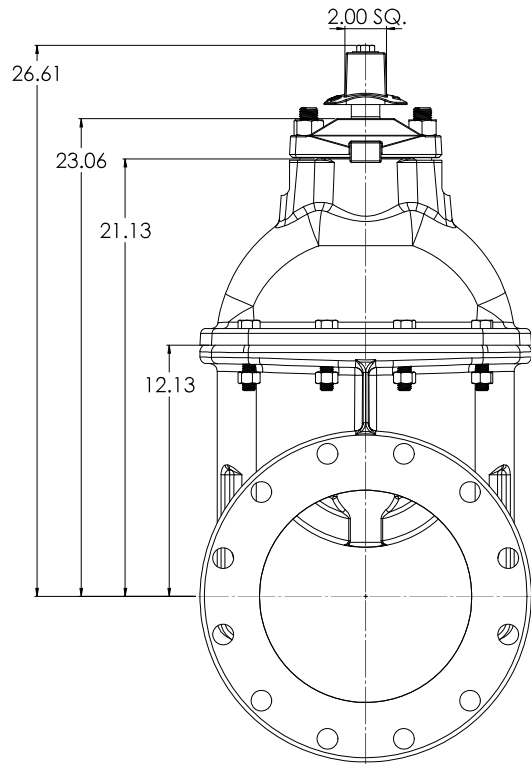


10" C515 GRVD X GRVD

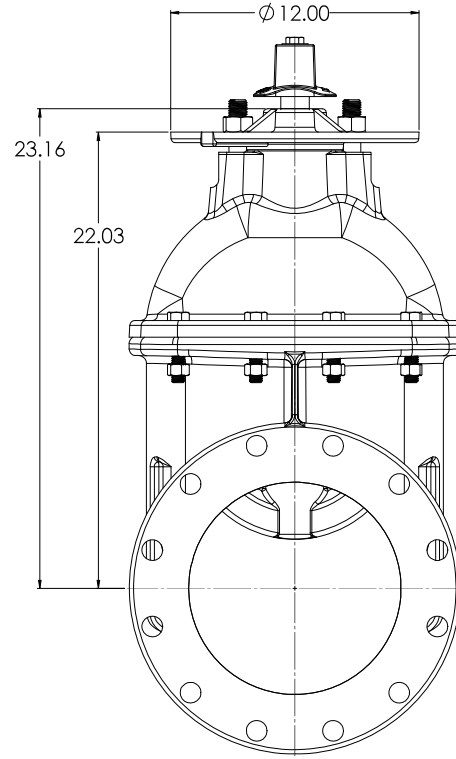


COMPANY: WATKINS ADDRESS: 1000 W. 10th St., Suite 100 DENVER, CO 80202 PHONE: 303.733.1111 FAX: 303.733.1112 WWW: www.watkins.com	PROJECT: 10" C515 NRS RESILIENT WEDGE GATE VALVE DATE: 12/20/2020 DRAWN BY: SP CHECKED BY: SP SCALE: 1:1	SHEET: 2 OF 6 TITLE: 10" C515 NRS RESILIENT WEDGE GATE VALVE LBS: 6 DATE: 12/20/2020 SCALE: 1:1 DRAWN BY: SP CHECKED BY: SP SCALE: 1:1	WATKINS COMPANY 1000 W. 10th St., Suite 100 DENVER, CO 80202 PHONE: 303.733.1111 FAX: 303.733.1112 WWW: www.watkins.com
---	---	---	--

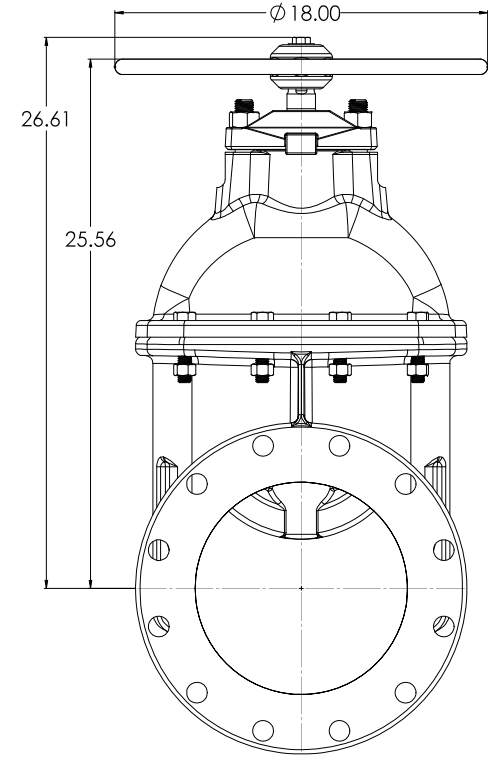
**OPERATING NUT
WITH O-RING PLATE**



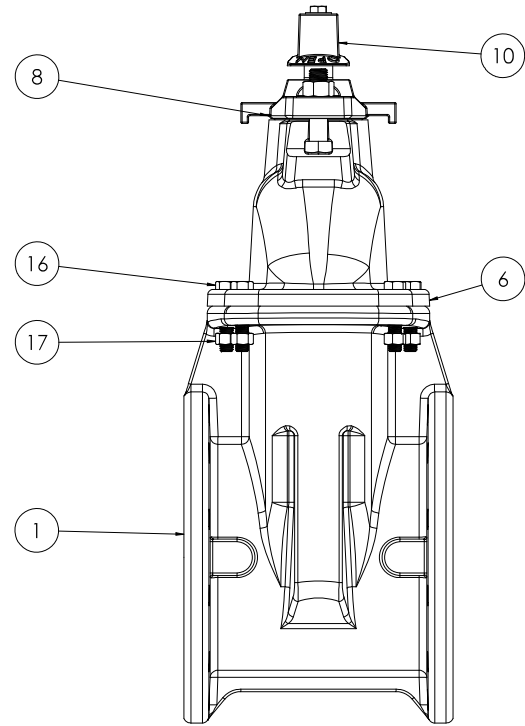
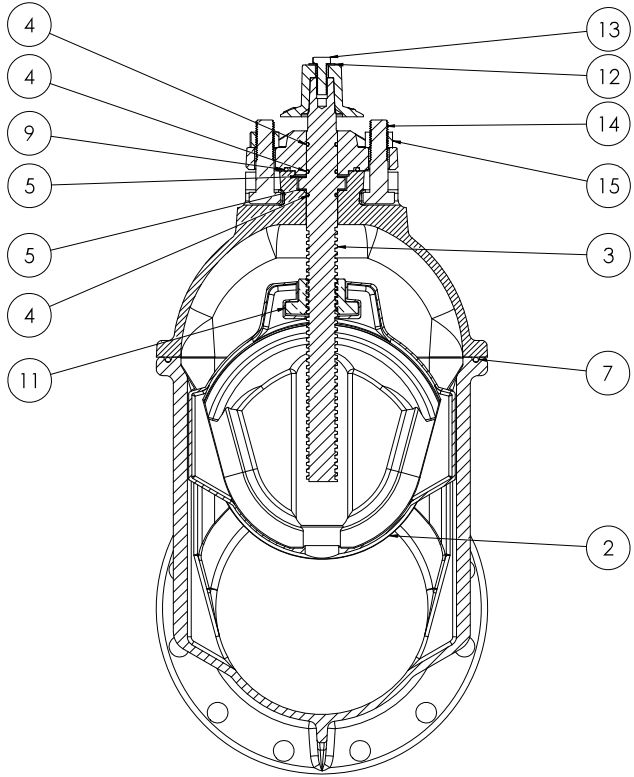
**OPERATING NUT WITH
INDICATOR POST PLATE**



**HANDWHEEL WITH
O-RING PLATE**



COMPANY: MECHANICAL ENGINEERING ADDRESS: 10000 W. 10th Ave., Suite 100, Westminster, CO 80040 PHONE: (303) 440-1100 FAX: (303) 440-1101 WWW: www.mechanical-engineering.com		PROJECT: 10' CS18 NRS RESILIENT WEDGE GATE VALVE LBS. 1500 T: 1:5 DATE: 12/2/2009 DRAWN BY: CW CHECKED BY: SP		SHEET NO. 3 TOTAL SHEETS 6 REVISIONS: D
--	--	--	--	--



MANUFACTURER'S INFORMATION COMPANY: SOLOWORKS ADDRESS: 10000 W. 10th Ave., Suite 100, Denver, CO 80202 PHONE: 303.751.1000 FAX: 303.751.1001 WEBSITE: www.soloworks.com		REVISED DRAWING INFORMATION TITLE: 10" CS18 NRS RESILIENT WEDGE GATE VALVE SCALE: 1:5 DATE: 12/2/2020 DRAWN BY: SPZ CHECKED BY: SPZ APPROVED BY: SPZ		PROJECT INFORMATION PROJECT NO.: 10000 PROJECT NAME: 10" CS18 NRS RESILIENT WEDGE GATE VALVE PROJECT LOCATION: 10" CS18 NRS RESILIENT WEDGE GATE VALVE PROJECT DESCRIPTION: 10" CS18 NRS RESILIENT WEDGE GATE VALVE	REVISIONS NO. DATE DESCRIPTION 1 12/2/2020 10" CS18 NRS RESILIENT WEDGE GATE VALVE 2 12/2/2020 10" CS18 NRS RESILIENT WEDGE GATE VALVE 3 12/2/2020 10" CS18 NRS RESILIENT WEDGE GATE VALVE 4 12/2/2020 10" CS18 NRS RESILIENT WEDGE GATE VALVE 5 12/2/2020 10" CS18 NRS RESILIENT WEDGE GATE VALVE 6 12/2/2020 10" CS18 NRS RESILIENT WEDGE GATE VALVE	MANUFACTURER'S LOGO SOLOWORKS 10" CS18 NRS RESILIENT WEDGE GATE VALVE 4 6
--	--	---	--	--	--	--

<u>ITEM NO.</u>	<u>COMPONENT</u>	<u>QTY.</u>	<u>SIZE</u>	<u>STANDARD MATERIAL</u>	<u>MATERIAL OPTIONS</u>
1	BODY	1	-	DUCTILE IRON	-
2	WEDGE	1	-	EPDM/DUCTILE IRON	-
3	STEM	1	-	C86700	C99500 (LOW ZINC), 304 SS, 316 SS
4	O-RING	3	#218	EPDM	BUNA-N
5	THRUST WASHER	2	-	ACETAL	C26000
6	COVER	1	-	DUCTILE IRON	-
7	O-RING	1	#452	EPDM	BUNA-N
8	O-RING PLATE	1	-	DUCTILE IRON	-
9	O-RING	1	#339	EPDM	BUNA-N
10	OPERATING NUT	1	-	CAST IRON	DUCTILE IRON, C86700, ** ϕ 18" HANDWHEEL**
11	STEM NUT	1	-	C87850	C99500 (LOW ZINC)
12	WASHER	1	1/2"	18-8 SS	316 SS
13	HEX HEAD CAP SCREW	1	1/2"-13 X 1 1/2"	18-8 SS	316 SS
14	HEX HEAD CAP SCREW	2	7/8"-9 X 3 1/2"	18-8 SS	316 SS
15	HEX NUT	2	7/8"-9	18-8 SS	316 SS
16	HEX HEAD CAP SCREW	8	5/8"-11 X 3"	18-8 SS	316 SS
17	HEX NUT	8	5/8"-11	18-8 SS	316 SS

- VALVES CONFORM WITH THE FOLLOWING STANDARDS
 - AWWA C515
 - NSF 61
- LOW ZINC BRASS STEM AND STEM NUT AVAILABLE
- 100% DOMESTIC FASTENERS AND ORINGS OPTIONS AVAILABLE
- *OPEN LEFT* (COUNTERCLOCKWISE) AND *OPEN RIGHT* (CLOCKWISE) OPTIONS AVAILABLE
- TURNS TO OPEN FROM FULLY CLOSED: 32
- AWWA MAXIMUM ALLOWABLE CLOSING TORQUE 185 FT-LBS
- OPTIONAL HANDWHEEL CAN BE SUBSTITUTED FOR STANDARD 2" SQUARE OP. NUTS.
 - **NOTE: STANDARD HANDWHEEL SIZE LISTED OUT IN PARTS LIST.**

<small> COMPANY: SOLOWORKS ADDRESS: 1100 W. 10TH AVE., SUITE 100, DENVER, CO 80202 PHONE: 303.733.8800 FAX: 303.733.8801 WWW: www.soloworks.com </small>		<small> PROJECT: 10' CS18 NRS RESILIENT WEDGE GATE VALVE DATE: 12/2/2020 DRAWN BY: CW CHECKED BY: 12/2/2020 SCALE: 1:5 SHEET: 5 OF 6 </small>		
--	--	--	--	---