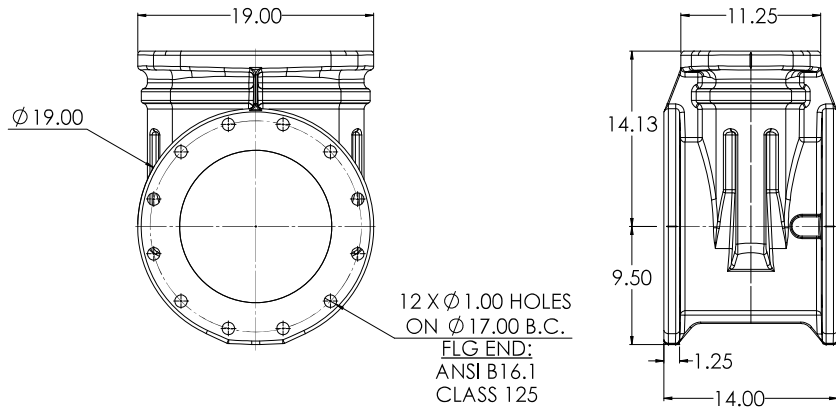
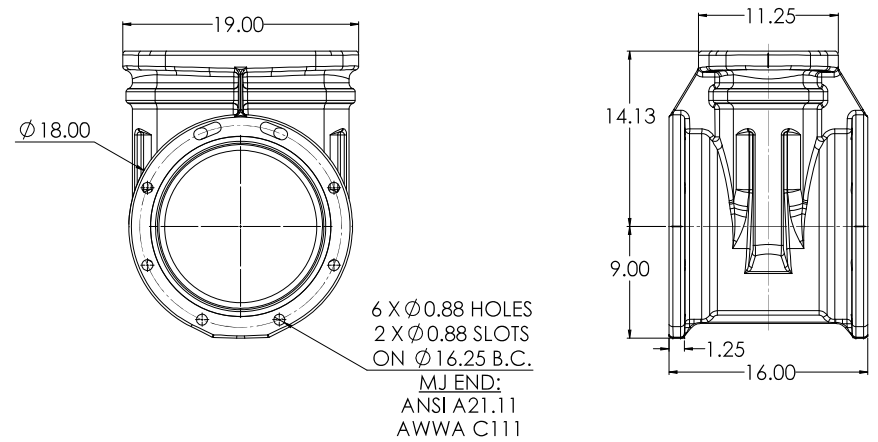


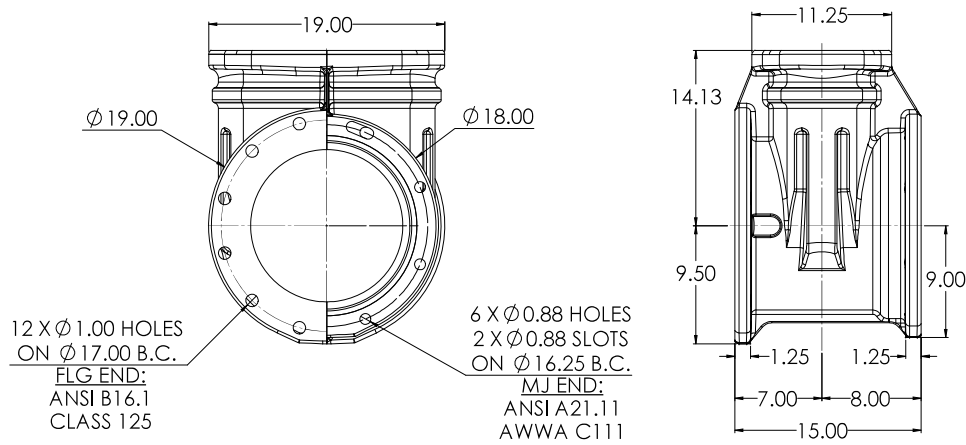
12" C509 FLG X FLG



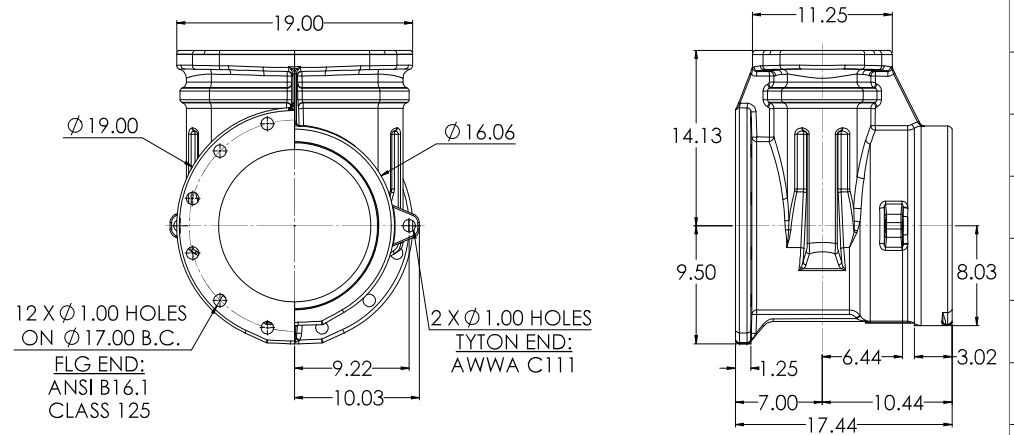
12" C509 MJ X MJ



12" C509 FLG X MJ

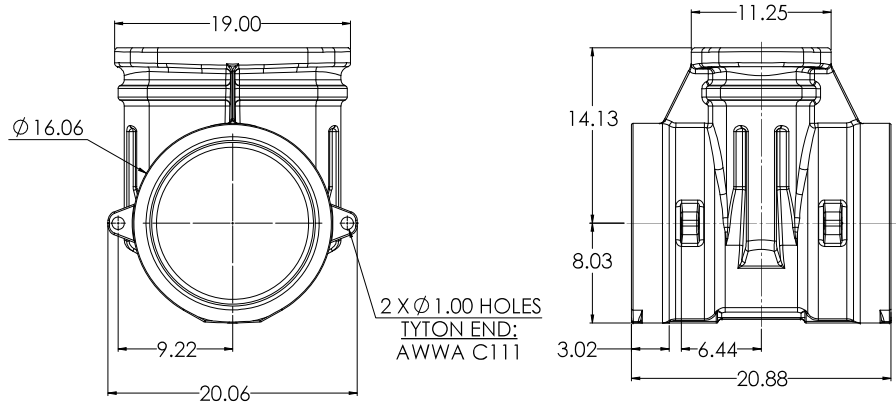


12" C509 FLG X TYTON

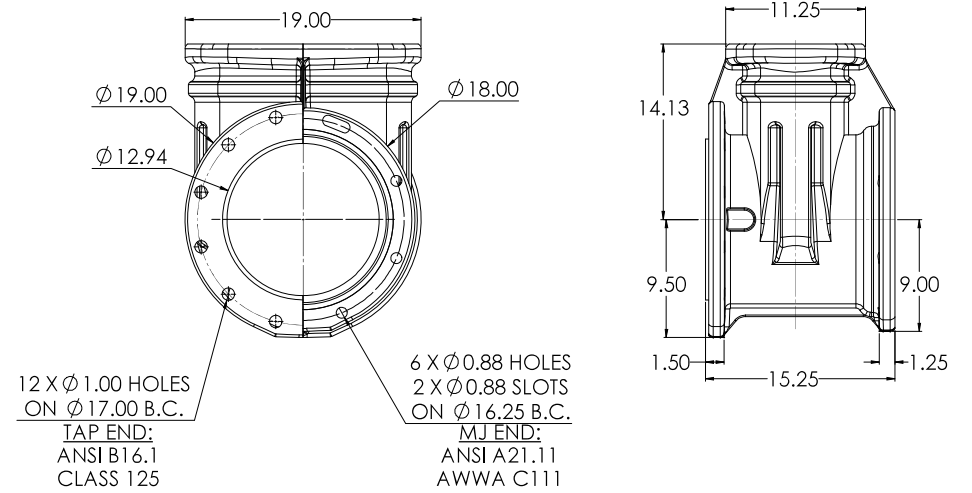


COMPANY: SWISS VALVE ADDRESS: 11000 SWISS VALVE DRIVE, WILSONVILLE, OR 97154 PHONE: 503.261.1100 FAX: 503.261.1101 WWW: WWW.SWISSVALVE.COM	PRODUCT: 12" C509 NRS RESILIENT WEDGE GATE VALVE SIZE: 12" END: FLG END: TYTON CLASS: 125	DATE: 12/2/2020 DRAWN BY: CW CHECKED BY:	SHEET NO: 6 OF 6 PROJECT NO:
---------------------------------------------------------------------------------------------------------------------------------------------------------------	------------------------------------------------------------------------------------------------------------------------------------------	------------------------------------------------	--------------------------------------------------

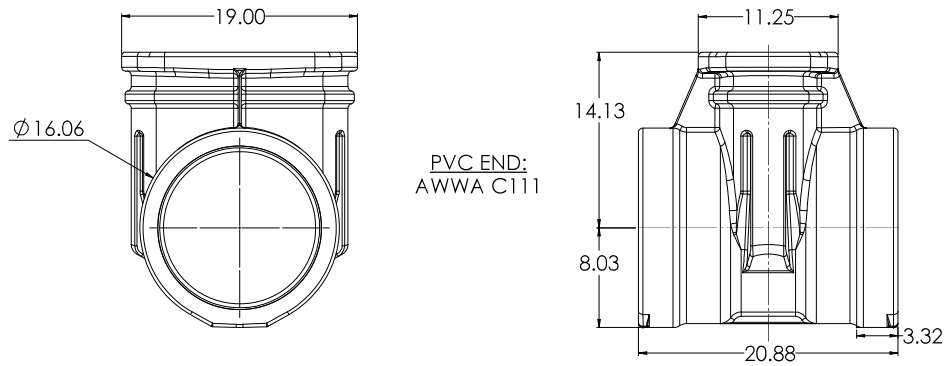
12" C509 TYTON X TYTON



12" C509 MJ X TAP

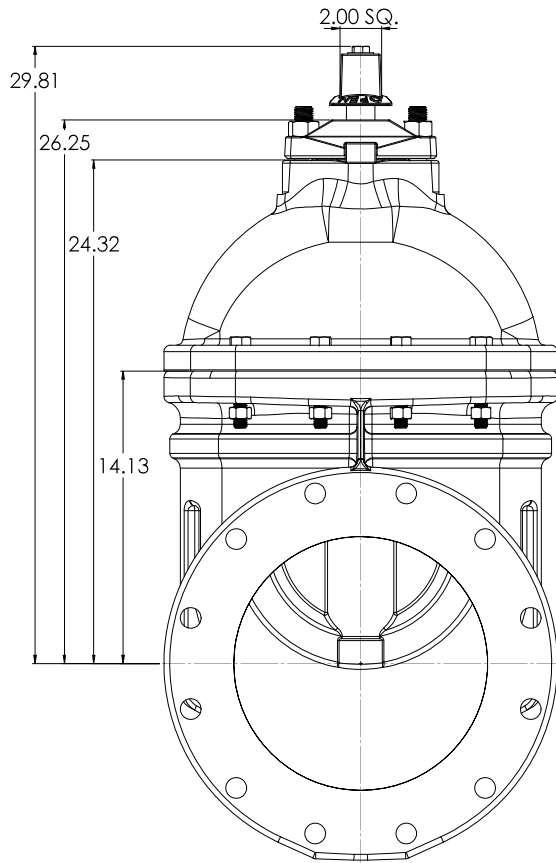


12" C509 PVC X PVC

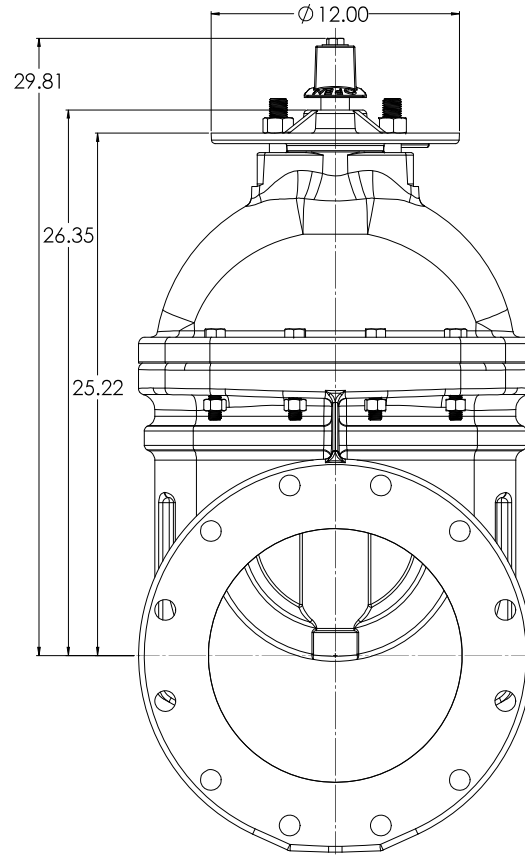


COMPANY: SoliWorks DATE: 12/2/2020 DRAWN BY: CW CHECKED BY:	PROJECT: 12" C509 NRS RESILIENT WEDGE GATE VALVE PART: 12" C509 NRS RESILIENT WEDGE GATE VALVE SCALE: 1:5 SHEET: 2 OF 6	REV: 1 DATE: 12/2/2020 BY: CW REASON:	APPROVED BY:	SOLIDWORKS 2016 SP2
----------------------------------------------------------------------	----------------------------------------------------------------------------------------------------------------------------------	------------------------------------------------	--------------	---------------------

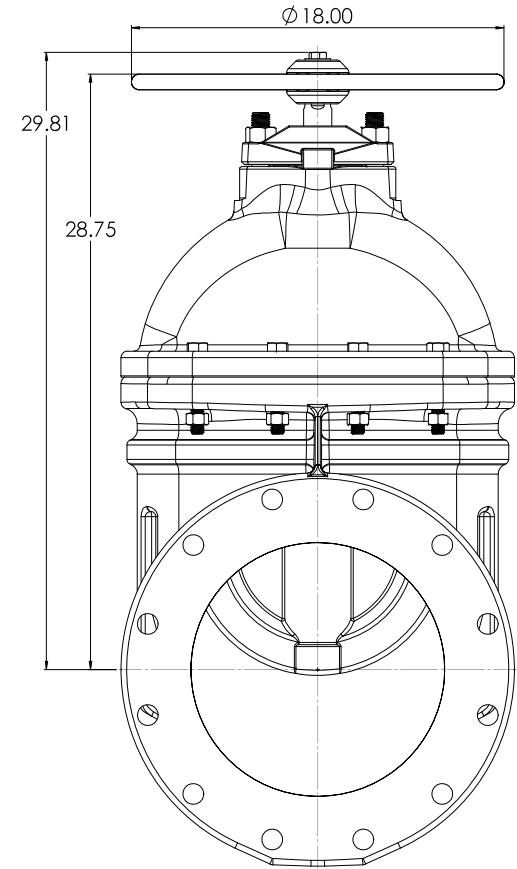
**OPERATING NUT WITH
O-RING PLATE**



**OPERATING NUT WITH
INDICATOR POST PLATE**



**HANDWHEEL WITH
O-RING PLATE**



REVISED DATE: 12/20/2020 BY: CW		DESCRIPTION 12" C509 NRS RESILIENT WEDGE GATE VALVE		SCALE T:5	DATE 12/20/2020	PROJECT SolisWorks 2016 SP2	REV 3 6	
----------------------------------------------	--	------------------------------------------------------------------	--	---------------------	---------------------------	---------------------------------------	----------------------	--

<u>ITEM NO.</u>	<u>COMPONENT</u>	<u>QTY.</u>	<u>SIZE</u>	<u>STANDARD MATERIAL</u>	<u>MATERIAL OPTIONS</u>
1	BODY	1	-	CAST IRON	DUCTILE IRON
2	STEM	1	-	C86700	C99500 (LOW ZINC), 304 SS, 316 SS
3	THRUST WASHER	2	-	ACETAL	C26000
4	O-RING	3	#218	EPDM	BUNA-N
5	COVER	1	-	CAST IRON	DUCTILE IRON
6	STEM NUT	1	-	C87850	C99500 (LOW ZINC)
7	WEDGE	1	-	EPDM/DUCTILE IRON	-
8	O-RING	1	#455	EPDM	DUCTILE IRON
9	O-RING	1	#339	EPDM	DUCTILE IRON
10	OPERATING NUT	1	-	CAST IRON	C86700, DUCTILE IRON
11	HEX HEAD CAPSCREW	2	7/8"-9 X 3 1/2"	18-8 SS	316 SS
12	HEX NUT	2	7/8"-9	18-8 SS	316 SS
13	HEX HEAD CAPSCREW	8	5/8"-11 X 4"	18-8 SS	316 SS
14	HEX NUT	8	5/8"-11	18-8 SS	316 SS
15	HEX HEAD CAPSCREW	1	1/2"-13 X 1 1/2"	18-8 SS	316 SS
16	FLAT WASHER	1	1/2"	18-8 SS	316 SS
17	O-RING PLATE	1	-	CAST IRON	-

- VALVES CONFORM WITH THE FOLLOWING STANDARDS
 - AWWA C509
 - NSF 61
- LOW ZINC BRASS STEM AND STEM NUT AVAILABLE
- 100% DOMESTIC FASTENERS AND ORINGS OPTIONS AVAILABLE
- *OPEN LEFT* (COUNTERCLOCKWISE) AND *OPEN RIGHT* (CLOCKWISE) OPTIONS AVAILABLE
- TURNS TO OPEN FROM FULLY CLOSED: 32
- AWWA MAXIMUM ALLOWABLE CLOSING TORQUE 185 FT-LBS
- OPTIONAL HANDWHEEL CAN BE SUBSTITUTED FOR STANDARD 2" SQUARE OP. NUTS.
 - **NOTE: STANDARD HANDWHEEL SIZE LISTED OUT IN PARTS LIST.**

<small> COMPANY: 1234567890 ADDRESS: 1234567890 CITY: 1234567890 STATE: 1234567890 ZIP: 1234567890 PHONE: 1234567890 FAX: 1234567890 EMAIL: 1234567890 </small>		<small> COMPANY: 1234567890 ADDRESS: 1234567890 CITY: 1234567890 STATE: 1234567890 ZIP: 1234567890 PHONE: 1234567890 FAX: 1234567890 EMAIL: 1234567890 </small>		<small> COMPANY: 1234567890 ADDRESS: 1234567890 CITY: 1234567890 STATE: 1234567890 ZIP: 1234567890 PHONE: 1234567890 FAX: 1234567890 EMAIL: 1234567890 </small>	
<small> COMPANY: 1234567890 ADDRESS: 1234567890 CITY: 1234567890 STATE: 1234567890 ZIP: 1234567890 PHONE: 1234567890 FAX: 1234567890 EMAIL: 1234567890 </small>		<small> COMPANY: 1234567890 ADDRESS: 1234567890 CITY: 1234567890 STATE: 1234567890 ZIP: 1234567890 PHONE: 1234567890 FAX: 1234567890 EMAIL: 1234567890 </small>		<small> COMPANY: 1234567890 ADDRESS: 1234567890 CITY: 1234567890 STATE: 1234567890 ZIP: 1234567890 PHONE: 1234567890 FAX: 1234567890 EMAIL: 1234567890 </small>	
<small> COMPANY: 1234567890 ADDRESS: 1234567890 CITY: 1234567890 STATE: 1234567890 ZIP: 1234567890 PHONE: 1234567890 FAX: 1234567890 EMAIL: 1234567890 </small>		<small> COMPANY: 1234567890 ADDRESS: 1234567890 CITY: 1234567890 STATE: 1234567890 ZIP: 1234567890 PHONE: 1234567890 FAX: 1234567890 EMAIL: 1234567890 </small>		<small> COMPANY: 1234567890 ADDRESS: 1234567890 CITY: 1234567890 STATE: 1234567890 ZIP: 1234567890 PHONE: 1234567890 FAX: 1234567890 EMAIL: 1234567890 </small>	
<small> COMPANY: 1234567890 ADDRESS: 1234567890 CITY: 1234567890 STATE: 1234567890 ZIP: 1234567890 PHONE: 1234567890 FAX: 1234567890 EMAIL: 1234567890 </small>		<small> COMPANY: 1234567890 ADDRESS: 1234567890 CITY: 1234567890 STATE: 1234567890 ZIP: 1234567890 PHONE: 1234567890 FAX: 1234567890 EMAIL: 1234567890 </small>		<small> COMPANY: 1234567890 ADDRESS: 1234567890 CITY: 1234567890 STATE: 1234567890 ZIP: 1234567890 PHONE: 1234567890 FAX: 1234567890 EMAIL: 1234567890 </small>	