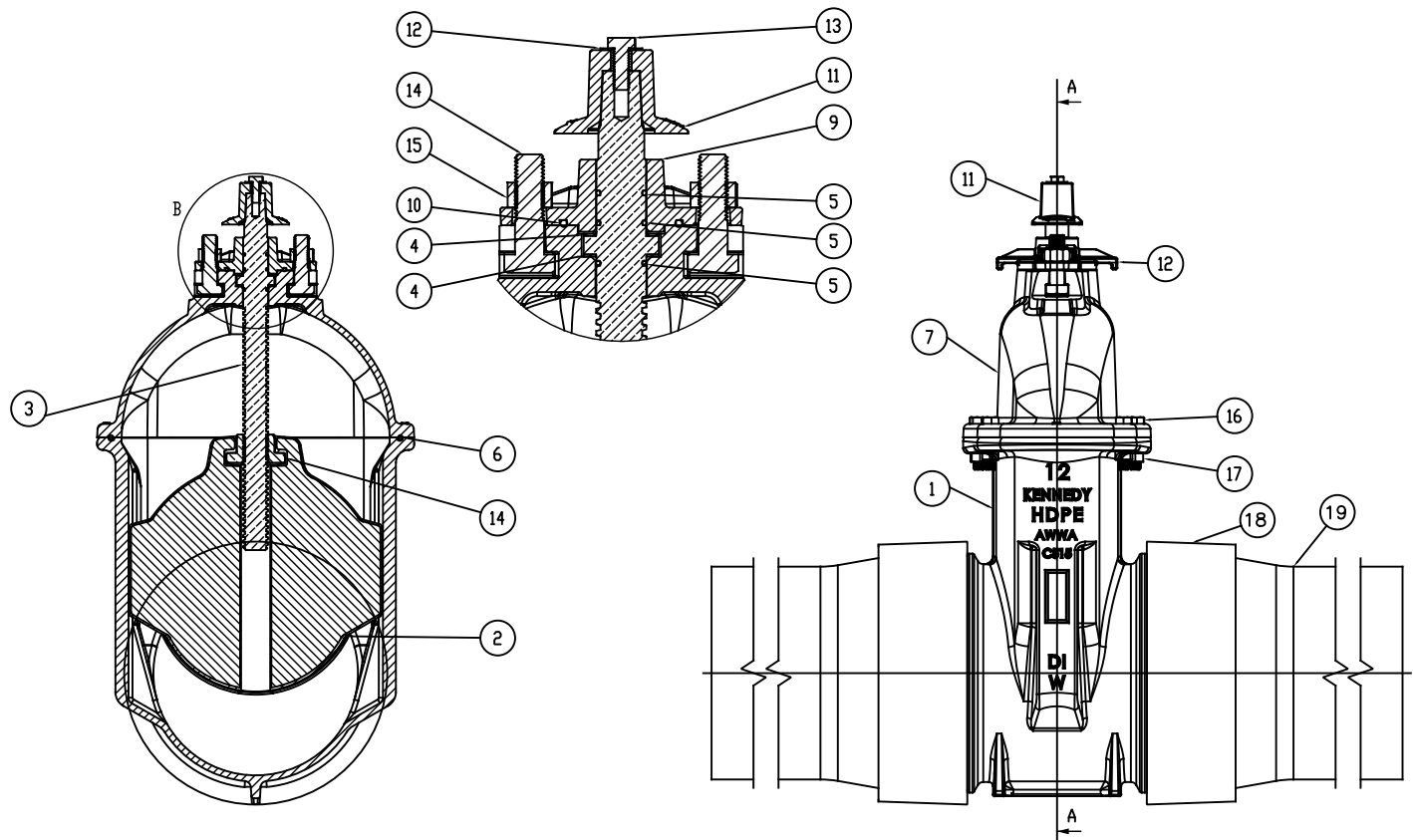


NOTES:

1. 37.75 TURNS TO OPEN/CLOSE
2. PIPE OPTIONS: IPS DR11, DIPS DR11, IPS DR09 & DIPS DR09
3. COMPLIES WITH NSF 61
4. MAXIMUM ALLOWABLE TORQUE, PER AWWA, IS 185 FT*LBS

<p>M&H VALVE COMPANY ANNISTON, ALABAMA A DIVISION OF MCWANE INC.</p>	<p>DWG. NO. RS-HDPE-12</p>	<p>12" AWWA C515 RESILIENT SEATED GATE VALVE HDPE X HDPE CONNECTION 2" AWWA OP NUT - OPEN LEFT</p>
	<p>DWN: CTJ REV</p>	
	<p>DATE: 9/26/22 —</p>	



ITEM	DESCRIPTION	MATERIAL
1	VALVE BODY	DUCTILE IRON
2	WEDGE	EPDM / DUCTILE IRON
3	STEM	C86700
4	THRUST WASHER	ACETAL
5	O-RING ; -218	EPDM
6	O-RING ; -455	EPDM
7	BONNET	DUCTILE IRON
8	STEM NUT	C87850
9	SEAL PLATE	DUCTILE IRON
10	O-RING ; -339	EPDM
11	OPERATING NUT	CAST IRON
12	WASHER	18-8 SS
13	HEX HEAD CAP SCREW	18-8 SS
14	HEX HEAD CAP SCREW	18-8 SS
15	HEX NUT	18-8 SS
16	HEX HEAD CAP SCREW	18-8 SS
17	HEX NUT	18-8 SS
18	HDPE RING	DUCTILE IRON
19	HDPE PIPE SECTION	HIGH DENSITY POLYETHYLENE

M&H VALVE COMPANY
ANNISTON, ALABAMA
A DIVISION OF MCWANE INC.

DWG. NO.

RS-HDPE-BOM

DWN: CTJ

REV

DATE: 9/26/22

2" - 12" AWWA C515 RESILIENT SEATED
GATE VALVE
HDPE X HDPE CONNECTION
BILL-OF-MATERIAL