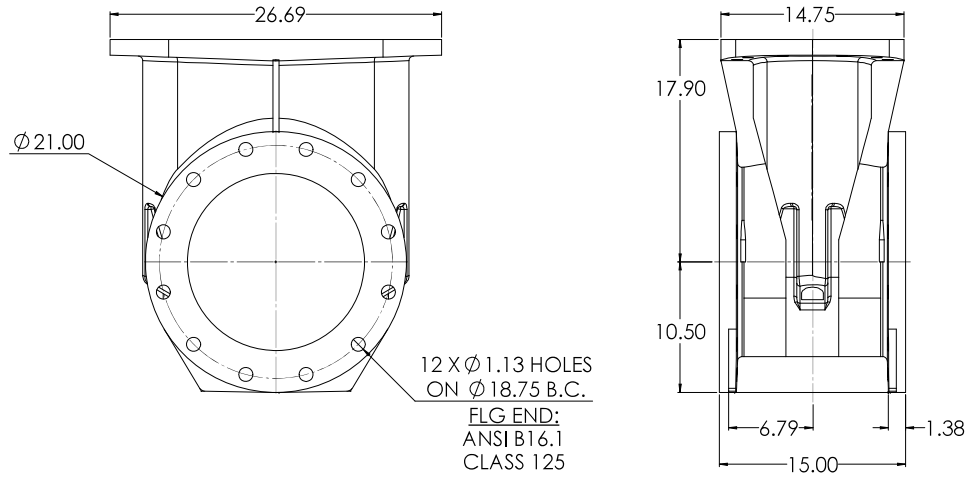
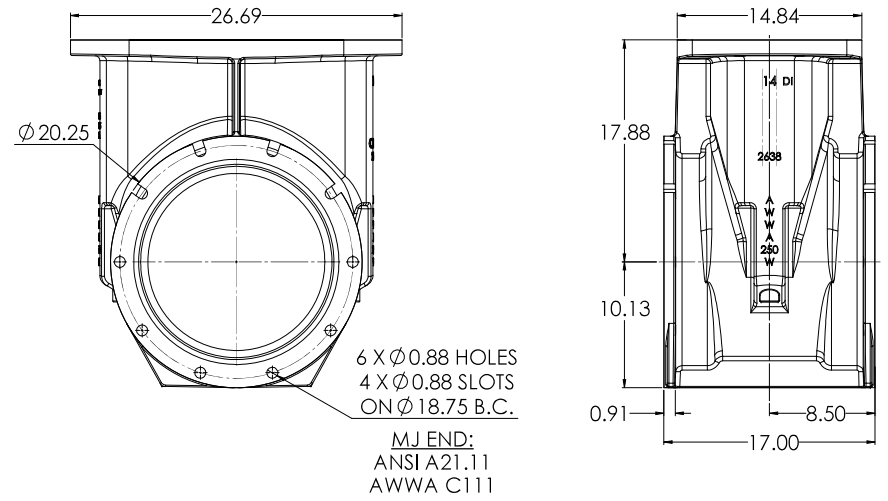


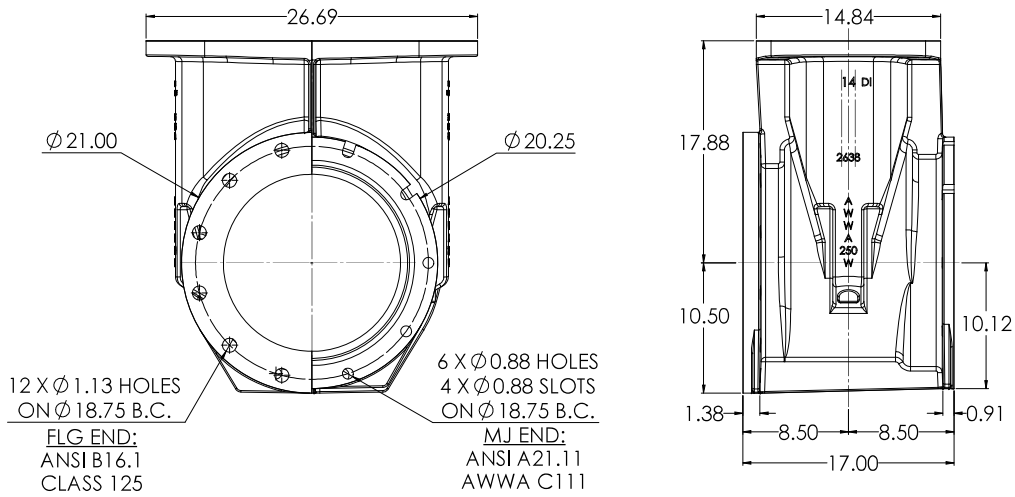
**14" C515 FLG X FLG**



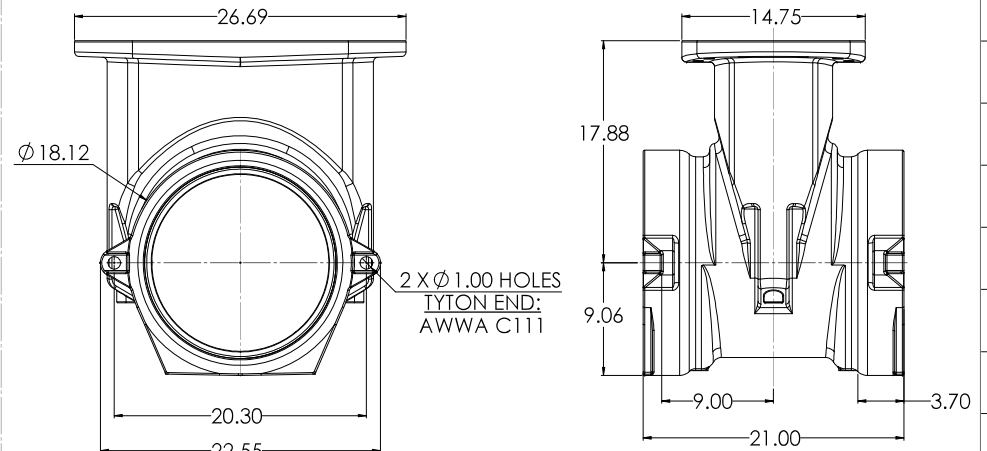
**14" C515 MJ X MJ**



**14" C515 FLG X MJ**

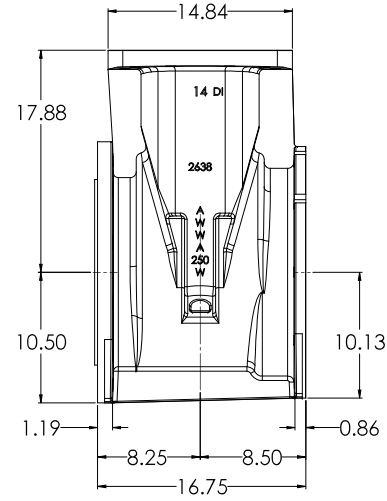
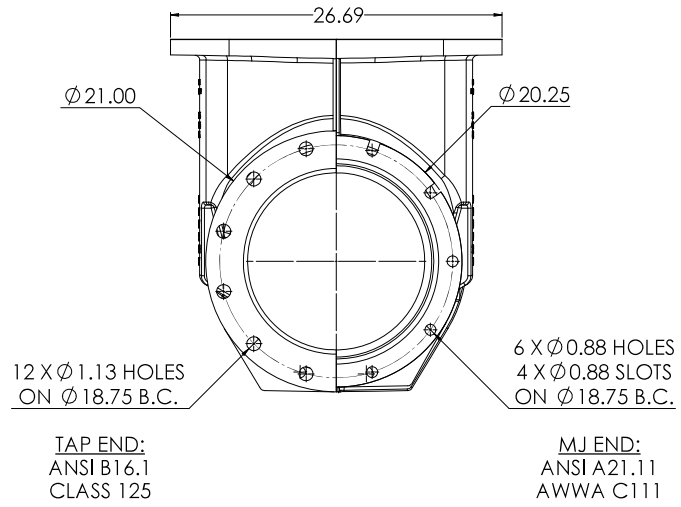


**14" C515 TYTON X TYTON**



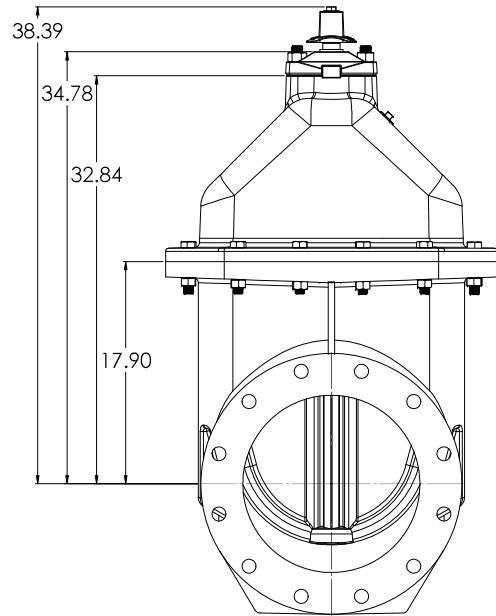
|  |   |  |                                |                             |            |
|--|---|--|--------------------------------|-----------------------------|------------|
| <b>14" C515 NRS RESILIENT WEDGE GATE VALVE</b><br>LBS. |   | 1:5<br>SolisWorks 2016 SP2   |                                |                             |            |
| DATE: 12/29/2016<br>TIME: 10:00 AM<br>USER: CW         | PROJECT: 12/29/2016<br>TIME: 10:00 AM<br>USER: CW | DRAWING NO.: 14" C515 NRS RESILIENT WEDGE GATE VALVE<br>SHEET NO.: 6 | SCALE: 1:5<br>DATE: 12/29/2016 | DRAWN BY: CW<br>CHECKED BY: | APPR'D BY: |

# 14" C515 MJ X TAP

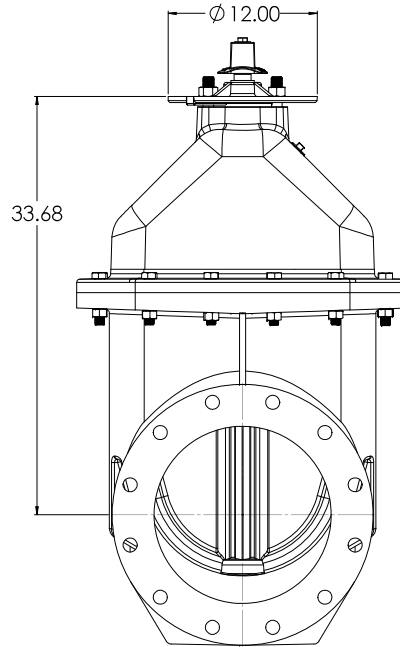


|  |   |  |  |
|--|---|--|--|
| COMPANY: <b>SOLOWORKS</b><br>ADDRESS: 12345 MAIN ST<br>CITY: ANYTOWN, CA 90001<br>PHONE: (555) 123-4567<br>FAX: (555) 987-6543<br>WEBSITE: WWW.SOLOWORKS.COM | PROJECT: <b>14" C515 NRS RESILIENT WEDGE GATE VALVE</b><br>DRAWING NO: <b>LBS-GATE VALVE</b><br>DATE: <b>12/3/2020</b><br>SCALE: <b>1:5</b> | SHEET NO: <b>2</b><br>TOTAL SHEETS: <b>6</b><br>REVISIONS:<br>1. 12/3/2020<br>2. 12/3/2020<br>3. 12/3/2020<br>4. 12/3/2020<br>5. 12/3/2020<br>6. 12/3/2020 | <br><b>SOLOWORKS</b><br>12345 MAIN ST<br>ANYTOWN, CA 90001<br>(555) 123-4567<br>WWW.SOLOWORKS.COM |
|--|---|--|--|

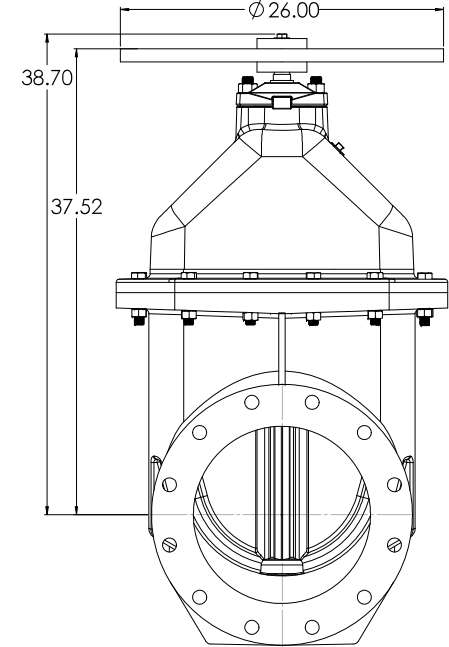
**OPERATING NUT WITH  
O-RING PLATE**



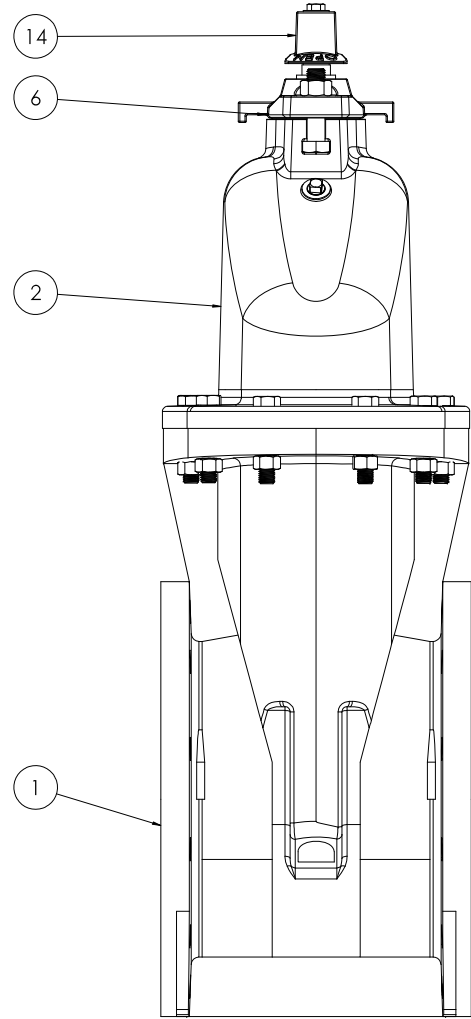
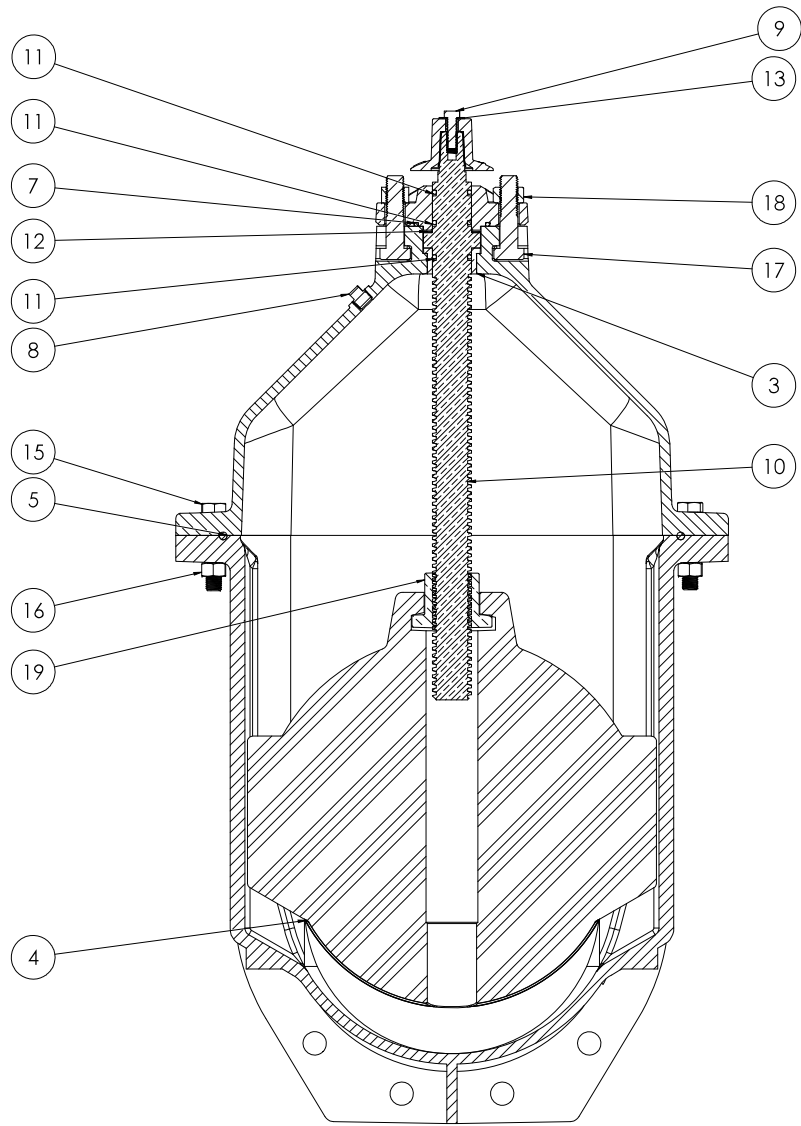
**OPERATING NUT WITH  
INDICATOR POST PLATE**



**HANDWHEEL WITH  
O-RING PLATE**



|   |  |                           |                 |                               |                           |                                       |                               |
|---|--|---------------------------|-----------------|-------------------------------|---------------------------|---------------------------------------|-------------------------------|
| <b>COMPANY</b><br>14" CS18 NRS RESILIENT WEDGE GATE VALVE |  | <b>DATE</b><br>12/20/2020 |                 | <b>SCALE</b><br>T:10          |                           | <b>PROJECT</b><br>SolisWorks 2016 SP2 |                               |
| <b>REV</b><br>1<br>2<br>3<br>4<br>5<br>6                  | <b>DESCRIPTION</b><br>1<br>2<br>3<br>4<br>5<br>6 | <b>DATE</b><br>12/20/2020 | <b>BY</b><br>CW | <b>CHECKED</b><br>[Signature] | <b>DATE</b><br>12/20/2020 | <b>BY</b><br>[Signature]              | <b>CHECKED</b><br>[Signature] |



|  |  |  |  |  |  |  |  |  |  |
|--|--|--|--|--|--|--|--|--|--|
| COMPANY: <b>SOLOWORKS</b><br>ADDRESS: 12000 W. 120th St., Suite 100, Overland Park, KS 66209<br>PHONE: (913) 241-1200<br>FAX: (913) 241-1201<br>WWW: www.soloworks.com |  | DIVISION: <b>VALVES</b><br>PRODUCT: <b>14" CS18 NRS RESILIENT WEDGE GATE VALVE</b><br>SIZE: <b>14"</b><br>WEIGHT: <b>100</b> LBS.<br>MATERIAL: <b>CS18 NRS</b> |  | DATE: <b>12/3/2009</b><br>DRAWN BY: <b>CW</b><br>CHECKED BY: <b>SP</b><br>APPROVED BY: <b>SP</b> |  | SCALE: <b>T:10</b><br>SHEET NO: <b>4</b><br>TOTAL SHEETS: <b>6</b> |  | <br><b>Soloworks 2010 SPZ</b> |  |
|--|--|--|--|--|--|--|--|--|--|

| <u>ITEM NO.</u> | <u>COMPONENT</u>  | <u>QTY.</u> | <u>SIZE</u>      | <u>STANDARD MATERIAL</u> | <u>MATERIAL OPTIONS</u>           |
|-----------------|-------------------|-------------|------------------|--------------------------|-----------------------------------|
| 1               | BODY              | 1           | -                | DUCTILE IRON             | -                                 |
| 2               | COVER             | 1           | -                | DUCTILE IRON             | -                                 |
| 3               | BUSHING           | 1           | -                | C87850                   | -                                 |
| 4               | WEDGE             | 1           | -                | EPDM/DUCTILE IRON        | -                                 |
| 5               | O-RING            | 1           | #463             | EPDM                     | BUNA-N                            |
| 6               | O-RING PLATE      | 1           | -                | DUCTILE IRON             | -                                 |
| 7               | O-RING            | 1           | #339             | EPDM                     | BUNA-N                            |
| 8               | PIPE PLUG         | 1           | 1/2" - NPT       | 304 SS                   | BRASS, 316 SS, STEEL              |
| 9               | HEX HEAD CAPSCREW | 1           | 1/2"-13 X 1 1/2" | 18-8 SS                  | 316 SS                            |
| 10              | STEM              | 1           | 1 7/8"           | C86700                   | C99500 (LOW ZINC), 304 SS, 316 SS |
| 11              | O-RING            | 3           | #325             | EPDM                     | BUNA-N                            |
| 12              | THRUST WASHER     | 1           | -                | NYLATRON                 | -                                 |
| 13              | WASHER            | 1           | 1/2"             | 18-8 SS                  | 316 SS                            |
| 14              | OPERATING NUT     | 1           | -                | CAST IRON                | DUCTILE IRON, C86700              |
| 15              | HEX HEAD CAPSCREW | 12          | 3/4"-10 X 3 3/4" | 18-8 SS                  | 316 SS                            |
| 16              | HEX NUT           | 12          | 3/4"-10          | 18-8 SS                  | 316 SS                            |
| 17              | HEX HEAD CAPSCREW | 2           | 7/8"-9 X 3 1/2"  | 18-8 SS                  | 316 SS                            |
| 18              | HEX NUT           | 2           | 7/8"-9           | 18-8 SS                  | 316 SS                            |
| 19              | STEM NUT          | 1           | -                | C87850                   | C99500 (LOW ZINC)                 |

- VALVES CONFORM WITH THE FOLLOWING STANDARDS
  - AWWA C515
  - NSF 61
- LOW ZINC BRASS STEM AND STEM NUT AVAILABLE
- 100% DOMESTIC FASTENERS AND ORINGS OPTIONS AVAILABLE
- *OPEN LEFT* (COUNTERCLOCKWISE) AND *OPEN RIGHT* (CLOCKWISE) OPTIONS AVAILABLE
- TURNS TO OPEN FROM FULLY CLOSED: 52
- AWWA MAXIMUM ALLOWABLE CLOSING TORQUE 750 FT-LBS
- OPTIONAL HANDWHEEL CAN BE SUBSTITUTED FOR STANDARD 2" SQUARE OP. NUTS.
  - **\*\*NOTE: STANDARD HANDWHEEL SIZE LISTED OUT IN PARTS LIST.\*\***

|   |  |   |   |
|---|--|---|---|
| <small>           COMPANY: 14" CS15 NRS RESILIENT WEDGE GATE VALVE<br/>           PROJECT: 14" CS15 NRS RESILIENT WEDGE GATE VALVE<br/>           DATE: 12/3/2020<br/>           DRAWN BY: T10<br/>           CHECKED BY: CW<br/>           APPROVED BY:         </small> |  | <small>           SHEET NO: 5<br/>           TOTAL SHEETS: 6<br/>           SCALE:         </small> |  |
|---|--|---|---|