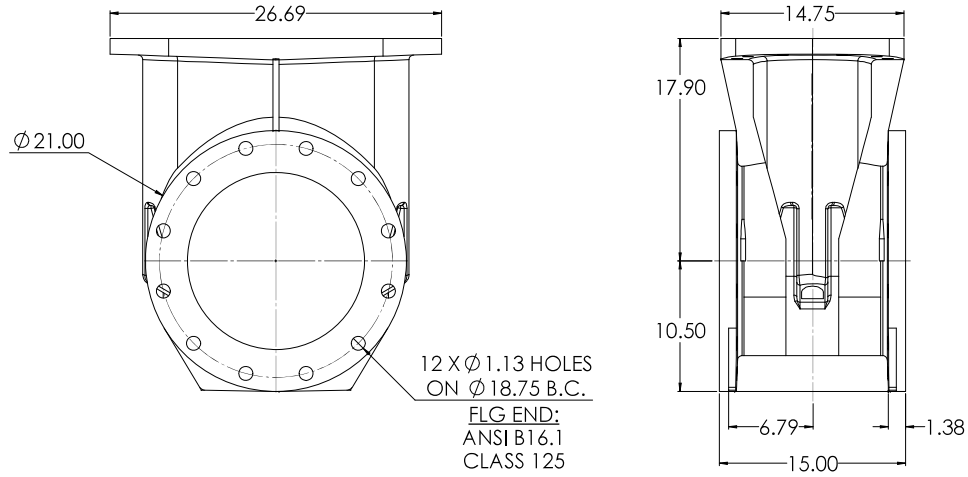
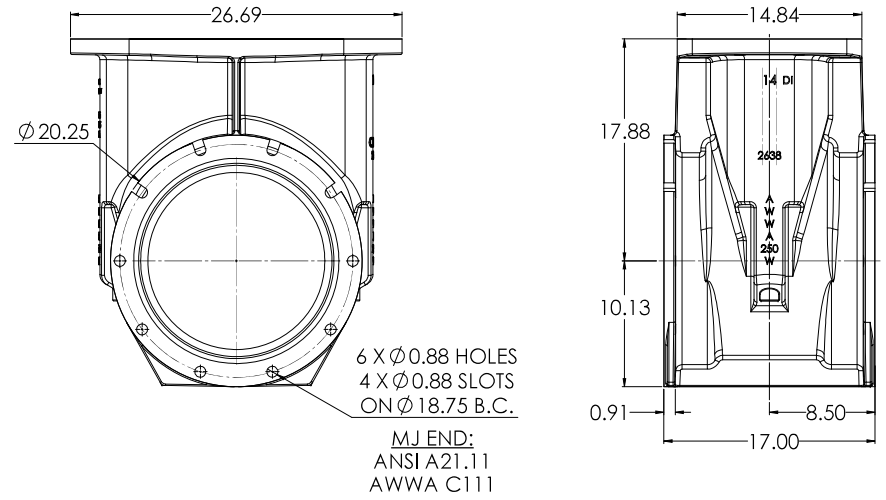


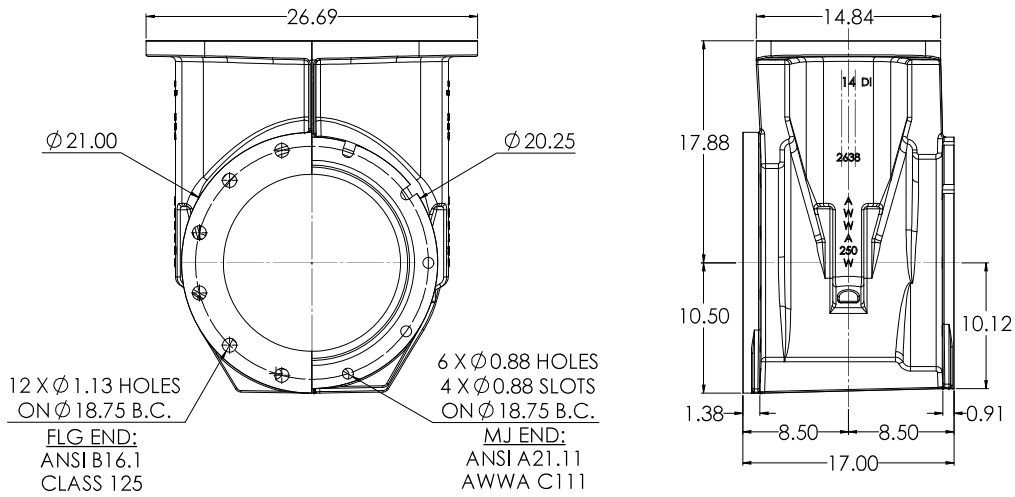
14" C515 FLG X FLG



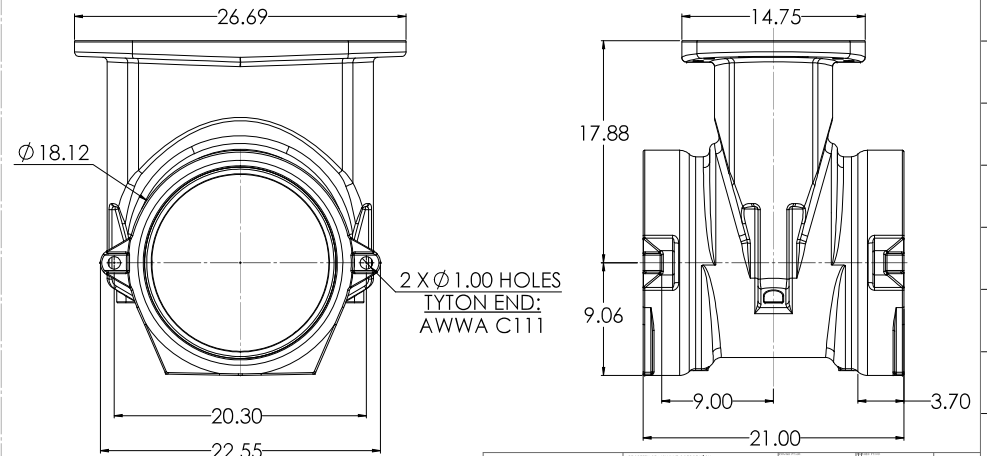
14" C515 MJ X MJ



14" C515 FLG X MJ

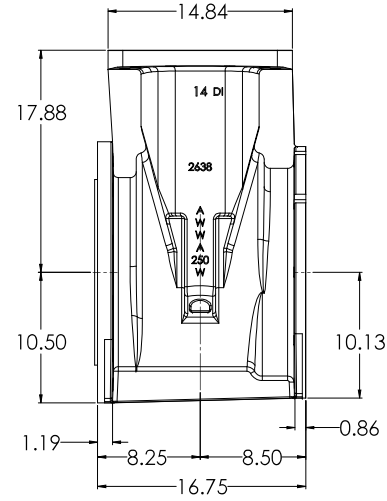
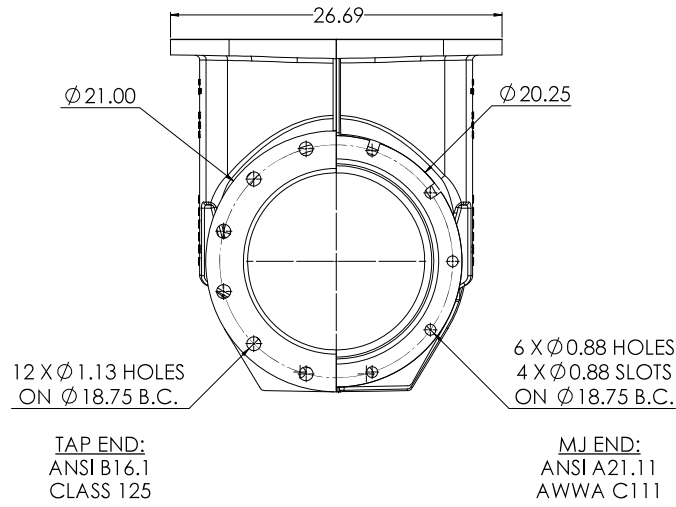


14" C515 TYTON X TYTON



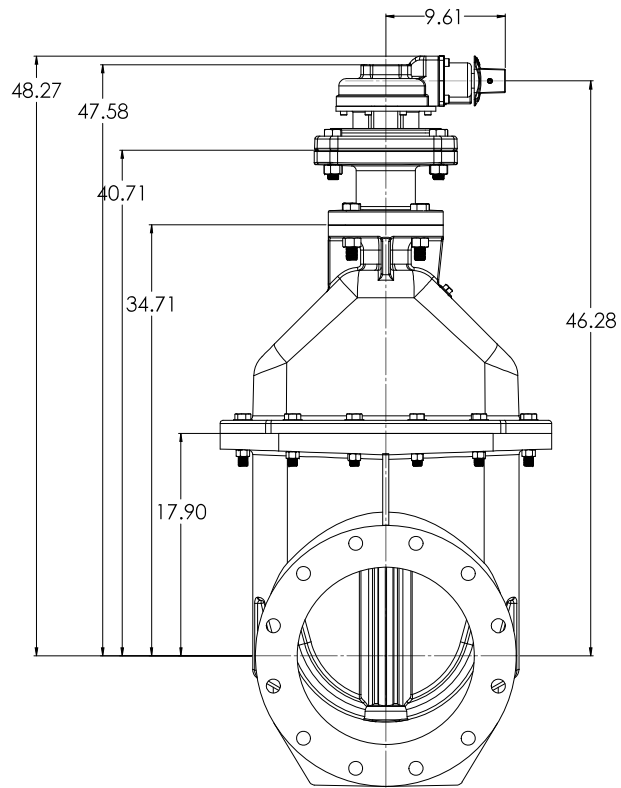
14" C515 NRS GEARED RESILIENT WEDGE GATE VALVE		14" C515 NRS GEARED RESILIENT WEDGE GATE VALVE	
DATE: 12/20/2020 DWG NO: 1220/2020 DESIGNED BY: [Name] CHECKED BY: [Name]	DATE: 12/20/2020 DWG NO: 1220/2020 DESIGNED BY: [Name] CHECKED BY: [Name]	SCALE: 1:5 SHEET NO: 8 TOTAL SHEETS: 8	SCALE: 1:5 SHEET NO: 8 TOTAL SHEETS: 8

14" C515 MJ X TAP

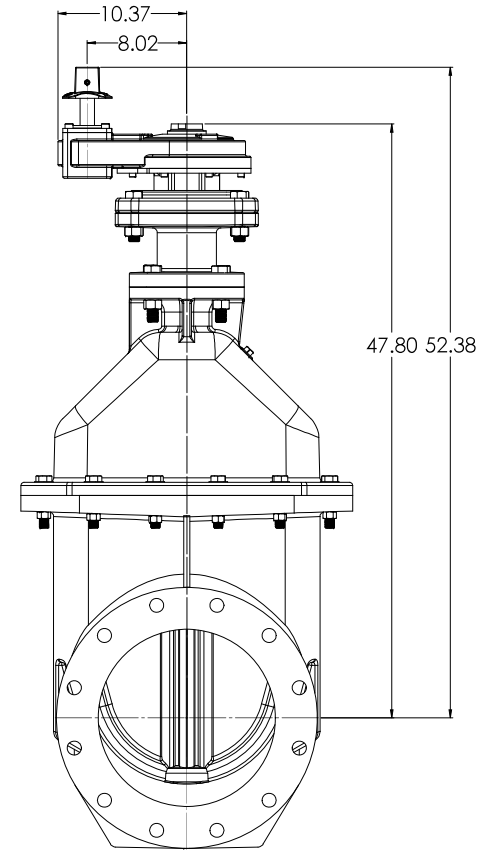


COMPANY: SWISS VALVE ADDRESS: 11111 W. 111th St., Overland Park, KS 66213 PHONE: (913) 666-1111 FAX: (913) 666-1112 WEBSITE: www.swissvalve.com	PROJECT: 14" C515 NRS GEARED RESILIENT WEDGE GATE VALVE DRAWING NO: LBS-2 DATE: 12/3/2020	SCALE: 1:5 SHEET NO: 8 TOTAL SHEETS: 8	
--	--	---	--

BEVEL GEAR WITH OPERATING NUT

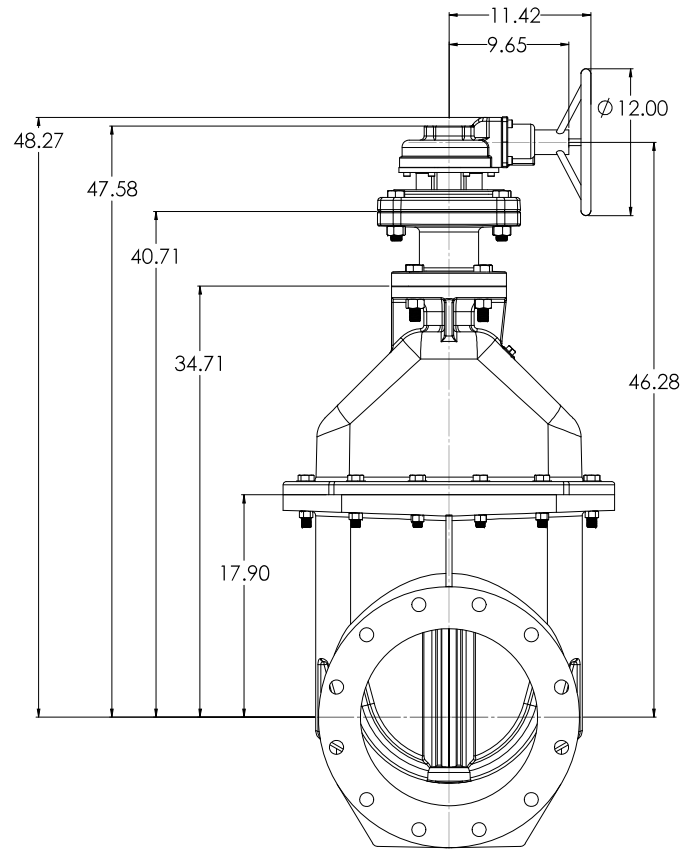


SPUR GEAR WITH OPERATING NUT

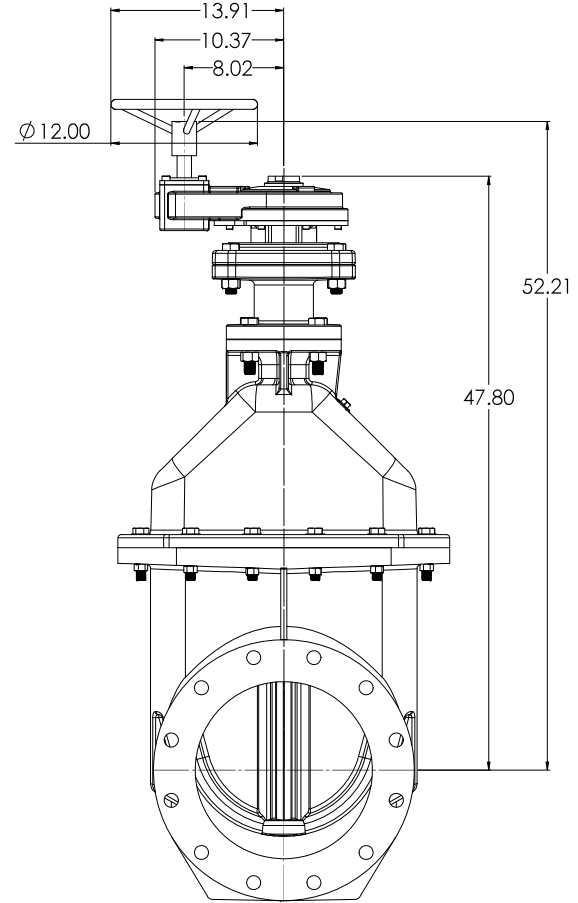


WILSON JOHNSON & COMPANY 14" CS15 NRS GEARED RESILIENT WEDGE GATE VALVE		14" CS15 NRS GEARED RESILIENT WEDGE GATE VALVE LBS.		3 8	
DATE: 12/15/2020 DWG NO: 21007 REV: 1 DESIGNED BY: CW CHECKED BY:	PROJECT NO: 12345678 PROJECT NAME:	SCALE: T:10 SHEET NO: 8	DATE: 12/15/2020	DRAWN BY:	CHECKED BY:

BEVEL GEAR WITH HANDWHEEL

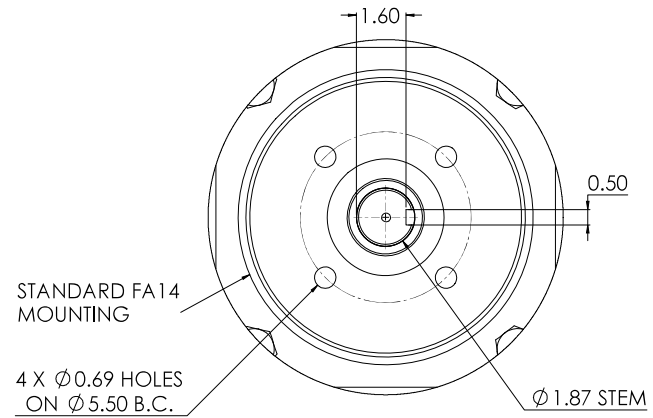
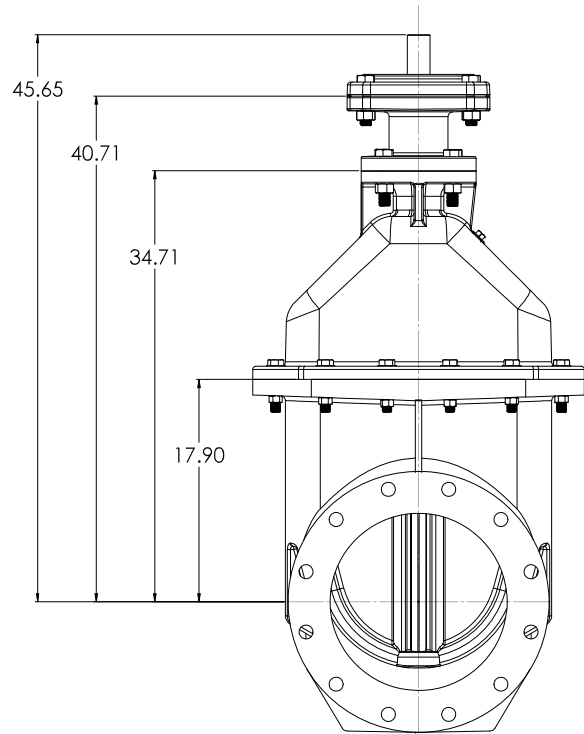


SPUR GEAR WITH HANDWHEEL



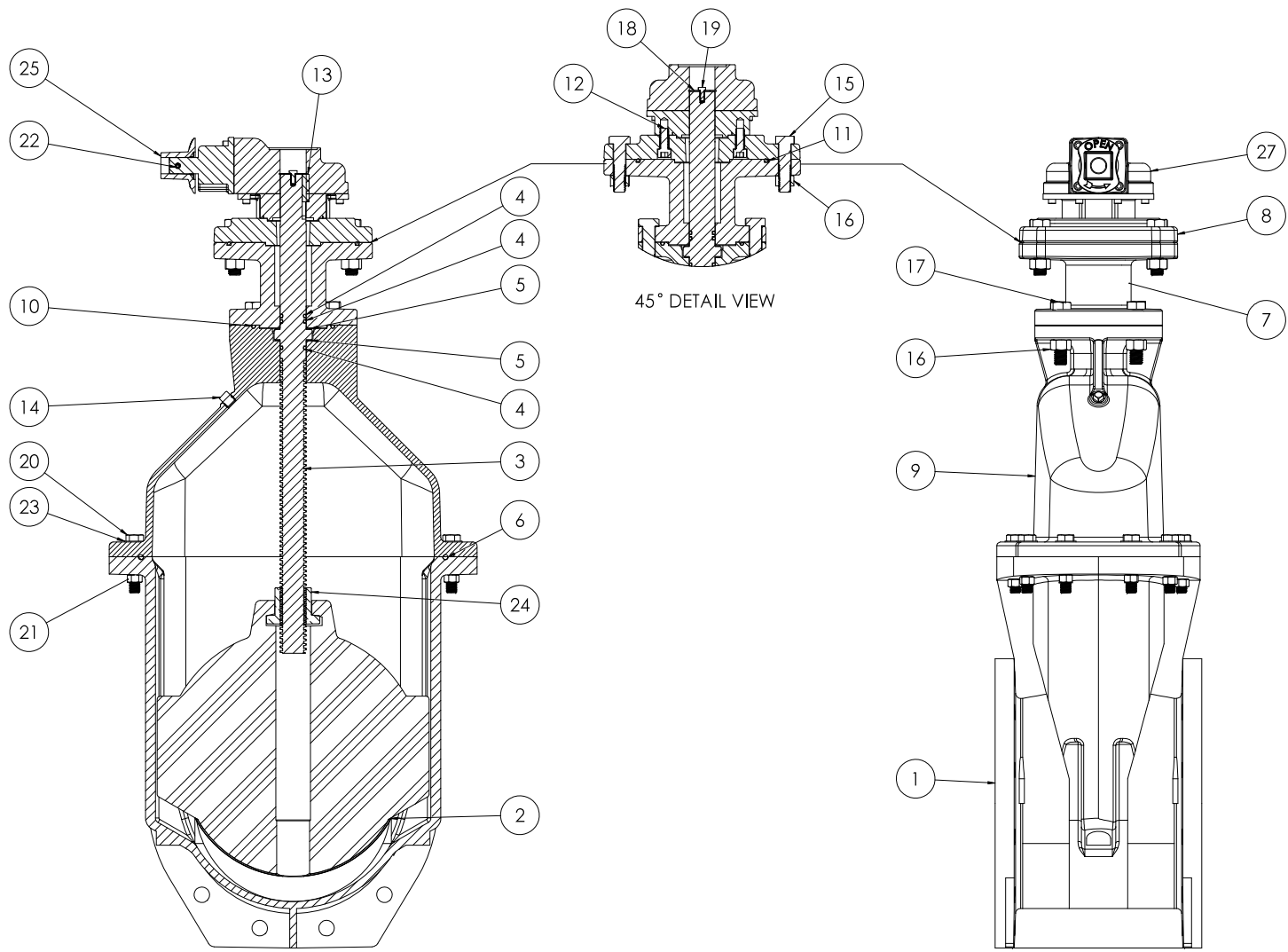
WEDGEMASTER 14" CS15 NRS GEARED RESILIENT WEDGE GATE VALVE		14" CS15 NRS GEARED RESILIENT WEDGE GATE VALVE		
DATE: 11/20/2018 DWG NO: 21047 REV: 01 DESIGNED BY: J. W. WILSON CHECKED BY: J. W. WILSON	APPROVED BY: J. W. WILSON DATE: 11/20/2018	SCALE: 1:1 SHEET NO: 1 OF 1	PROJECT NO: 1228/2020 TIT: 1:10 DRAWN BY: J. W. WILSON	

BARE STEM



BARE STEM MOUNTING FLG

COMPANY: SWISS VALVE COMPANY ADDRESS: 12345 INDUSTRIAL BLVD., SUITE 100, CHICAGO, IL 60601 PHONE: (773) 555-1234 FAX: (773) 555-5678 WWW: WWW.SWISSVALVE.COM		PROJECT: 14" CS18 NRS GEARED RESILIENT WEDGE GATE VALVE LBS: 1000 T: T10		 SWISS VALVE COMPANY 5 8
DATE: 12/15/2020 DRAWN BY: J. SMITH CHECKED BY: M. JONES APPROVED BY: D. BROWN	REV: 1 DESCRIPTION: BARE STEM MOUNTING FLG QUANTITY: 1	MATERIAL: CS18 FINISH: AS SUPPLIED TOLERANCES: SEE DWG	SCALE: 1:1 SHEET NO: 8 TOTAL SHEETS: 8	



14" CS15 NRS GEARED RESILIENT WEDGE GATE VALVE 14" CS15 NRS GEARED RESILIENT WEDGE GATE VALVE		14" CS15 NRS GEARED RESILIENT WEDGE GATE VALVE 14" CS15 NRS GEARED RESILIENT WEDGE GATE VALVE		14" CS15 NRS GEARED RESILIENT WEDGE GATE VALVE 14" CS15 NRS GEARED RESILIENT WEDGE GATE VALVE	
DATE: 12/05/2008 DWG NO: 21007 REV: 1 DESIGNED BY: [Name] CHECKED BY: [Name]	PROJECT: [Name] DRAWING NO: 21007 REV: 1 DATE: 12/05/2008	SCALE: T:10 SHEET NO: 6 TOTAL SHEETS: 8	MATERIAL: LBS WEIGHT: 1000	MANUFACTURER: SolerWorks 2016 SP2	 M&M VALVE COMPANY 6 8

<u>ITEM NO.</u>	<u>COMPONENT</u>	<u>QTY.</u>	<u>SIZE</u>	<u>STANDARD MATERIAL</u>	<u>MATERIAL OPTIONS</u>
1	BODY	1	-	DUCTILE IRON	-
2	WEDGE	1	WEDGE	EPDM/DUCTILE IRON	-
3	STEM	1	-	C86700	C9950 (LOW ZINC) 304 SS, 316 SS
4	O-RING	3	#325	EPDM	BUNA-N
5	THRUST WASHER	2	-	ACETAL	C26000
6	O-RING	1	#463	EPDM	BUNA-N
7	EXTENSION PLATE	1	-	DUCTILE IRON	-
8	ADAPTER PLATE	1	-	DUCTILE IRON	-
9	COVER	1	-	DUCTILE IRON	-
10	O-RING	1	#433	EPDM	BUNA-N
11	O-RING	1	#447	EPDM	BUNA-N
12	SOCKET HEAD CAPSCREW	4	5/8"-11 X 1 1/2"	18-8 SS	316 SS
13	KEY	1	1/2" X 2"	18-8 SS	316 SS
14	PIPE PLUG	1	1/2" - NPT	18-8 SS	316 SS
15	HED HEAD CAPSCREW	4	7/8"-9 X 3 1/2"	18-8 SS	316 SS
16	HEX NUT	8	7/8"-9	18-8 SS	316 SS
17	HEX HEAD CAPSCREW	4	7/8"-9 X 4"	18-8 SS	316 SS
18	FENDER WASHER	1	5/16" X 2"	18-8 SS	316 SS
19	HEX HEAD CAPSCREW	1	5/16"-18 X 3/4"	18-8 SS	316 SS
20	HEX HEAD CAPSCREW	12	3/4"-10 X 3 3/4"	18-8 SS	316 SS
21	HEX NUT	12	5/8"-11	18-8 SS	316 SS
22	COILED SPRING PIN	1	10mm X 45mm	302/304 SS	-
23	FLAT WASHER	12	3/4"	18-8 SS	316 SS
24	STEM NUT	1	-	C87850	C99500 (LOW ZINC)
25	OPERATING NUT	1	-	CAST IRON	C86700, DUCTILE IRON **Ø 12" HANDWHEEL**
26	BEVEL GEAR	1	-	-	SPUR GEAR

- VALVES CONFORM WITH THE FOLLOWING STANDARDS
 - AWWA C515
 - NSF 61
- LOW ZINC BRASS STEM AND STEM NUT AVAILABLE
- 100% DOMESTIC FASTENERS AND ORINGS OPTIONS AVAILABLE
- *OPEN LEFT* (COUNTERCLOCKWISE) AND *OPEN RIGHT* (CLOCKWISE) OPTIONS AVAILABLE
- TURNS TO OPEN FROM FULLY CLOSED: 104
- AWWA MAXIMUM ALLOWABLE CLOSING TORQUE 250 FT-LBS
- OPTIONAL HANDWHEEL CAN BE SUBSTITUTED FOR STANDARD 2" SQUARE OP. NUTS.
 - **NOTE: STANDARD HANDWHEEL SIZE LISTED OUT IN PARTS LIST.**

14" CS15 NRS GEARED RESILIENT WEDGE GATE VALVE <small>14" CS15 NRS GEARED RESILIENT WEDGE GATE VALVE</small>		
<small>DATE: 12/2/2020</small> <small>TIME: 10:00 AM</small> <small>BY: [Signature]</small>	<small>REV: 1</small> <small>DATE: 12/2/2020</small> <small>BY: [Signature]</small>	<small>SCALE: 1" = 1'-0"</small> <small>DATE: 12/2/2020</small> <small>BY: [Signature]</small>
<small>PROJECT: [Project Name]</small> <small>CW 12/2/2020</small>	<small>T:10</small>	<small>8</small> <small>D</small>