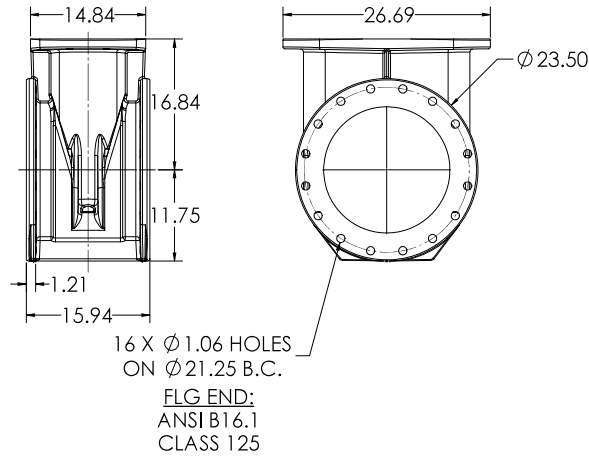
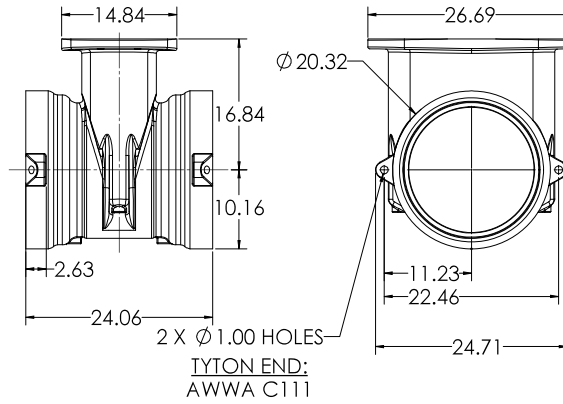


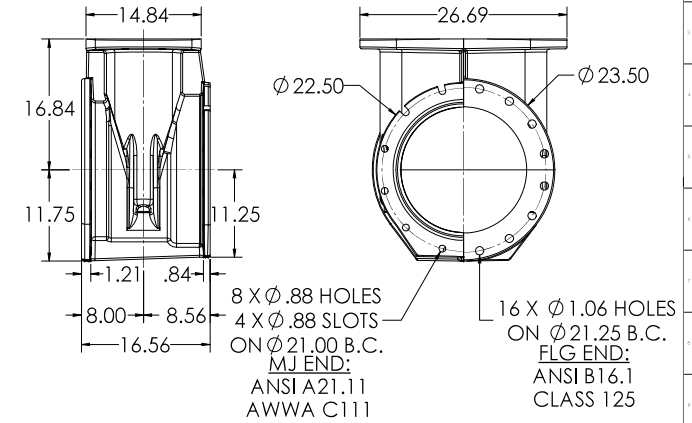
16" C515 FLG X FLG



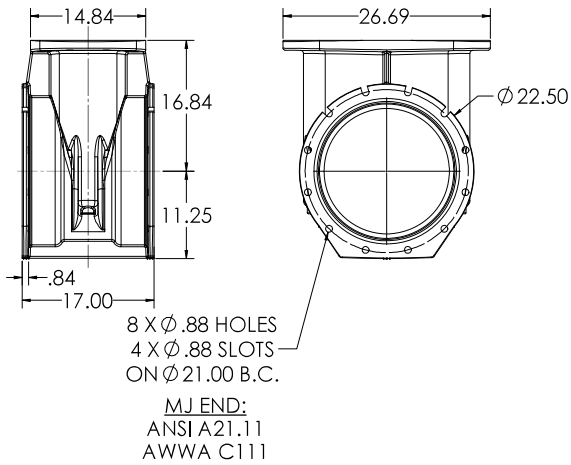
16" C515 TYTON X TYTON



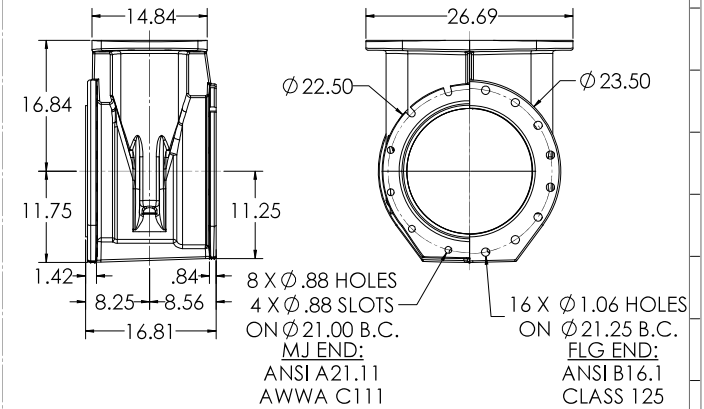
16" C515 MJ X FLG



16" C515 MJ X MJ

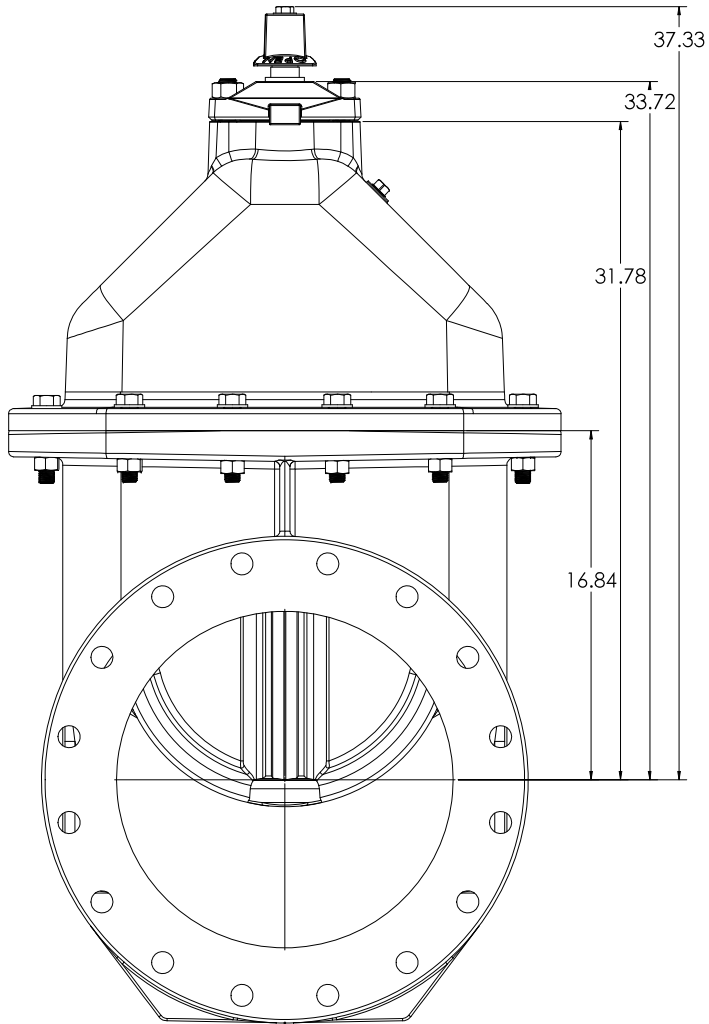


16" C515 MJ X TAP

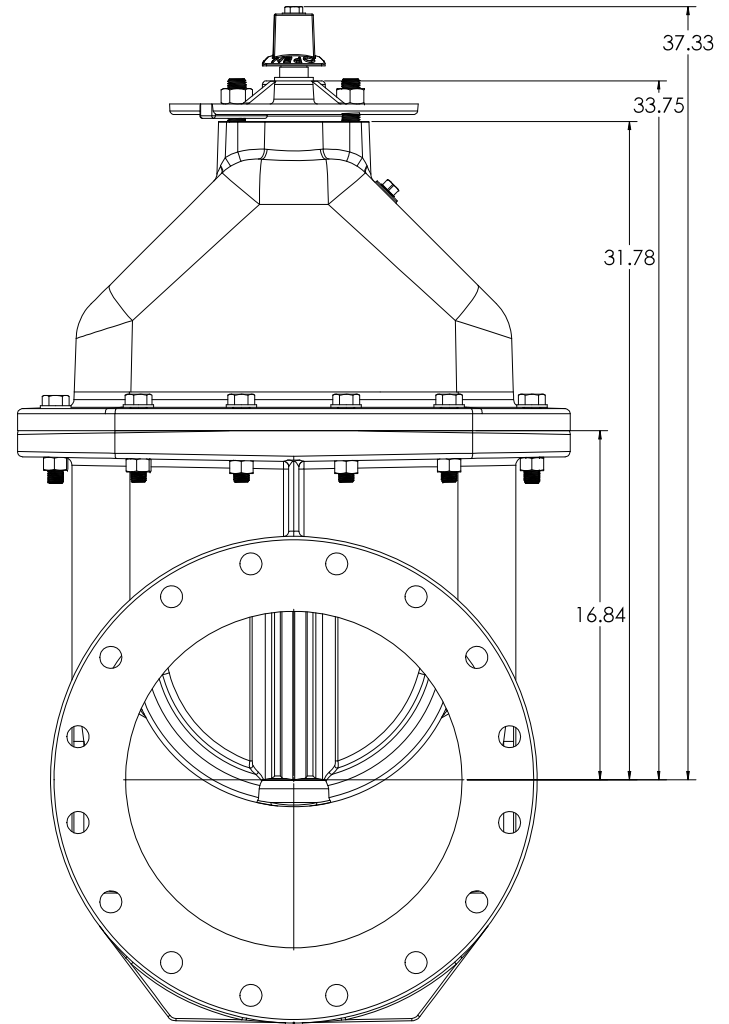


16" C515 NRS RESILIENT WEDGE GATE VALVE LBS. GATE VALVE		16" C515 NRS RESILIENT WEDGE GATE VALVE LBS. GATE VALVE		
DATE: 12/24/2020 DWG NO: 1224/2020	REV: 01 DATE: 12/24/2020 DWG NO: 1224/2020	PROJECT: 16" C515 NRS RESILIENT WEDGE GATE VALVE SHEET NO: 6	PROJECT: 16" C515 NRS RESILIENT WEDGE GATE VALVE SHEET NO: 6	DATE: 12/24/2020 DWG NO: 1224/2020

**OPERATING NUT WITH
O-RING PLATE**

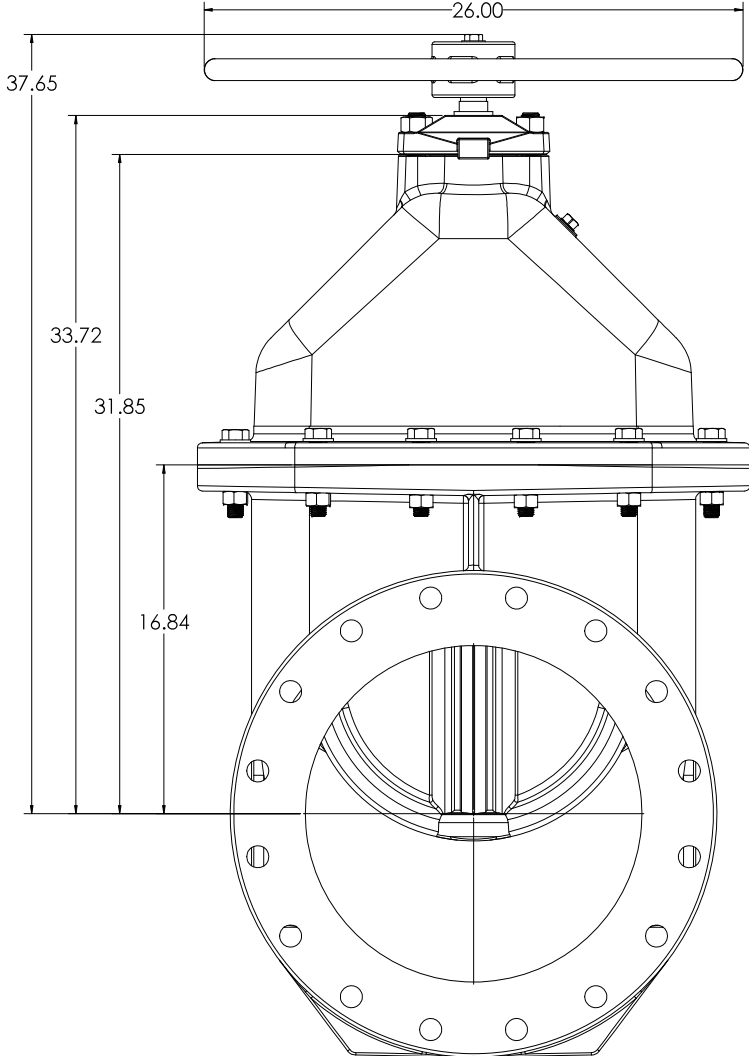


**OPERATING NUT WITH INDICATOR
POST PLATE**

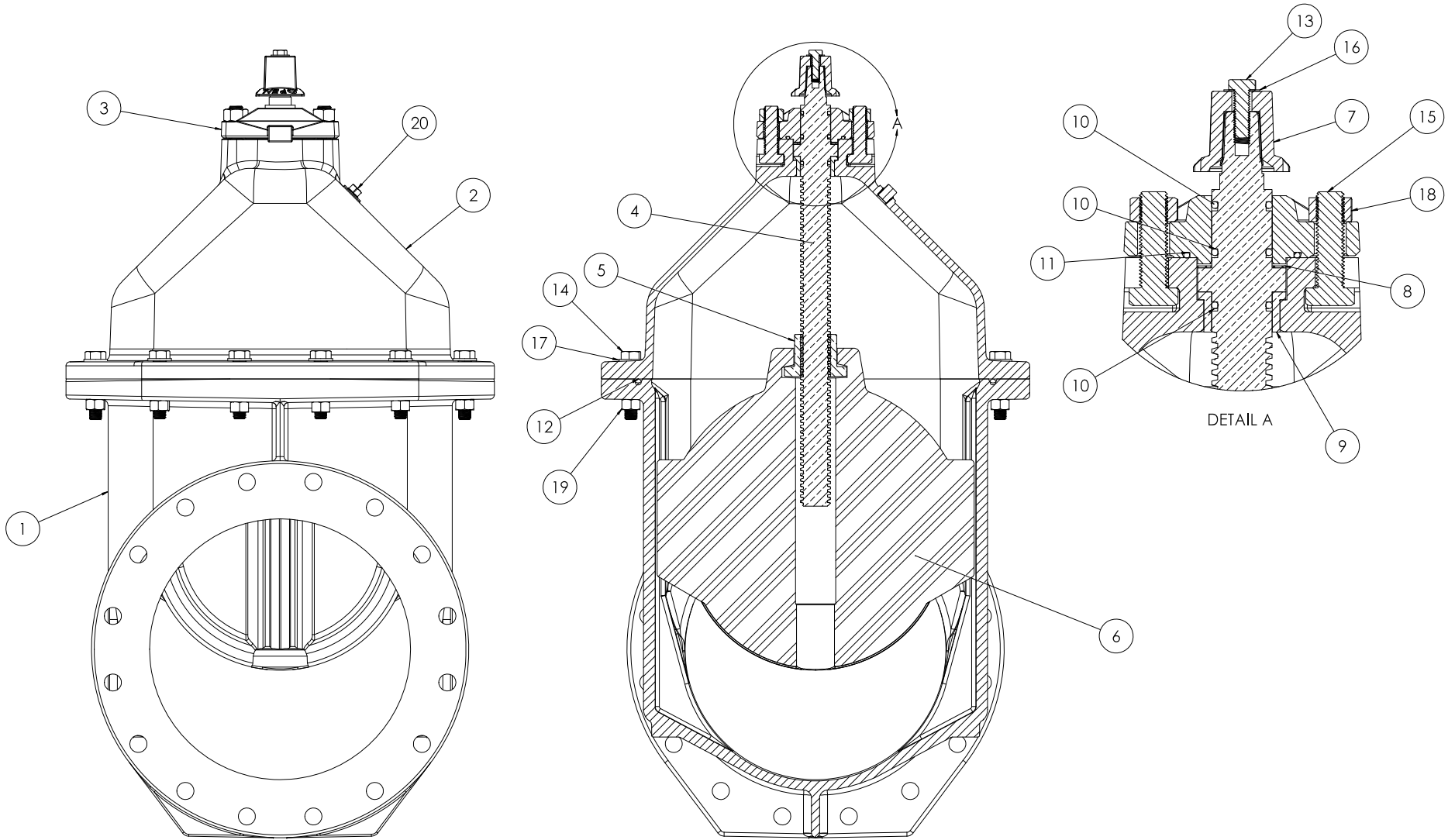


COMPANY: 16" GATE VALVE PART: OPERATING NUT WITH O-RING PLATE DATE: 12/4/2009		DRAWN BY: CW CHECKED BY: 12/4/2009 SCALE: 1:3		MATERIAL: 16" CS18 NRS RESILIENT WEDGE WEIGHT: LBS. QUANTITY: 6		SHEET: 2 TOTAL SHEETS: 6		PROJECT: SoloWorks 2016 SP2 DRAWING NO: D	
--	--	--	--	--	--	---	--	--	--

HANDWHEEL WITH O-RING PLATE



SWISS <small>Engineering & Construction Services</small>		<small>16' CS18 NRS RESILIENT WEDGE</small>		 <small>MEMBER COMPANY</small> 3 <small>OF 6</small>
<small>DATE</small> 11/20/2020 <small>BY</small> J. H. B. <small>CHKD</small> J. H. B. <small>APPROV</small> J. H. B. <small>SCALE</small> 1:3	<small>PROJECT</small> 12/24/2020 <small>CLIENT</small> CW <small>LOCATION</small> 12/24/2020	<small>DESCRIPTION</small> 16' CS18 NRS RESILIENT WEDGE <small>UNIT</small> LBS. <small>SCALE</small> 1:3 <small>DATE</small> 12/24/2020		



16" CS18 NRS RESILIENT WEDGE GATE VALVE 16" CS18 NRS RESILIENT WEDGE GATE VALVE		16" CS18 NRS RESILIENT WEDGE GATE VALVE 16" CS18 NRS RESILIENT WEDGE GATE VALVE		16" CS18 NRS RESILIENT WEDGE GATE VALVE 16" CS18 NRS RESILIENT WEDGE GATE VALVE	
DATE: 12/24/2020 DWG NO: 21002 REV: 1 SCALE: 1:3 SHEET NO: 6	PROJECT NO: 1224/2020 PROJECT NAME: 16" CS18 NRS RESILIENT WEDGE GATE VALVE DRAWN BY: CW CHECKED BY:	PART NO: 16" CS18 NRS RESILIENT WEDGE GATE VALVE WEIGHT: 135 LBS MATERIAL: CS18 NRS FINISH: POLISHED	MANUFACTURER: SolidWorks 2018 SP2 DATE: 12/24/2020 SCALE: 1:3 SHEET NO: 6	TITLE: 16" CS18 NRS RESILIENT WEDGE GATE VALVE SHEET NO: 6 TOTAL SHEETS: 6	

<u>ITEM NO.</u>	<u>COMPONENT</u>	<u>QTY.</u>	<u>DRAWING NUMBER</u>	<u>SIZE</u>	<u>STANDARD MATERIAL</u>	<u>MATERIAL OPTIONS</u>
1	BODY	1	D-20818, D-20819, D-20820, D-20821, D-20194, D-21519, D-22768, D-23193, D-23473	-	DUCTILE IRON	-
2	COVER	1	D-20822	-	DUCTILE IRON	-
3	O-RING PLATE	1	A-23157	-	DUCTILE IRON	-
4	STEM	1	B-20824, B-23485	1 7/8"	C86200	C99500 (LOW ZINC), 304 SS, 316 SS
5	STEM NUT	1	C-20157	-	C87850	C87610 (LOW ZINC)
6	WEDGE	1	D-22089	-	EPDM	-
7	OPERATING NUT	1	D-11243	-	CAST IRON	**26IN HANDWHEEL**
8	THRUST WASHER	1	A-24111	-	NYLATRON	-
9	BUSHING	1	A-23632	-	C87850	-
10	O-RING	3	A-23792	#325	EDPM	BUNA-N
11	O-RING	1	A-23781	#339	EDPM	BUNA-N
12	O-RING	1	A-23741	#463	EDPM	BUNA-N
13	HEX HEAD CAP SCREW	1	A-24028	1/2"-13 X 1 1/2"	18-8 SS	316 SS
14	HEX HEAD CAP SCREW	12	A-23981	3/4"-10 X 3 3/4"	18-8 SS	316 SS
15	HEX HEAD CAP SCREW	2	A-23974	7/8"-9 X 3 1/2"	18-8 SS	316 SS
16	WASHER	1	A-23652	1/2"	18-8 SS	316 SS
17	WASHER	12	A-23644	3/4"	18-8 SS	316 SS
18	HEX NUT	2	A-23849	7/8"-9	18-8 SS	316 SS
19	HEX NUT	12	A-23852	3/4"-10	18-8 SS	316 SS
20	PIPE PLUG	1	A-23674	1/2" - NPT	304 SS	316 SS

- VALVES CONFORM WITH FOLLOWING STANDARDS
 - AWWA C515
 - NSF 61
- LOW ZINC BRASS STEM AND STEM NUT AVAILABLE
- 100% DOMESTIC FASTENER AND O-RING OPTIONS AVAILABLE
- OPEN LEFT (COUNTERCLOCKWISE) AND OPEN RIGHT (CLOCKWISE) OPTIONS AVAILABLE
- TURNS TO OPEN FROM FULLY CLOSED: 52 (+/- 5%)
- AWWA MAXIMUM ALLOWABLE CLOSING TORQUE 750 FT-LBS
- OPTIONAL HANDWHEEL CAN BE SUBSTITUTED FOR STANDARD 2" SQUARE OP NUTS
 - **NOTE: STANDARD HANDWHEEL SIZE CALLED OUT IN PARTS LIST**

COMPANY: SOLOWORKS ADDRESS: 1224 W. 12TH AVE., SUITE 100, DENVER, CO 80202 PHONE: 303.733.8800 FAX: 303.733.8801 WWW: www.soloworks.com	PROJECT: 16" CS18 NRS RESILIENT WEDGE GATE VALVE DATE: 12/24/2020 DRAWN BY: CS CHECKED BY: CS APPROVED BY: CS	SHEET: 5 TOTAL SHEETS: 6 SCALE: 1:3 PROJECT NO: 2016 SP2	
---	---	---	---