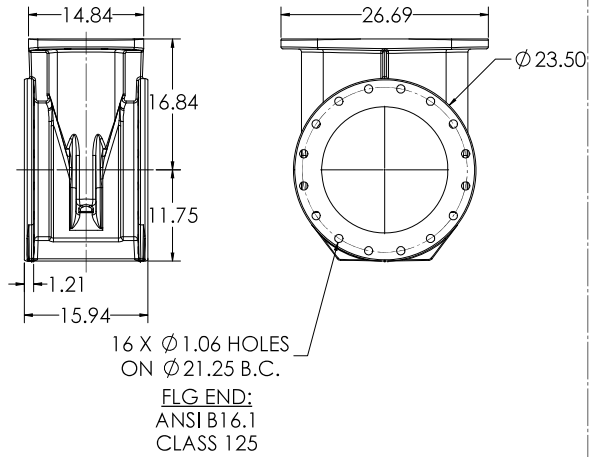
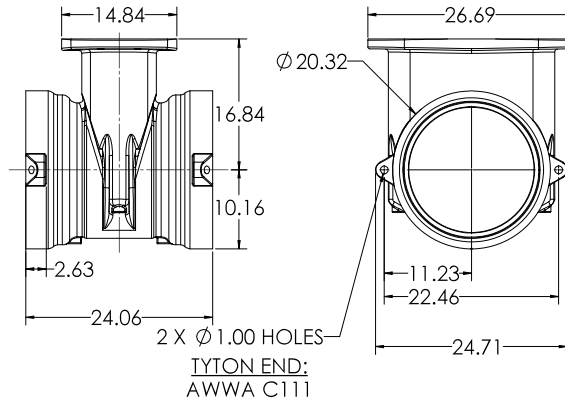


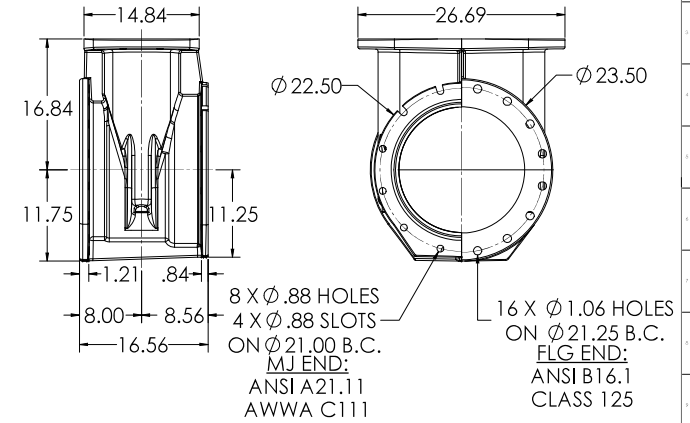
**16" C515 FLG X FLG**



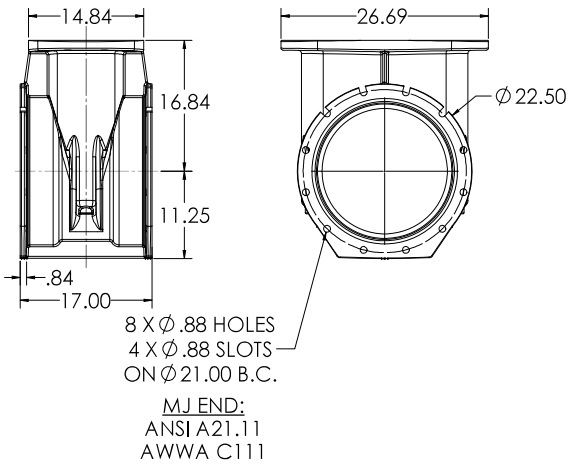
**16" C515 TYTON X TYTON**



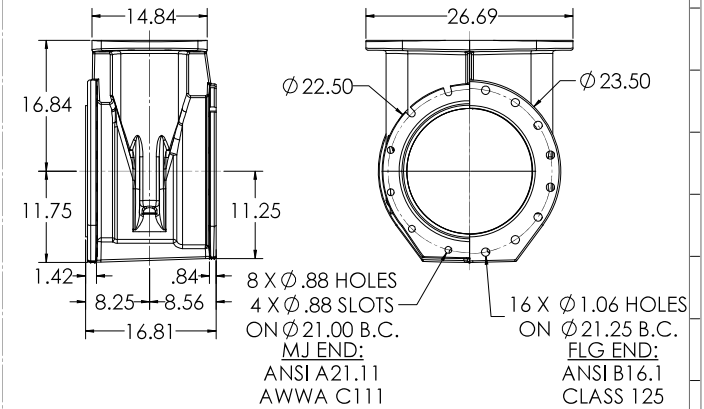
**16" C515 MJ X FLG**



**16" C515 MJ X MJ**

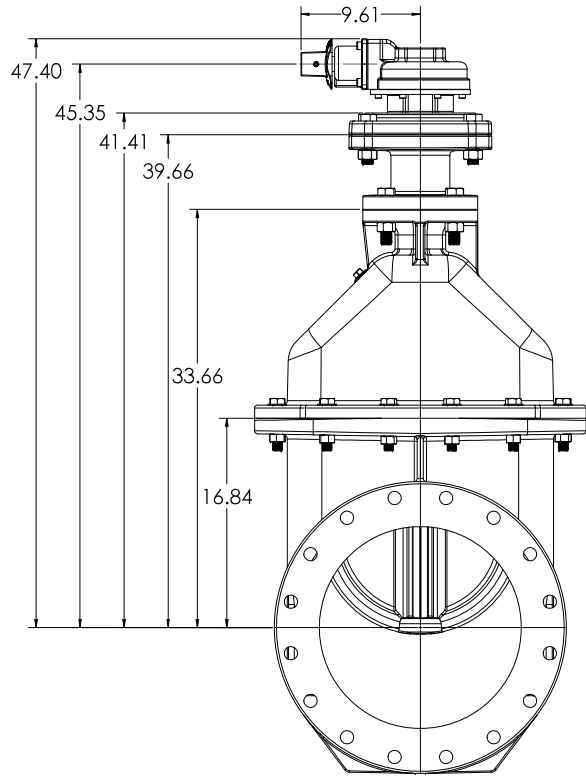


**16" C515 MJ X TAP**

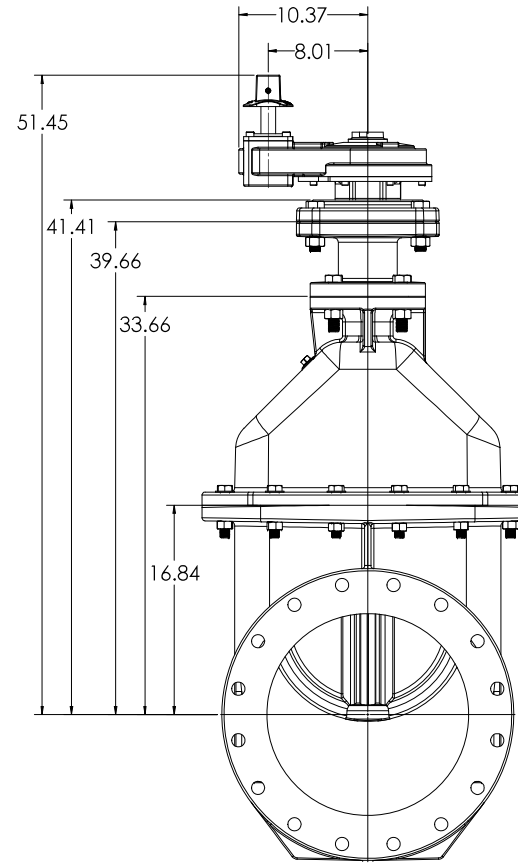


COMPANY: <b>WILSON-JONES VALVE CO.</b> ADDRESS: <b>1000 W. 10th St., Tulsa, OK 74103</b> PHONE: <b>918-436-2000</b> FAX: <b>918-436-2001</b> E-MAIL: <b>sales@wjvco.com</b> WEBSITE: <b>www.wjvco.com</b>	DRAWING NO.: <b>16" C515 NRS GEARED RESILIENT WEDGE GATE VALVE</b> REV: <b>7</b> DATE: <b>12/29/2020</b> DWG. NO.: <b>16" C515 NRS GEARED RESILIENT WEDGE GATE VALVE</b> REV: <b>7</b> DATE: <b>12/29/2020</b>	SCALE: <b>1:1</b> SHEET NO.: <b>7</b> TOTAL SHEETS: <b>7</b> PROJECT NO.: <b>16" C515 NRS GEARED RESILIENT WEDGE GATE VALVE</b> PROJECT NAME: <b>16" C515 NRS GEARED RESILIENT WEDGE GATE VALVE</b> PROJECT LOCATION: <b>T8</b> PROJECT DESCRIPTION: <b>16" C515 NRS GEARED RESILIENT WEDGE GATE VALVE</b> PROJECT NUMBER: <b>16" C515 NRS GEARED RESILIENT WEDGE GATE VALVE</b> PROJECT DATE: <b>12/29/2020</b> PROJECT STATUS: <b>16" C515 NRS GEARED RESILIENT WEDGE GATE VALVE</b> PROJECT TYPE: <b>16" C515 NRS GEARED RESILIENT WEDGE GATE VALVE</b> PROJECT CODE: <b>16" C515 NRS GEARED RESILIENT WEDGE GATE VALVE</b> PROJECT CATEGORY: <b>16" C515 NRS GEARED RESILIENT WEDGE GATE VALVE</b> PROJECT SUB-CATEGORY: <b>16" C515 NRS GEARED RESILIENT WEDGE GATE VALVE</b> PROJECT PHASE: <b>16" C515 NRS GEARED RESILIENT WEDGE GATE VALVE</b> PROJECT STATUS: <b>16" C515 NRS GEARED RESILIENT WEDGE GATE VALVE</b> PROJECT TYPE: <b>16" C515 NRS GEARED RESILIENT WEDGE GATE VALVE</b> PROJECT CODE: <b>16" C515 NRS GEARED RESILIENT WEDGE GATE VALVE</b> PROJECT CATEGORY: <b>16" C515 NRS GEARED RESILIENT WEDGE GATE VALVE</b> PROJECT SUB-CATEGORY: <b>16" C515 NRS GEARED RESILIENT WEDGE GATE VALVE</b> PROJECT PHASE: <b>16" C515 NRS GEARED RESILIENT WEDGE GATE VALVE</b>	WJVC WILSON-JONES VALVE CO. 1000 W. 10th St. Tulsa, OK 74103 918-436-2000 918-436-2001 sales@wjvco.com www.wjvco.com
--	---	--	---

### BEVEL GEAR WITH OPERATING NUT

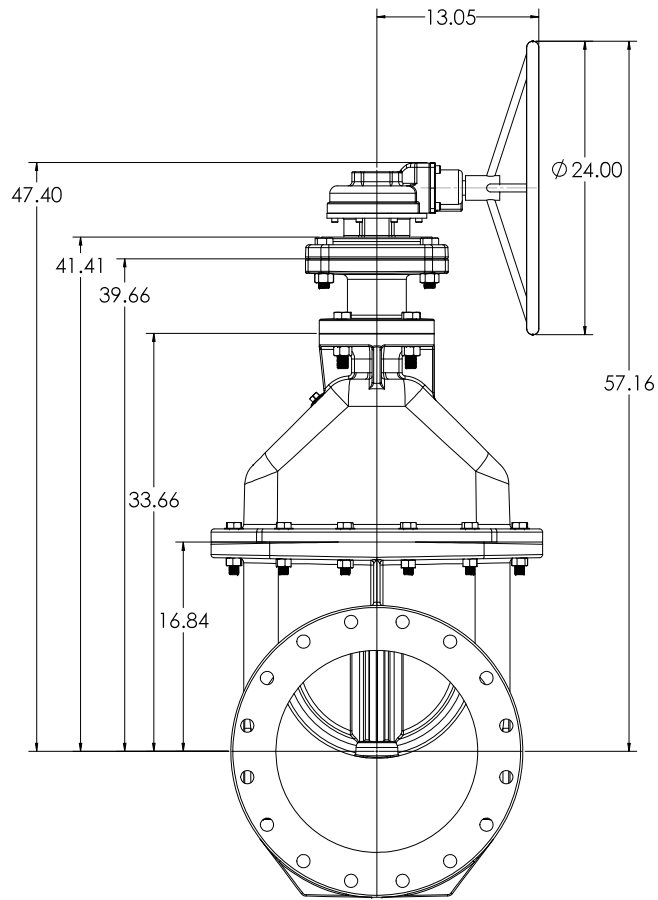


### SPUR GEAR WITH OPERATING NUT

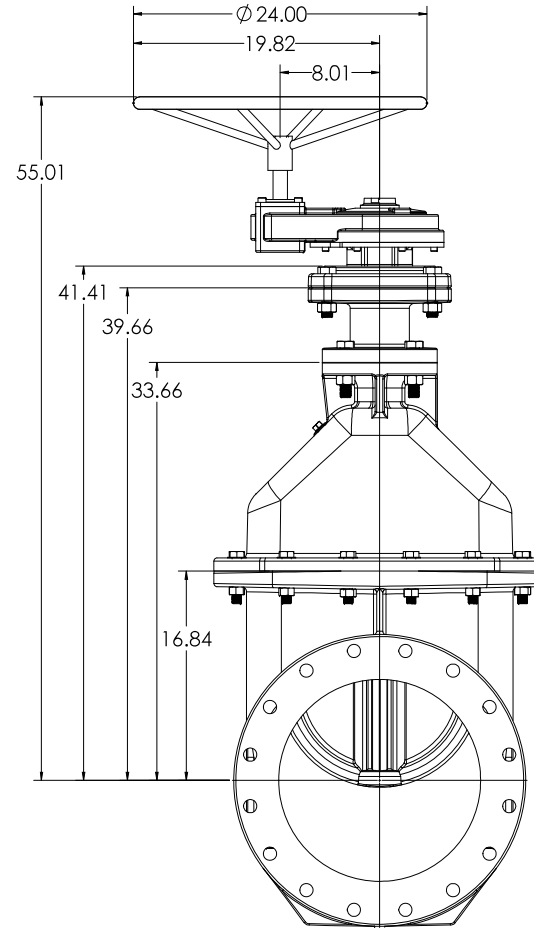


<b>16" CS15 NRS GEARED RESILIENT WEDGE GATE VALVE</b> 16" CS15 NRS GEARED RESILIENT WEDGE GATE VALVE		16" CS15 NRS GEARED RESILIENT WEDGE GATE VALVE 16" CS15 NRS GEARED RESILIENT WEDGE GATE VALVE		
DATE: 12/23/2020 DWG NO: 12232020 REV: 1 DESIGNED BY: CW CHECKED BY:	SCALE: 1:5 SHEET NO: 7 TOTAL SHEETS: 7	WEIGHT: LBS MATERIAL: CS15 NRS FINISH:	MANUFACTURED BY: SoliWorks 2016 SP2	2 7 D

### BEVEL GEAR WITH OPERATING NUT



### SPUR GEAR WITH OPERATING NUT

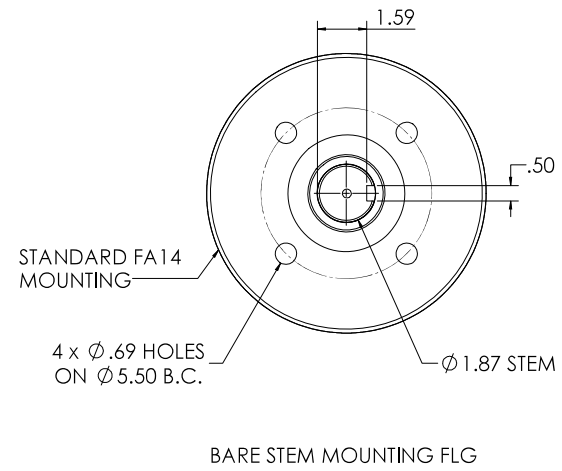
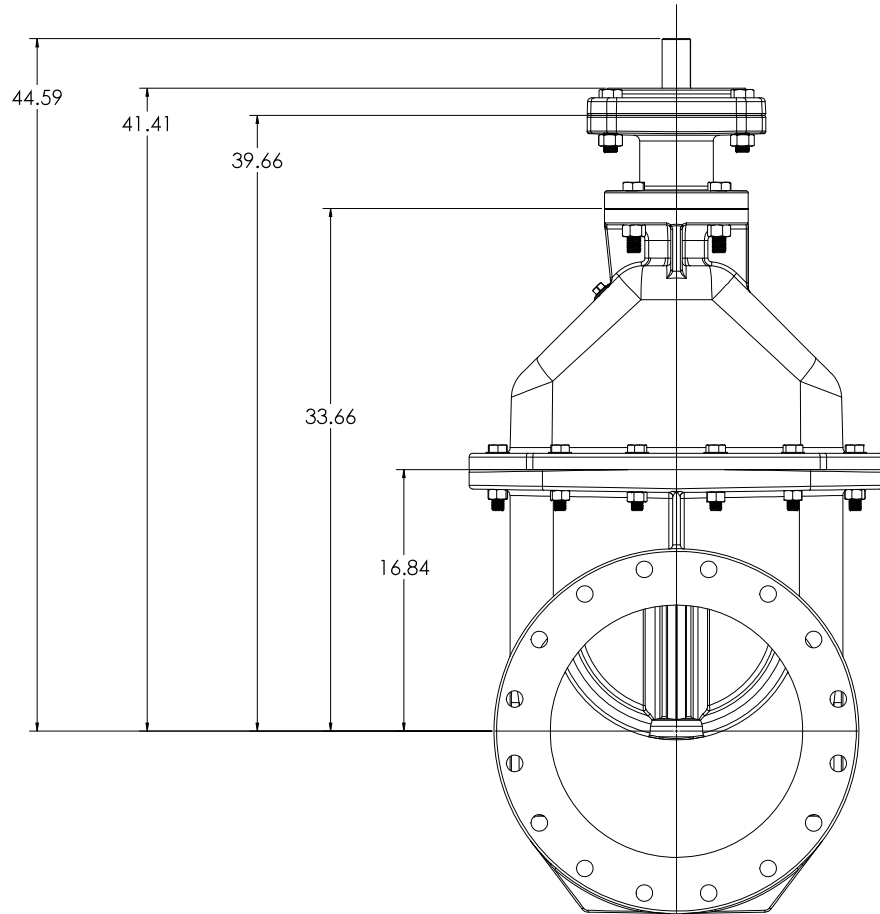


<b>REVISED</b> DATE: 12/3/2020 BY: CW		<b>DESCRIPTION</b> 16" CS15 NRS GEARED RESILIENT WEDGE GATE VALVE		<b>SCALE</b> 1:5		<b>PROJECT</b> SalsWorks 2016 SP2	
<b>DATE</b> 12/3/2020	<b>BY</b> CW	<b>DESCRIPTION</b> 16" CS15 NRS GEARED RESILIENT WEDGE GATE VALVE	<b>SCALE</b> 1:5	<b>PROJECT</b> SalsWorks 2016 SP2	<b>REVISED</b> DATE: 12/3/2020 BY: CW	<b>DESCRIPTION</b> 16" CS15 NRS GEARED RESILIENT WEDGE GATE VALVE	<b>SCALE</b> 1:5

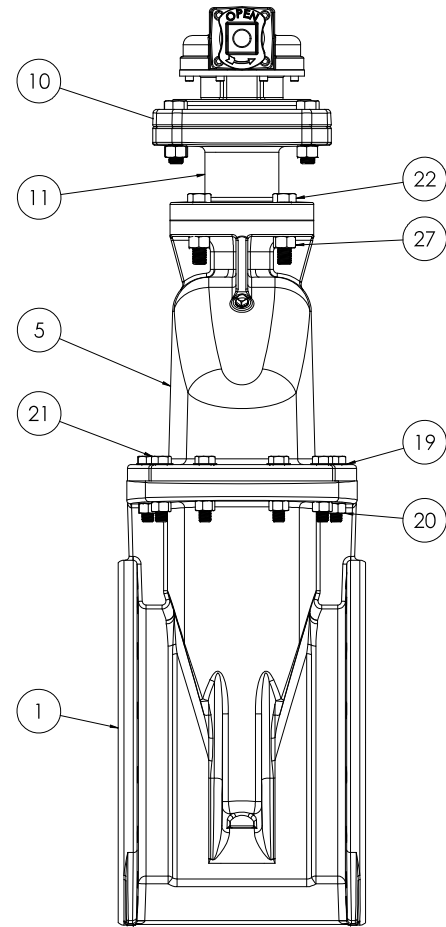
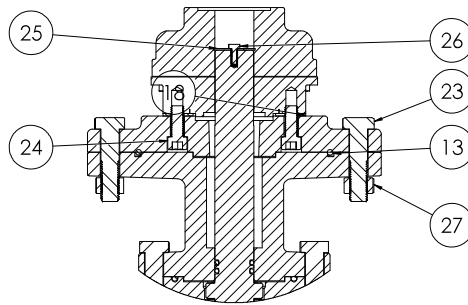
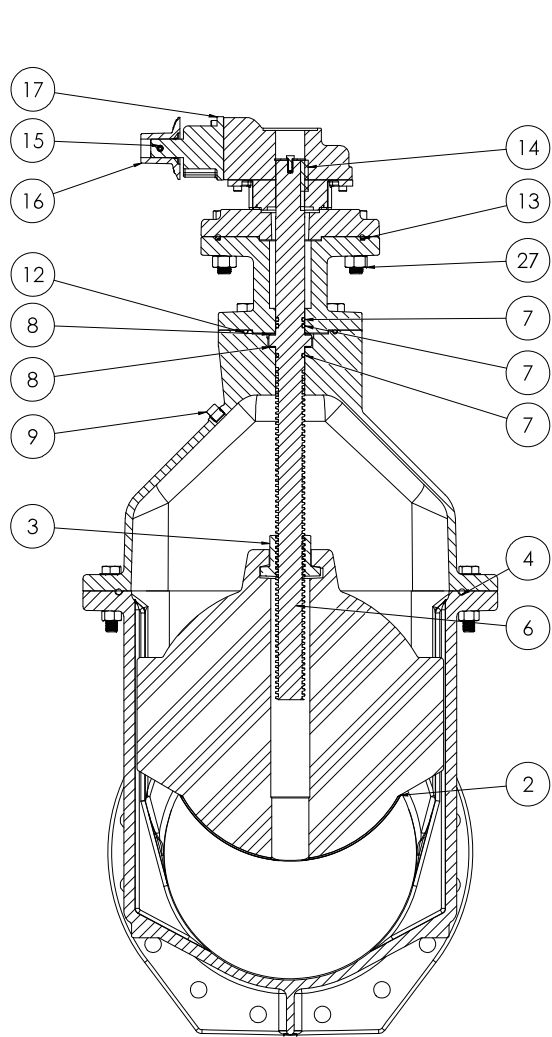


3  
7  
D

# BARE STEM



<b>REVISED</b> DATE: 12/29/2020 BY: CW		<b>16" C515 NRS GEARED RESILIENT WEDGE GATE VALVE</b> LBS. T:4		 M&M VALVE COMPANY 4 7
DATE: 12/29/2020 BY: CW	DATE: 12/29/2020 BY: CW	DATE: 12/29/2020 BY: CW	DATE: 12/29/2020 BY: CW	DATE: 12/29/2020 BY: CW



COMPANY: <b>SOLEWORKS</b> ADDRESS: 12345 INDUSTRIAL BLVD. CITY: CHICAGO, IL 60601 PHONE: (773) 555-1234 FAX: (773) 555-5678 WEBSITE: WWW.SOLEWORKS.COM		PROJECT: <b>16" CS18 NRS GEARED RESILIENT WEDGE GATE VALVE</b> DRAWING NO: <b>12345678</b> DATE: <b>12/31/2020</b>		SCALE: <b>T:4</b> SHEET NO: <b>7</b> TOTAL SHEETS: <b>7</b>	
DESIGNED BY: <b>J. SMITH</b> CHECKED BY: <b>A. JONES</b> DRAWN BY: <b>M. BROWN</b> DATE: <b>12/31/2020</b>	MATERIALS: GATE: <b>CS18</b> STEM: <b>316</b> BODY: <b>CS18</b> GEAR: <b>316</b>	WEIGHT: <b>150 LBS</b> DIMENSIONS: <b>16" x 16" x 16"</b> PRESSURE: <b>150 PSI</b>	MANUFACTURED BY: <b>SOLEWORKS</b> LOCATION: <b>CHICAGO, IL</b>	APPROVED BY: <b>[Signature]</b> TITLE: <b>DESIGNER</b>	APPROVED BY: <b>[Signature]</b> TITLE: <b>ENGINEER</b>



SOLEWORKS 2018 SP2

<u>ITEM NO.</u>	<u>COMPONENT</u>	<u>QTY.</u>	<u>SIZE</u>	<u>STANDARD MATERIAL</u>	<u>MATERIAL OPTIONS</u>
1	BODY	1	-	DUCTILE IRON	-
2	WEDGE	1	-	EPDM/DUCTILE IRON	-
3	STEM NUT	1	-	C87850	C99500 (LOW ZINC)
4	O-RING	1	#463	EPDM	BUNA-N
5	COVER	1	-	DUCTILE IRON	-
6	STEM	1	-	C86700	C99500 (LOW ZINC), 304 SS, 316 SS
7	O-RING	3	#325	EPDM	BUNA-N
8	THRUST WASHER	2	-	NYLATRON	-
9	PIPE PLUG	1	1/2"-NPT	304 SS	316 SS
10	ADAPTER PLATE	1	-	DUCTILE IRON	-
11	EXTENSION PLATE	1	-	DUCTILE IRON	-
12	O-RING	1	#433	EPDM	BUNA-N
13	O-RING	1	#447	EPDM	BUNA-N
14	STEM KEY	1	1/2" X 2"	18-8 SS	316 SS
15	COILED SPRING PIN	1	10MM X 45MM	302/304 SS	-
16	OPERATING NUT	1	-	CAST IRON	DUCTILE IRON, C86700, ** $\phi$ 24" HANDWHEEL**
17	BEVEL GEAR	1	-	-	SPUR GEAR
18	GASKET	1	-	EPDM	BUNA-N
19	WASHER	12	3/4"	18-8 SS	316 SS
20	HEX NUT	12	3/4"-10	18-8 SS	316 SS
21	HEX HEAD CAP SCREW	12	3/4"-10 X 3 3/4"	18-8 SS	316 SS
22	HEX HEAD CAP SCREW	4	7/8"-9 X 4"	18-8 SS	316 SS
23	HEX HEAD CAP SCREW	4	7/8"-9 X 3 1/2"	18-8 SS	316 SS
24	HEX HEAD CAP SCREW	4	5/8"-11 X 1 1/2"	18-8 SS	316 SS
25	WASHER	1	5/16" X 2"	18-8 SS	316 SS
26	HEX HEAD CAP SCREW	1	5/16"-18 X 3/4"	18-8 SS	316 SS
27	HEX NUT	8	7/8"-9	18-8 SS	316 SS

- VALVES CONFORM WITH FOLLOWING STANDARDS
  - AWWA C515
  - NSF 61
- LOW ZINC BRASS STEM AND STEM NUT AVAILABLE
- 100% DOMESTIC FASTENER AND O-RING OPTIONS AVAILABLE
- OPEN LEFT (COUNTERCLOCKWISE) AND OPEN RIGHT (CLOCKWISE) OPTIONS AVAILABLE
- TURNS TO OPEN FROM FULLY CLOSED: 104 ( $\pm$  5%)
- AWWA MAXIMUM ALLOWABLE CLOSING TORQUE 250 FT-LBS INTO GEAR
- OPTIONAL HANDWHEEL CAN BE SUBSTITUTED FOR STANDARD 2" SQUARE OP NUTS
  - \*\*NOTE: STANDARD HANDWHEEL SIZE CALLED OUT IN PARTS LIST\*\*

<small>           COMPANY: <b>STAINLESS STEEL INDUSTRIES, INC.</b>            ADDRESS: 10000 W. 10TH AVE., SUITE 100, DENVER, CO 80202            PHONE: (303) 440-1100 FAX: (303) 440-1101            WWW.STAINLESSSTEELINDUSTRIES.COM         </small>		<small>           PROJECT: <b>16" CS16 NRS GEARED RESILIENT WEDGE GATE VALVE</b>            DRAWING NO: <b>16NRS-001</b>            DATE: <b>12/3/2008</b> </small>		
<small>           CHECKED BY: <b>AWW</b>            DATE: <b>12/3/08</b>            DESIGNED BY: <b>AWW</b>            DATE: <b>12/3/08</b>            DRAWN BY: <b>AWW</b>            DATE: <b>12/3/08</b> </small>	<small>           APPROVED BY: <b>AWW</b>            DATE: <b>12/3/08</b>            SCALE: <b>1:4</b>            SHEET NO: <b>6</b>            TOTAL SHEETS: <b>7</b> </small>	<small>           PROJECT NO: <b>16NRS-001</b>            DRAWING NO: <b>16NRS-001</b>            DATE: <b>12/3/2008</b>            SCALE: <b>1:4</b>            SHEET NO: <b>6</b>            TOTAL SHEETS: <b>7</b> </small>	<small>           PROJECT: <b>16" CS16 NRS GEARED RESILIENT WEDGE GATE VALVE</b>            DRAWING NO: <b>16NRS-001</b>            DATE: <b>12/3/2008</b>            SCALE: <b>1:4</b>            SHEET NO: <b>6</b>            TOTAL SHEETS: <b>7</b> </small>	