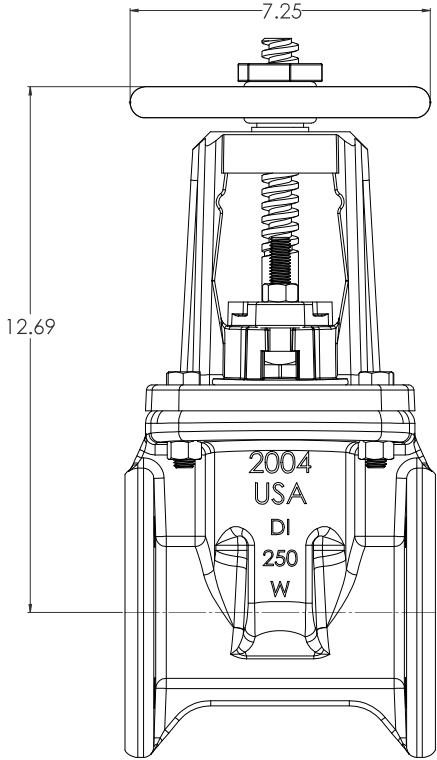
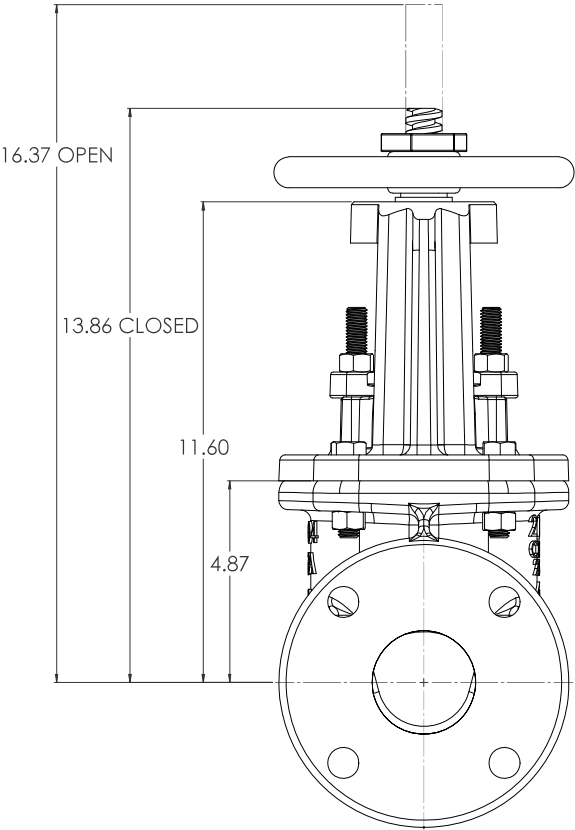




**OS&Y WITH HANDWHEEL**



<b>OS&amp;Y VALVE</b> 02 1/2" CS09 OS&Y RESILIENT WEDGE GATE VALVE		157/12020 1:5 2016 SP2	
DATE: 11/11/15 DWG NO: 157/12020 REV: 1 DESIGNED BY: J. W. B. CHECKED BY: J. W. B. APPROVED BY: J. W. B.	MATERIALS: BODY: 2004 DI GATE: 2004 DI SEAT: 2004 DI SPRING: 17-7 PH	WEIGHT: 15.0 LBS DIMENSIONS: 16.37" H x 7.25" W x 12.69" D	PART NO: 157/12020 REV: 1 DATE: 11/11/15



<u>ITEM NO.</u>	<u>COMPONENT</u>	<u>QTY.</u>	<u>SIZE</u>	<u>STANDARD MATERIAL</u>	<u>MATERIAL OPTIONS</u>
1	BODY	1	-	CAST IRON	-
2	STEM	1	-	C65500 (LOW ZINC)	304 SS, 316 SS
3	STEM NUT	1	-	C87850	C87610 (LOW ZINC)
4	O-RING	1	#212	EPDM	BUNA-N
5	DRIVLOK PIN	1	1/4" X 1 1/4"	303 SS	-
6	WEDGE	1	-	EPDM/DUCTILE IRON	-
7	O-RING	1	#425	EPDM	BUNA-N
8	TOP STEM NUT	1	-	C86700	-
9	THRUST WASHER	1	-	ACETAL	C26000
10	HANDWHEEL NUT	1	-	C87850	C87610
11	GLAND	1	-	CAST IRON	-
12	COVER	1	-	CAST IRON	-
13	HEX HEAD CAP SCREW	4	1/2"-13 X 2"	18-8 SS	316 SS
14	HEX NUT	6	1/2"-13	18-8 SS	316 SS
15	SQUARE HEAD CAP SCREW	2	1/2"-13 X 2 3/4"	18-8 SS	316 SS
16	HANDWHEEL	1	7 1/4" DIA.	DUCTILE IRON	-

- VALVES CONFORM WITH THE FOLLOWING STANDARDS
  - NSF 61
- LOW ZINC BRASS STEM AVAILABLE
- 100% DOMESTIC FASTENERS AND ORINGS OPTIONS AVAILABLE
- *OPEN LEFT* (COUNTERCLOCKWISE) AND *OPEN RIGHT* (CLOCKWISE) OPTIONS AVAILABLE
- TURNS TO OPEN FROM FULLY CLOSED: 8
- AWWA MAXIMUM ALLOWABLE CLOSING TORQUE 28 FT-LB

<small>OS&amp;Y VALVE MANUFACTURING</small> <small>10000 W. 12TH AVE. SUITE 100</small> <small>OMAHA, NE 68147</small>		<small>OS&amp;Y VALVE MANUFACTURING</small> <small>10000 W. 12TH AVE. SUITE 100</small> <small>OMAHA, NE 68147</small>		<small>OS&amp;Y VALVE MANUFACTURING</small> <small>10000 W. 12TH AVE. SUITE 100</small> <small>OMAHA, NE 68147</small>	
<small>DATE:</small> 12/1/2020 <small>TIME:</small> 10:00 AM <small>BY:</small> JRM <small>APPROVED:</small> JRM	<small>REV:</small> 0 <small>DATE:</small> 12/1/2020 <small>BY:</small> JRM <small>APPROVED:</small> JRM	<small>PROJECT:</small> 02 1/2" CS09 OS&Y RESILIENT <small>DESCRIPTION:</small> WEDGE GATE VALVE <small>SCALE:</small> 1:5	<small>DATE:</small> 12/1/2020 <small>TIME:</small> 10:00 AM <small>BY:</small> JRM <small>APPROVED:</small> JRM	<small>DATE:</small> 12/1/2020 <small>TIME:</small> 10:00 AM <small>BY:</small> JRM <small>APPROVED:</small> JRM	<small>DATE:</small> 12/1/2020 <small>TIME:</small> 10:00 AM <small>BY:</small> JRM <small>APPROVED:</small> JRM