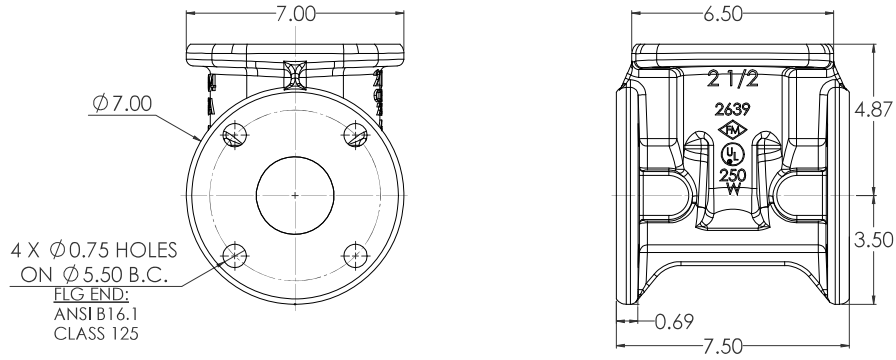
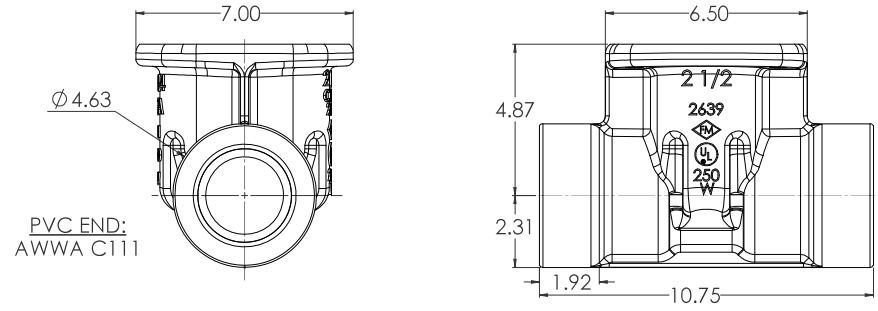


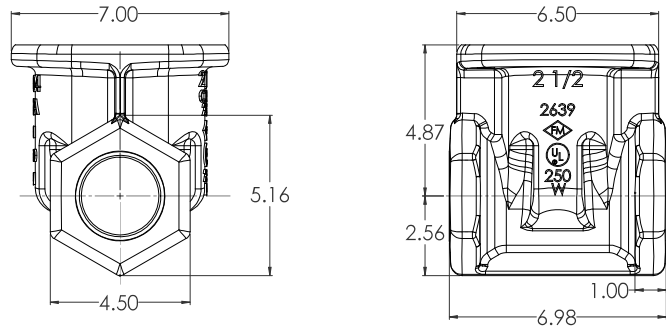
02 1/2" C509 FLG X FLG



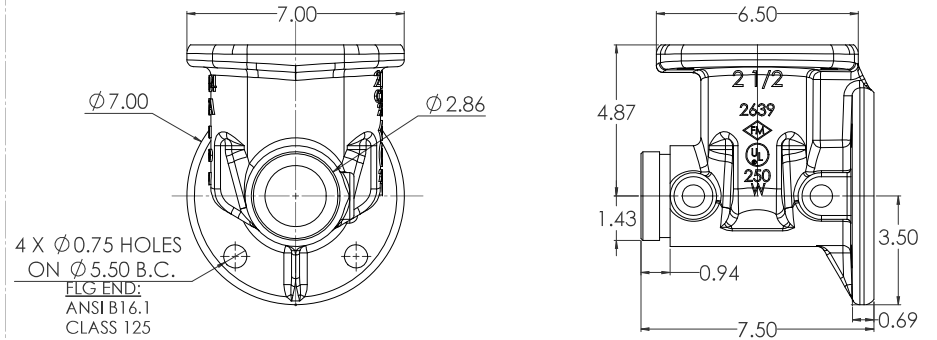
02 1/2" C509 PVC X PVC



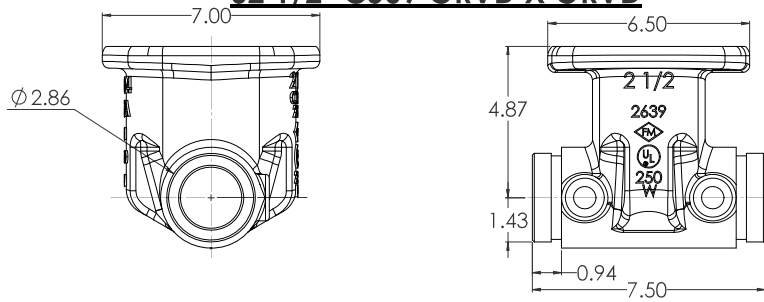
02 1/2" C509 THRD X THRD



02 1/2" C509 FLG X GRVD

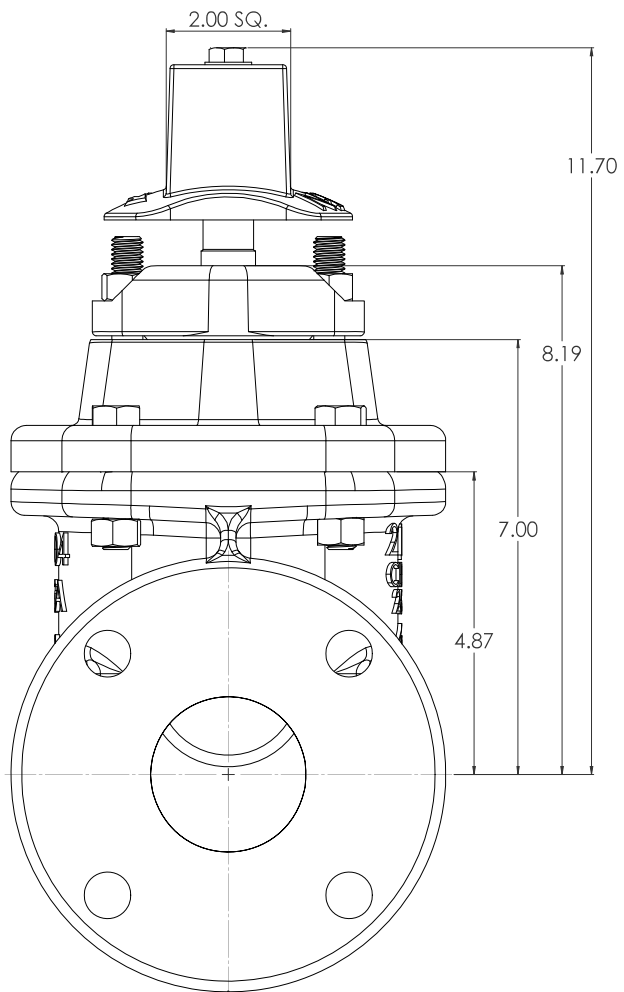


02 1/2" C509 GRVD X GRVD

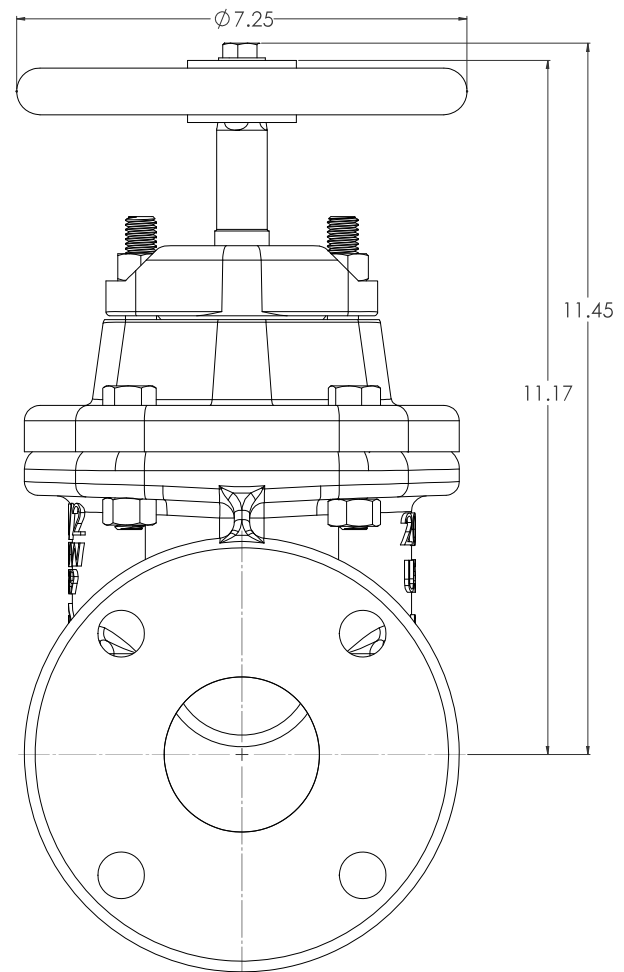


COMPANY: WATERWORKS ADDRESS: 11111 W. 111th St., Overland Park, KS 66213 PHONE: (913) 666-1111 FAX: (913) 666-1112 WWW: www.waterworksvalve.com	PRODUCT: 02 1/2" C509 NRS RESILIENT LBS. WEDGE GATE VALVE MATERIAL: 1:2 DATE: 12/1/2020	SHEET NO: 5 OF: 5 DRAWN BY: D
--	--	--

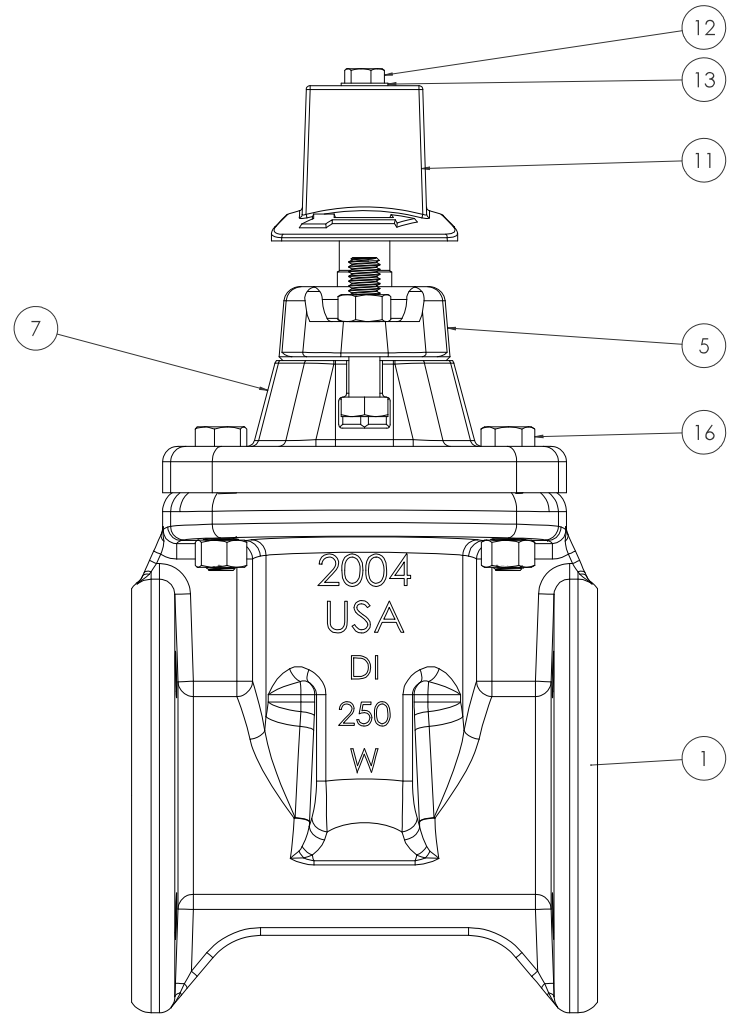
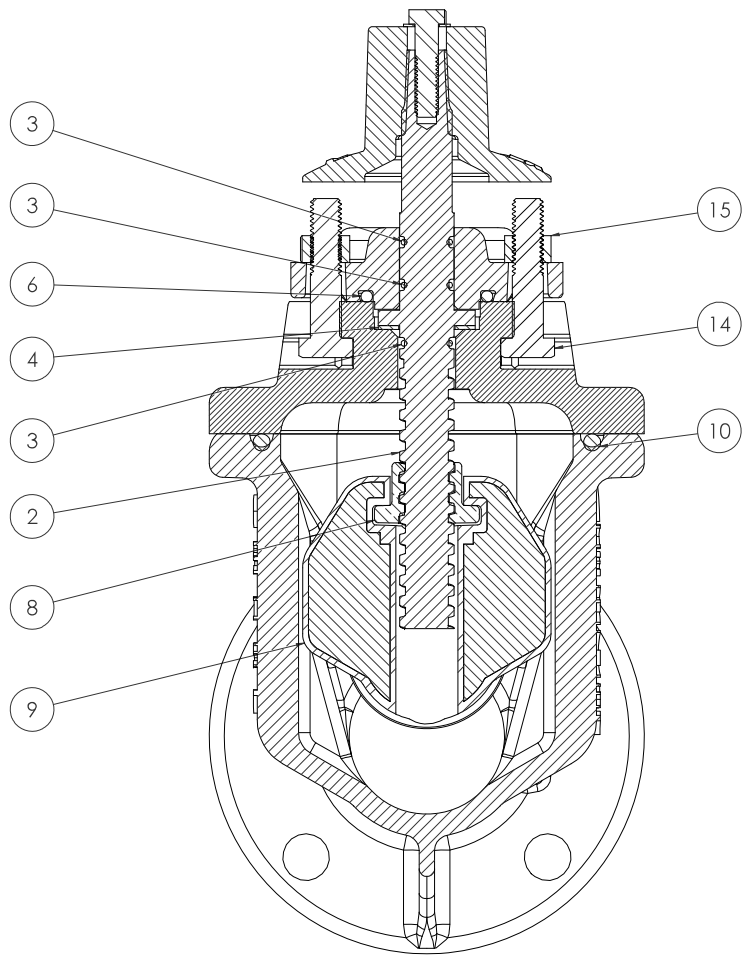
O-RING PLATE WITH OPERATING NUT



O-RING PLATE WITH HANDWHEEL



REVISED DATE: 12/1/2020 BY: CW		02 1/2" CS09 NRS RESILIENT WEDGE GATE VALVE		2 5
02 1/2" CS09 NRS RESILIENT WEDGE GATE VALVE	1:2	12/1/2020	SolidWorks 2016 SP2	D



SOLEWORKS 12210 W. 12th Ave., Suite 100, Westminster, CO 80234 (303) 426-1221 • www.soleworks.com		02 1/2" CS09 NRS RESILIENT LBS. WEDGE GATE VALVE		 3 5
DATE: 12/1/2009 DWG NO: 21002 REV: 1 DESIGNED BY: JRM CHECKED BY: JRM	MANUFACTURED BY: JRM MATERIAL: CS09 WEIGHT: 138 LBS DIMENSIONS: 12" x 12" x 12"	SCALE: 1:5 DATE: 12/1/2009	PROJECT: SOLWORKS 2016 SP2	

<u>ITEM NO.</u>	<u>PART NUMBER</u>	<u>QTY.</u>	<u>SIZE</u>	<u>STANDARD MATERIAL</u>	<u>MATERIAL OPTIONS</u>
1	BODY	1	-	CAST IRON	DUCTILE IRON
2	STEM	1	-	C86200	C99500 (LOW ZINC), 304 SS, 316 SS
3	O-RING	3	#119	EPDM	BUNA-N
4	THRUST WASHER	1	-	ACETAL	C26000
5	O-RING PLATE	1	-	DUCTILE IRON	-
6	O-RING	1	#327	EPDM	BUNA-N
7	COVER	1	-	CAST IRON	DUCTILE IRON
8	STEM NUT	1	-	C87850	C87610 (LOW ZINC)
9	WEDGE	1	-	EPDM/DUCTILE IRON	-
10	O-RING	1	#425	EPDM	BUNA-N
11	OPERATING NUT	1	-	CAST IRON	DUCTILE IRON, **7.25" DIA. HANDWHEEL**
12	HEX HEAD CAP SCREW	1	3/8"-16 X 1 1/2"	18-8 SS	316 SS
13	WASHER	1	3/8"	18-8 SS	316 SS
14	HEX HEAD CAP SCREW	2	1/2"-13 X 2 1/4"	18-8 SS	316 SS
15	HEX NUT	6	1/2"-13	18-8 SS	316 SS
16	HEX HEAD CAP SCREW	4	1/2"-13 X 2"	18-8 SS	316 SS

- VALVES CONFORM WITH THE FOLLOWING STANDARDS
 - NSF 61
- LOW ZINC BRASS STEM AND STEM NUT AVAILABLE
- 100% DOMESTIC FASTENERS AND ORINGS OPTIONS AVAILABLE
- *OPEN LEFT* (COUNTERCLOCKWISE) AND *OPEN RIGHT* (CLOCKWISE) OPTIONS AVAILABLE
- TURNS TO OPEN FROM FULLY CLOSED: 8
- AWWA MAXIMUM ALLOWABLE TORQUE TO CLOSE 28 FT-LB
- OPTIONAL HANDWHEEL CAN BE SUBSTITUTED FOR STANDARD 2" SQUARE OP NUTS.
 - **NOTE:STANDARD HANDWHEELS SIZE CALLED OUT IN PARTS LIST.**

WEDGEMASTER <small>WEDGEMASTER VALVES AND FITTINGS</small>		<small>WEDGEMASTER VALVES AND FITTINGS</small> <small>WEDGEMASTER VALVES AND FITTINGS</small>		<small>WEDGEMASTER VALVES AND FITTINGS</small> <small>WEDGEMASTER VALVES AND FITTINGS</small>	
<small>DATE</small> <small>REV</small> <small>REV</small> <small>REV</small> <small>REV</small>	<small>DATE</small> <small>REV</small> <small>REV</small> <small>REV</small> <small>REV</small>	<small>DATE</small> <small>REV</small> <small>REV</small> <small>REV</small> <small>REV</small>	<small>DATE</small> <small>REV</small> <small>REV</small> <small>REV</small> <small>REV</small>	<small>DATE</small> <small>REV</small> <small>REV</small> <small>REV</small> <small>REV</small>	<small>DATE</small> <small>REV</small> <small>REV</small> <small>REV</small> <small>REV</small>
<small>02 1/2" C509 NRS RESILIENT</small> <small>LBS. WEDGE GATE VALVE</small>			<small>4</small> <small>5</small>		
<small>CW 12/1/2020</small>			<small>1:5</small> <small>5</small>		