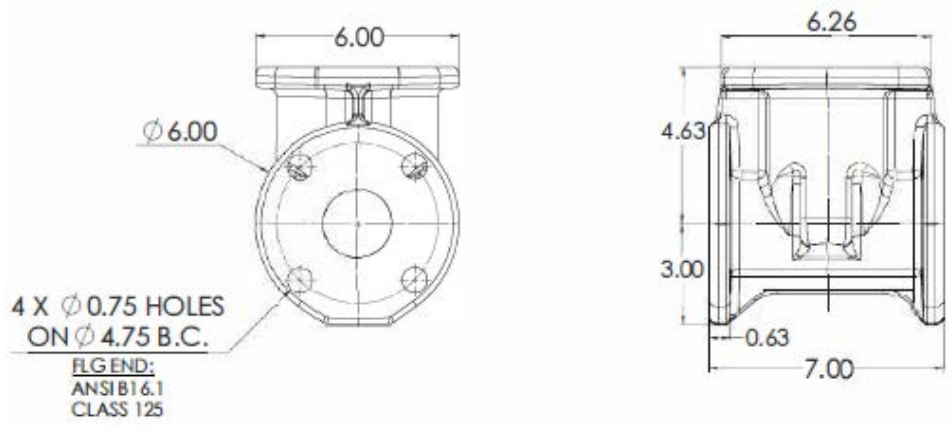


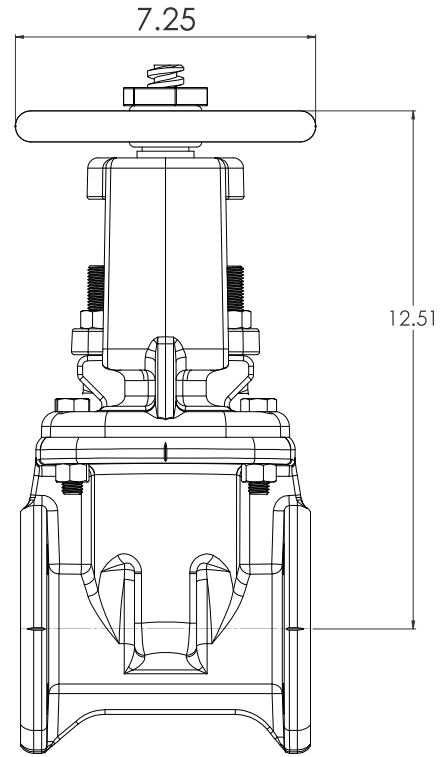
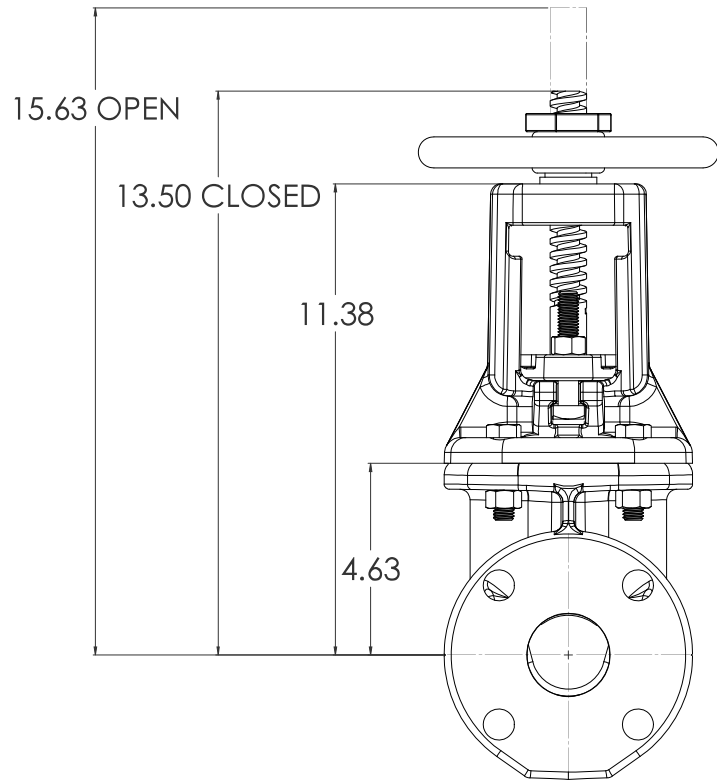
02" C509 FLG X FLG



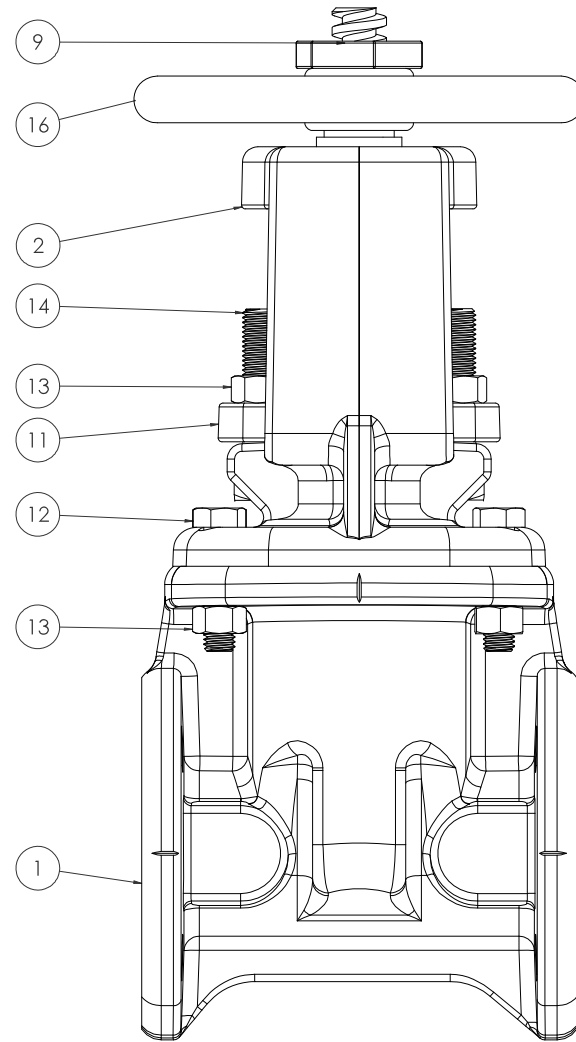
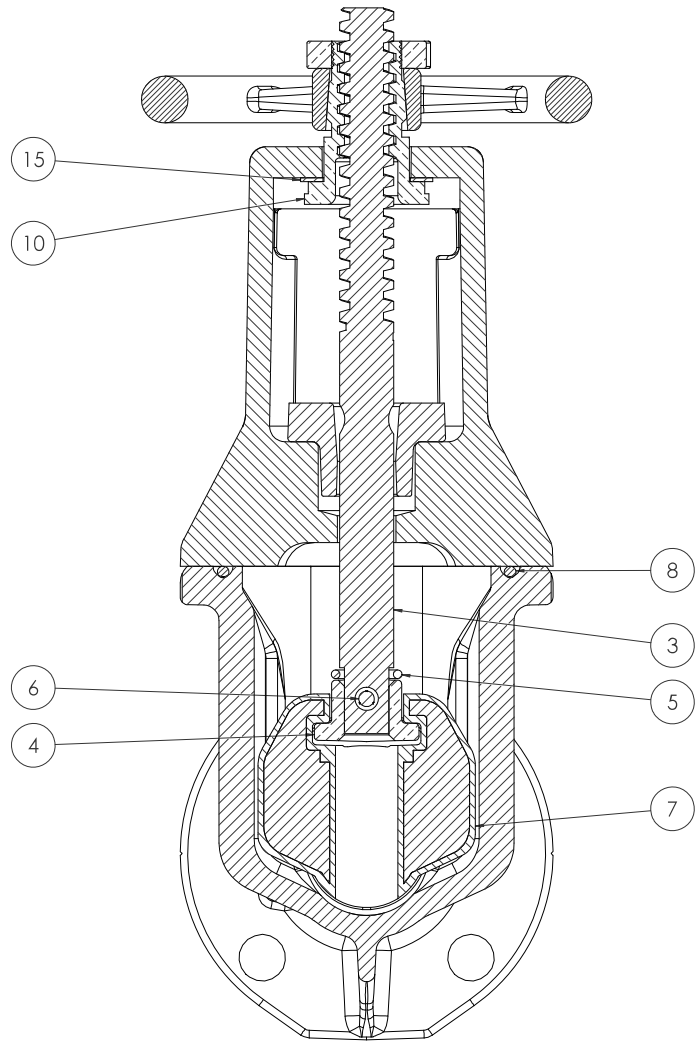
OTHER END CONNECTIONS ARE AVAILABLE UPON REQUEST

02" C509 FLG X FLG		REVISED	
DATE	DESCRIPTION	BY	CHKD
12/1/2020	1.00	CW	
12/1/2020	1.01	CW	
12/1/2020	1.02	CW	
12/1/2020	1.03	CW	
12/1/2020	1.04	CW	
12/1/2020	1.05	CW	
12/1/2020	1.06	CW	
12/1/2020	1.07	CW	
12/1/2020	1.08	CW	
12/1/2020	1.09	CW	
12/1/2020	1.10	CW	
12/1/2020	1.11	CW	
12/1/2020	1.12	CW	
12/1/2020	1.13	CW	
12/1/2020	1.14	CW	
12/1/2020	1.15	CW	
12/1/2020	1.16	CW	
12/1/2020	1.17	CW	
12/1/2020	1.18	CW	
12/1/2020	1.19	CW	
12/1/2020	1.20	CW	

OS&Y WITH HANDWHEEL



COMPANY: OS&Y ADDRESS: 12345 Main St, Houston, TX 77001 PHONE: 713-555-1234 FAX: 713-555-5678 E-MAIL: sales@osy.com WEBSITE: www.osy.com		PROJECT: 02" C509 OS&Y RESILIENT WEDGE GATE VALVE LBS. 1 T:10 SolWorks 2016 SP2		SHEET NO. 2 OF 5 DATE: 12/1/2020	
DRAWN BY: JD CHECKED BY: JD DATE: 12/1/2020	REVISED BY: JD CHECKED BY: JD DATE: 12/1/2020	TITLE: 02" C509 OS&Y RESILIENT WEDGE GATE VALVE LBS. 1 T:10	PROJECT NO. 12345678 DRAWING NO. 12345678 SCALE: 1:1	SHEET NO. 2 OF 5 DATE: 12/1/2020	



OS&Y OS&Y VALVE COMPANY 12345 INDUSTRIAL BLVD. CLEVELAND, OH 44115 (216) 522-1234 FAX (216) 522-1235 WWW.OSANDY.COM		02" C509 OS&Y RESILIENT LBS. WEDGE GATE VALVE 1:5 12/1/2020 SoliWorks 2016 SP2		 3 5 D
DATE: 12/1/2020 DRAWN BY: CW CHECKED BY: [blank] APPROVED BY: [blank]	PART NO: 02-C509-001 REV: 1 QTY: 1 UNIT: LBS.	MATERIAL: [blank] FINISH: [blank] WEIGHT: [blank] DIMENSIONS: [blank]	OPERATING PRESSURE: [blank] OPERATING TEMPERATURE: [blank] SEATING CLASS: [blank]	

<u>ITEM NO.</u>	<u>COMPONENT</u>	<u>QTY.</u>	<u>SIZE</u>	<u>STANDARD MATERIAL</u>	<u>MATERIAL OPTIONS</u>
1	BODY	1	-	CAST IRON	DUCTILE IRON
2	COVER	1	-	CAST IRON	DUCTILE IRON
3	STEM	1	-	C65500 (LOW ZINC)	304 SS, 316 SS
4	STEM NUT	1	-	C87850	C87610 (LOW ZINC)
5	O-RING	1	#212	EPDM	BUNA-N
6	DRIVLOK PIN	1	1/4" X 1 1/4"	18-8 SS	316 SS
7	WEDGE	1	-	EPDM/DUCTILE IRON	-
8	O-RING	1	#346	EPDM	BUNA-N
9	HANDWHEEL NUT	1	-	C87850	C87610
10	TOP STEM NUT	1	-	C86700	-
11	GLAND	1	-	CAST IRON	-
12	HEX HEAD CAP SCREW	4	1/2"-13 X 2"	18-8 SS	316 SS
13	HEX NUT	6	1/2"-13	18-SS	316 SS
14	SQUARE HEAD CAP SCREW	2	1/2"-13 X 2 3/4"	18-8 SS	316 SS
15	THRUST WASHER	1	-	ACETAL	C26000
16	HANDWHEEL	1	Ø7 1/4"	DUCTILE IRON	-

- VALVES CONFORM WITH THE FOLLOWING STANDARDS
 - NSF 61
- LOW ZINC BRASS STEM AND AVAILABLE
- 100% DOMESTIC FASTENERS AND ORINGS OPTIONS AVAILABLE
- *OPEN LEFT* (COUNTERCLOCKWISE) AND *OPEN RIGHT* (CLOCKWISE) OPTIONS AVAILABLE
- TURNS TO OPEN FROM FULLY CLOSED: 5
- AWWA MAXIMUM ALLOWABLE CLOSING TORQUE 20 FT-LBS

02" C509 OS&Y RESILIENT WEDGE GATE VALVE LBS.		4 5	
DATE: 1/17/2020 TIME: 10:00 AM USER: CW	PROJECT: 1571/2020	T:10	SolidWorks 2016 SP2