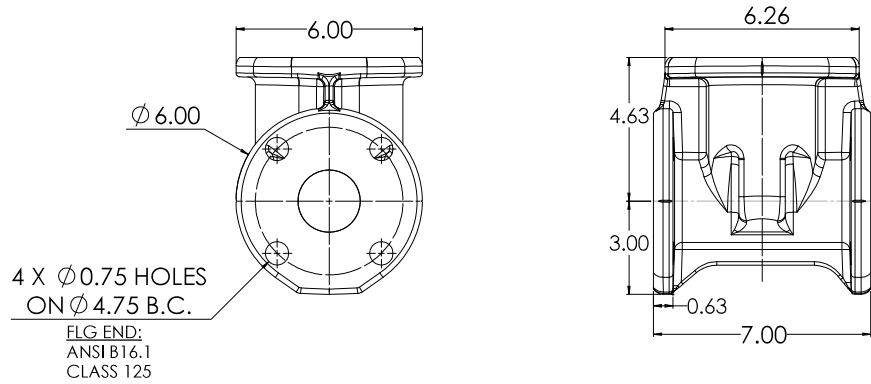
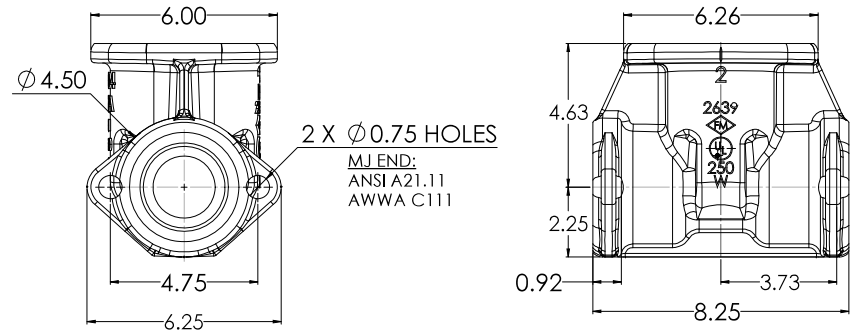


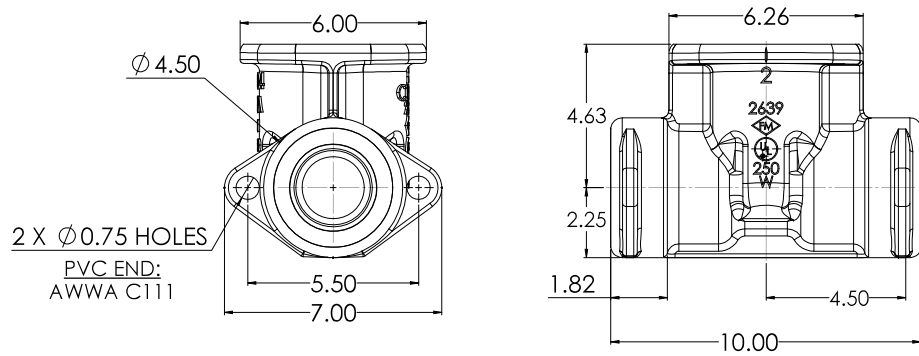
**02" C509 FLG X FLG**



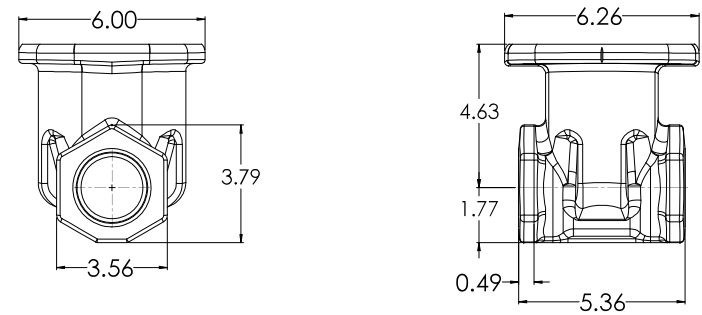
**02" C509 MJ X MJ**



**02" C509 PVC X PVC**

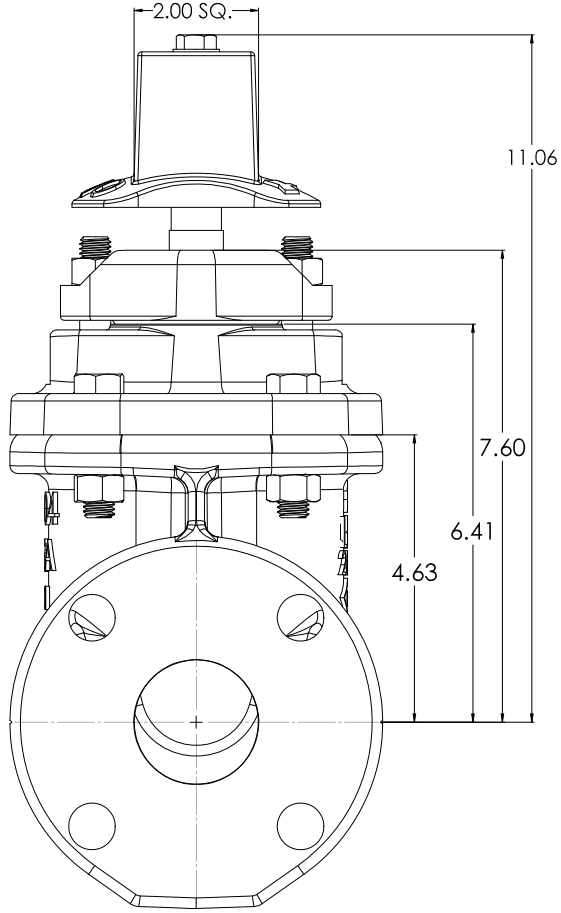


**02" C509 THRD X THRD**

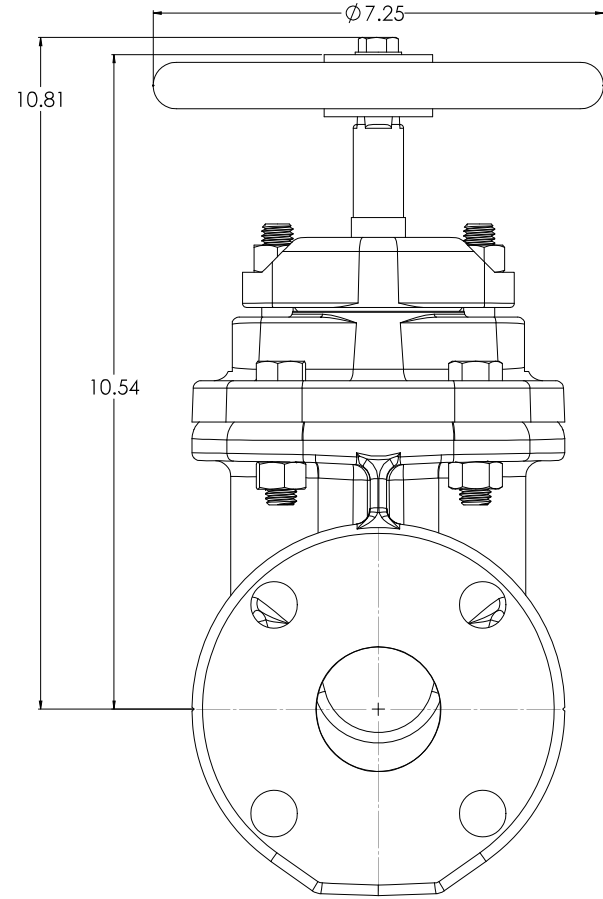


02" C509 NRS RESILIENT WEDGE GATE VALVE LBS.		12/1/2008		1:2		Soliworks 2016 SP2	
02" C509 NRS RESILIENT WEDGE GATE VALVE		12/1/2008		1:2		Soliworks 2016 SP2	
02" C509 NRS RESILIENT WEDGE GATE VALVE		12/1/2008		1:2		Soliworks 2016 SP2	
02" C509 NRS RESILIENT WEDGE GATE VALVE		12/1/2008		1:2		Soliworks 2016 SP2	
02" C509 NRS RESILIENT WEDGE GATE VALVE		12/1/2008		1:2		Soliworks 2016 SP2	
02" C509 NRS RESILIENT WEDGE GATE VALVE		12/1/2008		1:2		Soliworks 2016 SP2	
02" C509 NRS RESILIENT WEDGE GATE VALVE		12/1/2008		1:2		Soliworks 2016 SP2	
02" C509 NRS RESILIENT WEDGE GATE VALVE		12/1/2008		1:2		Soliworks 2016 SP2	
02" C509 NRS RESILIENT WEDGE GATE VALVE		12/1/2008		1:2		Soliworks 2016 SP2	
02" C509 NRS RESILIENT WEDGE GATE VALVE		12/1/2008		1:2		Soliworks 2016 SP2	

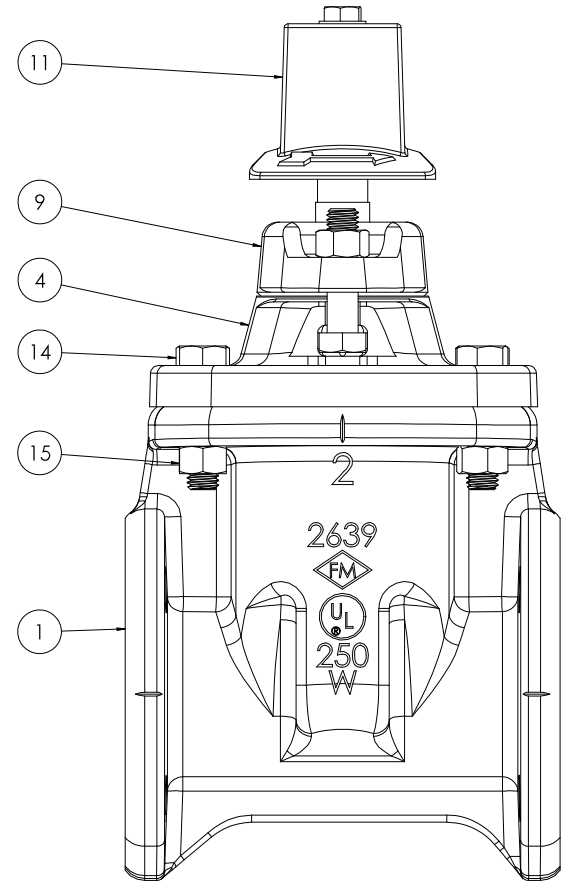
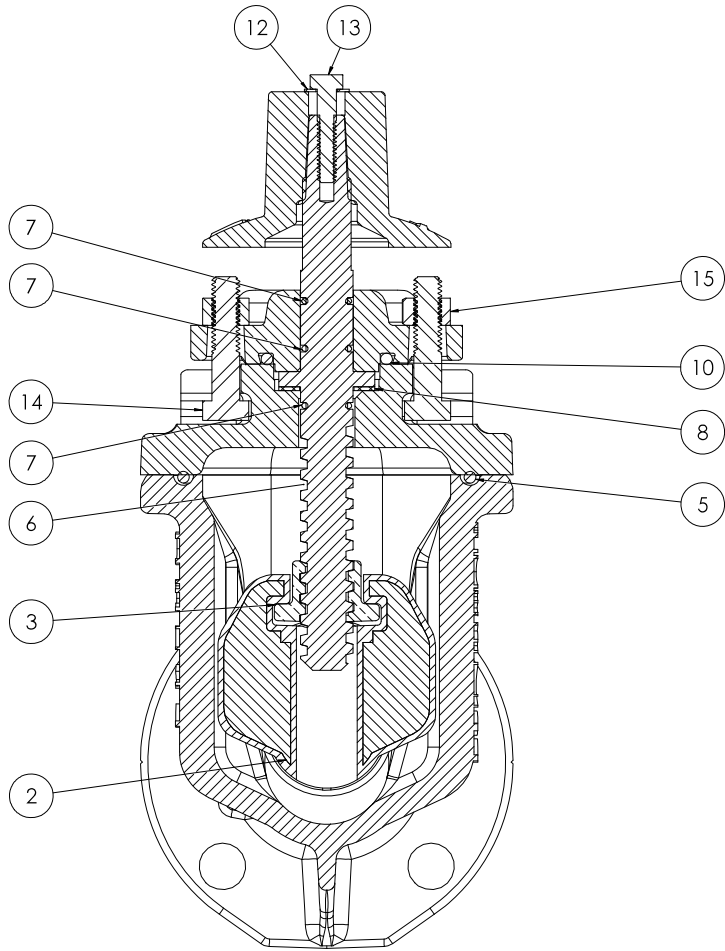
**O-RING PLATE WITH  
OPERATING NUT**



**O-RING PLATE WITH  
HANDWHEEL**



<small>                 COMPANY: Soloworks                  ADDRESS: 1571/23920                  PHONE: 408-245-1111                  FAX: 408-245-1112                  WWW: www.soloworks.com             </small>		<small>                 DIVISION: Industrial                  PRODUCT: Wedge Gate Valve                  MATERIAL: LBS                  SIZE: 2"             </small>		
<small>                 DATE: 12/1/2020                  DRAWN BY: CW             </small>		<small>                 CHECKED BY: T2                  APPROVED BY: Soloworks 2016 SP2             </small>		



02" C509 NRS RESILIENT WEDGE GATE VALVE LBS.		1:5 157/2020	3 5	
DATE: 11/15/2019 BY: J. B. BROWN CHECKED: J. B. BROWN APPROVED: J. B. BROWN	DATE: 11/15/2019 BY: J. B. BROWN CHECKED: J. B. BROWN APPROVED: J. B. BROWN	DATE: 11/15/2019 BY: J. B. BROWN CHECKED: J. B. BROWN APPROVED: J. B. BROWN	DATE: 11/15/2019 BY: J. B. BROWN CHECKED: J. B. BROWN APPROVED: J. B. BROWN	DATE: 11/15/2019 BY: J. B. BROWN CHECKED: J. B. BROWN APPROVED: J. B. BROWN

<u>ITEM NO.</u>	<u>COMPONENT</u>	<u>QTY.</u>	<u>SIZE</u>	<u>STANDARD MATERIAL</u>	<u>MATERIAL OPTIONS</u>
1	BODY	1	-	CAST IRON	DUCTILE IRON
2	WEDGE	1	-	EPDM/DUCTILE IRON	-
3	STEM NUT	1	-	C87850	C87610 (LOW ZINC)
4	COVER	1	-	CAST IRON	DUCTILE IRON
5	O-RING	1	#346	EPDM	BUNA-N
6	STEM	1	-	C86200	C99500 (LOW ZINC), 304 SS, 316 SS
7	O-RING	3	#115	EPDM	BUNA-N
8	THRUST WASHER	1	2-1/2"	ACETAL	C26000
9	O-RING PLATE	1	-	DUCTILE IRON	-
10	O-RING	1	#327	EPDM	BUNA-N
11	OPERATING NUT	1	-	CAST IRON	DUCTILE IRON, ** $\phi$ 7.25" HANDWHEEL**
12	FLAT WASHER	1	3/8"	18-8 SS	316 SS
13	HEX HEAD CAP SCREW	1	3/8"-10 X 1 1/2"	18-8 SS	316 SS
14	HEX HEAD CAP SCREW	6	1/2"X10 X 2"	18-8 SS	316 SS
15	HEX NUT	6	1/2"X10	18-8 SS	316 SS

- VALVES CONFORM WITH THE FOLLOWING STANDARDS
  - NSF 61
- LOW ZINC BRASS STEM AND STEM NUT AVAILABLE
- 100% DOMESTIC FASTENERS AND ORINGS OPTIONS AVAILABLE
- *OPEN LEFT* (COUNTERCLOCKWISE) AND *OPEN RIGHT* (CLOCKWISE) OPTIONS AVAILABLE
- TURNS TO OPEN FROM FULLY CLOSED: 5
- AWWA MAXIMUM ALLOWABLE CLOSING TORQUE 20 FT-LB
- OPTIONAL HANDWHEEL CAN BE SUBSTITUTED FOR STANDARD 2" SQUARE OP NUTS.
  - \*\*NOTE:STANDARD HANDWHEELS SIZE CALLED OUT IN PARTS LIST.\*\*

<small>           COMPANY: COLUMBIAN VALVE &amp; PIPE CO., INC.            ADDRESS: 1000 W. 10TH ST., ST. LOUIS, MO 63103            PHONE: (314) 241-1000 FAX: (314) 241-1001            WWW: WWW.COLUMBIANVALVE.COM         </small>		<small>           PRODUCT: 02" C509 NRS RESILIENT WEDGE GATE VALVE            LBS. 1:5            12/1/2020         </small>		
<small>           DATE: 12/1/2020            TIME: 10:00 AM            BY: CW         </small>	<small>           DRAWING NO.: 12/1/2020            REV: 1         </small>	<small>           PART NO.: 12/1/2020            REV: 1         </small>	<small>           QUANTITY: 1            UNIT: 1:5         </small>	<small>           DRAWING NO.: 12/1/2020            REV: 1         </small>