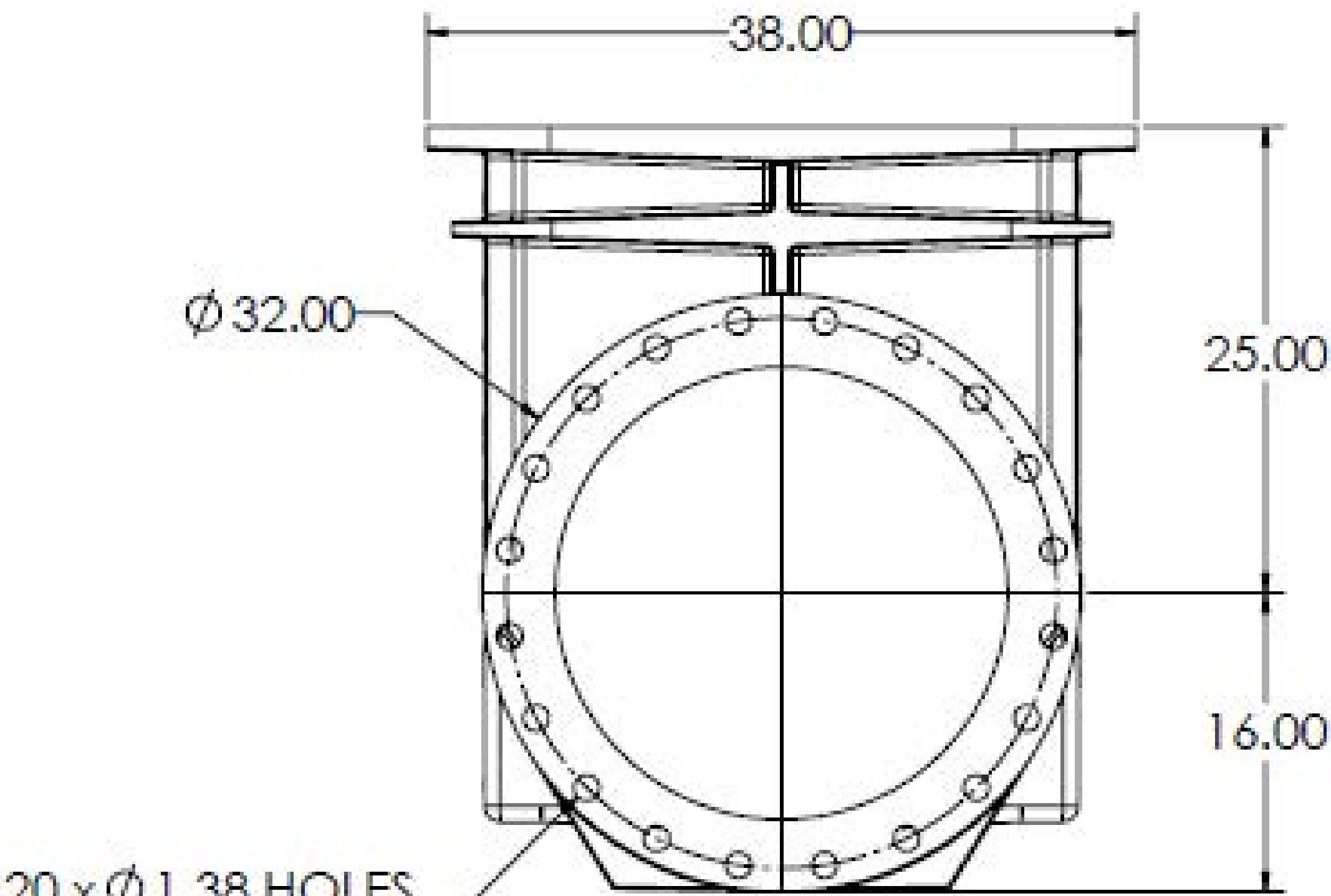
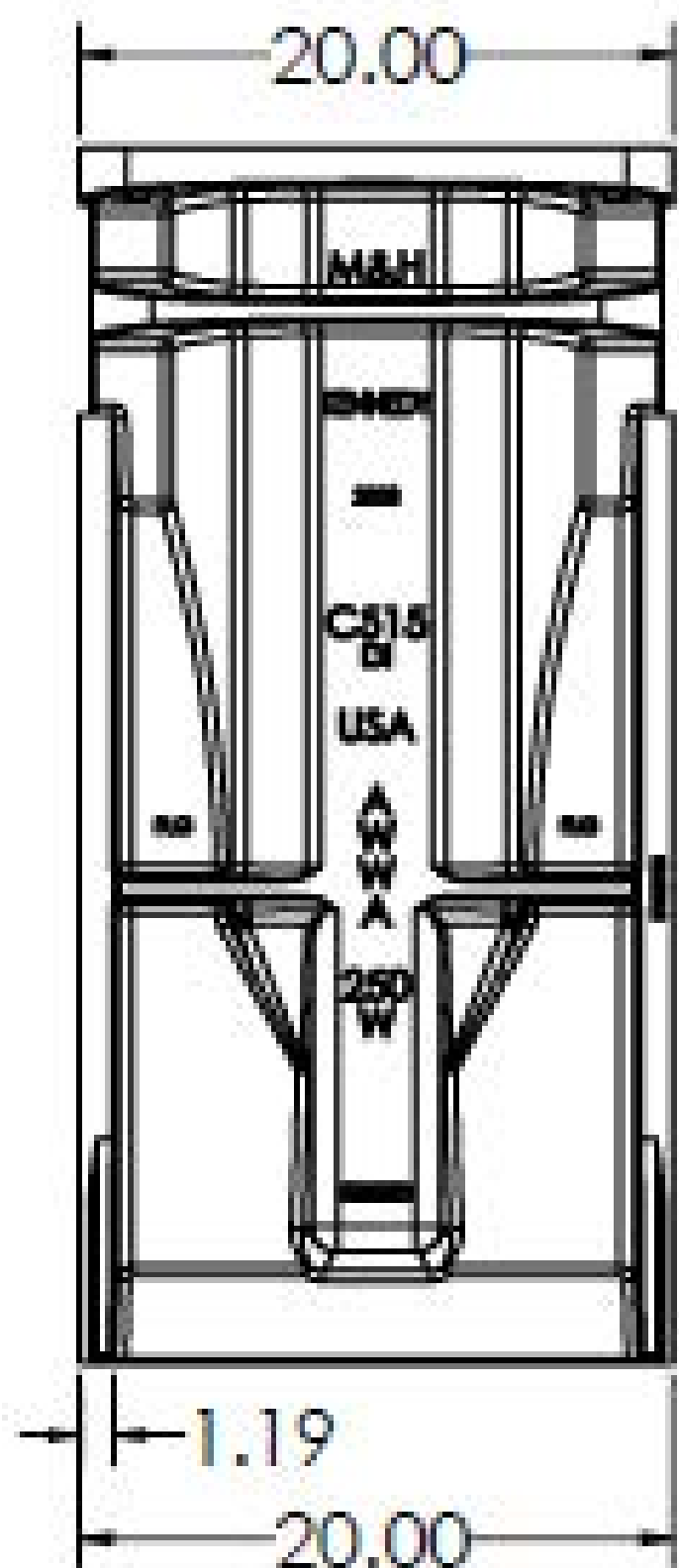


24" C515 FLG X FLG



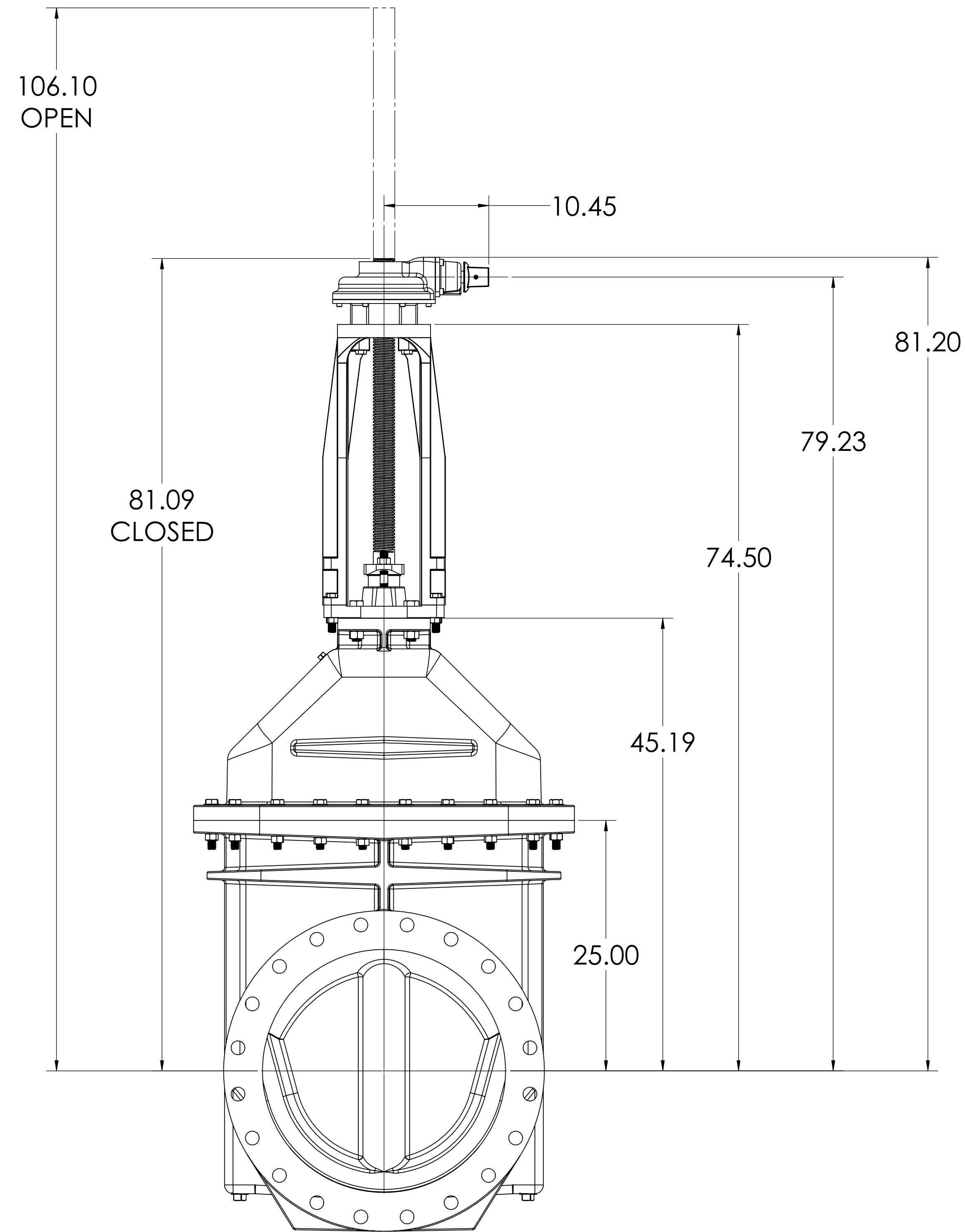
20 x ϕ 1.38 HOLES
ON ϕ 29.50 B.C.

FLG END:
ANSI B16.1
CLASS 125

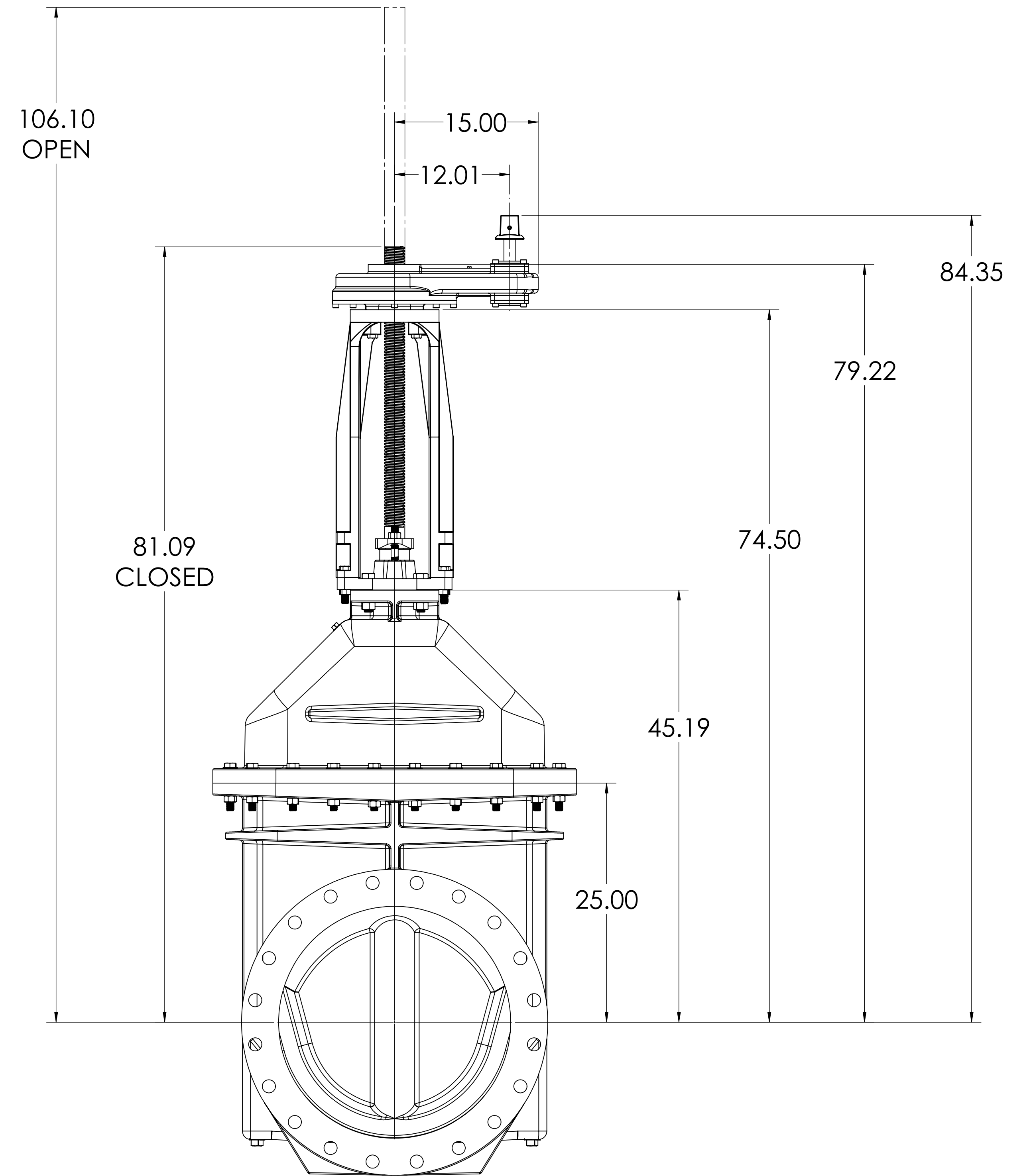
OTHER END CONNECTIONS ARE AVAILABLE UPON REQUEST

STANDARDS: ANSI B16.1, B16.3, B16.4, B16.5, B16.10, B16.11, B16.12, B16.13, B16.14, B16.15, B16.16, B16.17, B16.18, B16.19, B16.20, B16.21, B16.22, B16.23, B16.24, B16.25, B16.26, B16.27, B16.28, B16.29, B16.30, B16.31, B16.32, B16.33, B16.34, B16.35, B16.36, B16.37, B16.38, B16.39, B16.40, B16.41, B16.42, B16.43, B16.44, B16.45, B16.46, B16.47, B16.48, B16.49, B16.50, B16.51, B16.52, B16.53, B16.54, B16.55, B16.56, B16.57, B16.58, B16.59, B16.60, B16.61, B16.62, B16.63, B16.64, B16.65, B16.66, B16.67, B16.68, B16.69, B16.70, B16.71, B16.72, B16.73, B16.74, B16.75, B16.76, B16.77, B16.78, B16.79, B16.80, B16.81, B16.82, B16.83, B16.84, B16.85, B16.86, B16.87, B16.88, B16.89, B16.90, B16.91, B16.92, B16.93, B16.94, B16.95, B16.96, B16.97, B16.98, B16.99, B16.100		PROPERTY OF MCWANE CORPORATION. ALL RIGHTS AND RESERVE. THIS INFORMATION IS PROPRIETARY TO MCWANE CORPORATION AND IS UNCLASSIFIED. DISTRIBUTION IS RESTRICTED TO THE COMPANY'S EMPLOYEES AND CONTRACTORS. ALL RIGHTS RESERVED.		DATE: A-05/14/21	
CASTING TOLERANCES:		MACHINED DIMENSIONS:		MATERIAL:	
0.4": 1/32"	0.005	0.4": 1/32"	0.005	24" OS&Y C515 RESILIENT WEDGE	
0.8": 1/16"	0.010	0.8": 1/16"	0.010	GATE VALVE	
1.6": 1/8"	0.020	1.6": 1/8"	0.020	ESTIMATED WEIGHT: LBS.	
3.2": 3/16"	0.040	3.2": 3/16"	0.040	DRAWN BY: DWI	
6.4": 3/8"	0.080	6.4": 3/8"	0.080	DATE DRAWN: 12/14/20	
12.8": 3/4"	0.160	12.8": 3/4"	0.160	CHECKED BY:	
25.6": 1 1/2"	0.320	25.6": 1 1/2"	0.320	DATE CHECKED:	
51.2": 3"	0.640	51.2": 3"	0.640	SCALE: 1:8	
102.4": 6"	1.280	102.4": 6"	1.280	SOFTWARE: Solidworks 2018 SP2	
204.8": 12"	2.560	204.8": 12"	2.560	SHEET OF 7	
409.6": 24"	5.120	409.6": 24"	5.120	D	

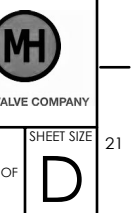
BEVEL GEAR WITH OPERATING NUT



SPUR GEAR WITH OPERATING NUT

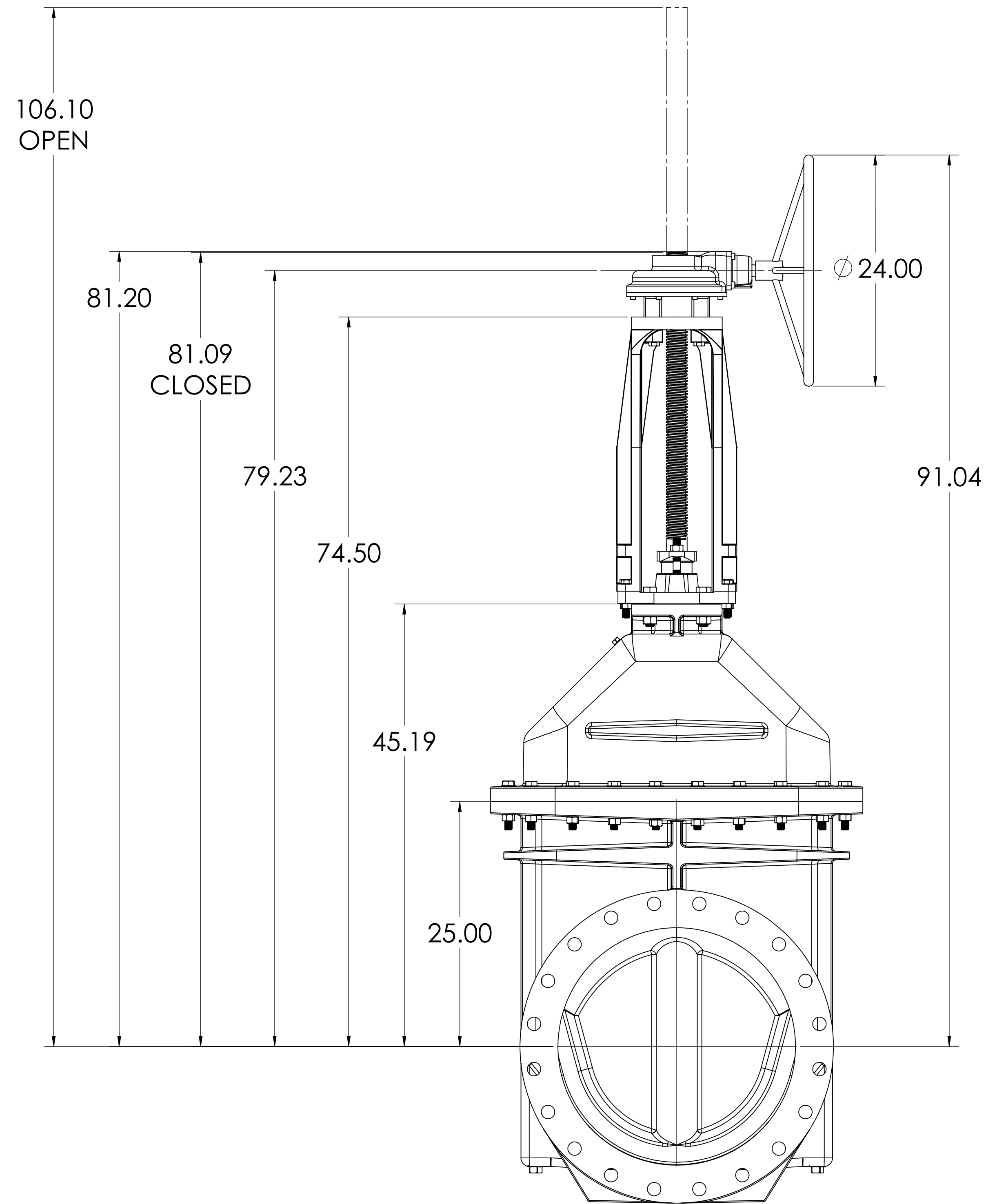


STANDARDS: ANSI/ASME B16.10, B16.41, AND B16.47 TOLERANCES AS FOLLOWS UNLESS OTHERWISE SPECIFIED.		PROPERTY OF MCWANE CORPORATION. ALL DIMENSIONS AND IDENTIFICATION ARE PROPRIETARY TO MCWANE CORPORATION AND ITS SUBSIDIARIES. REPRODUCTION OR TRANSMISSION OF THIS DOCUMENT WITHOUT THE WRITTEN PERMISSION OF MCWANE CORPORATION IS PROHIBITED. ALL RIGHTS RESERVED.		DATE: A-05/17/21
CASTING TOLERANCES:		MACHINED DIMENSIONS:		MATERIAL:
6-8":	± 1/32"	DECIMALS:	± 0.005	24" OS&Y C515 RESILIENT WEDGE
6-8":	± 0.004"	FRACTIONS:	± 1/64"	ESTIMATED WEIGHT:
8-12":	± 1/16"	ANGLE:	± 1°	LBS.
12-18":	± 3/32"	SURFACE FINISH:	125 μin	GATE VALVE
18-UP":	± 1/8"	RADIUS:	1/8"	BY: DWI DATE DRAWN: 12/14/20 CHK BY: SHE CODE: REFERENCE: 1:8
MIN RADIUS:	1/8"	MIN DRAFT:	2°	DESIGNED BY: Solidworks 2018 SP2

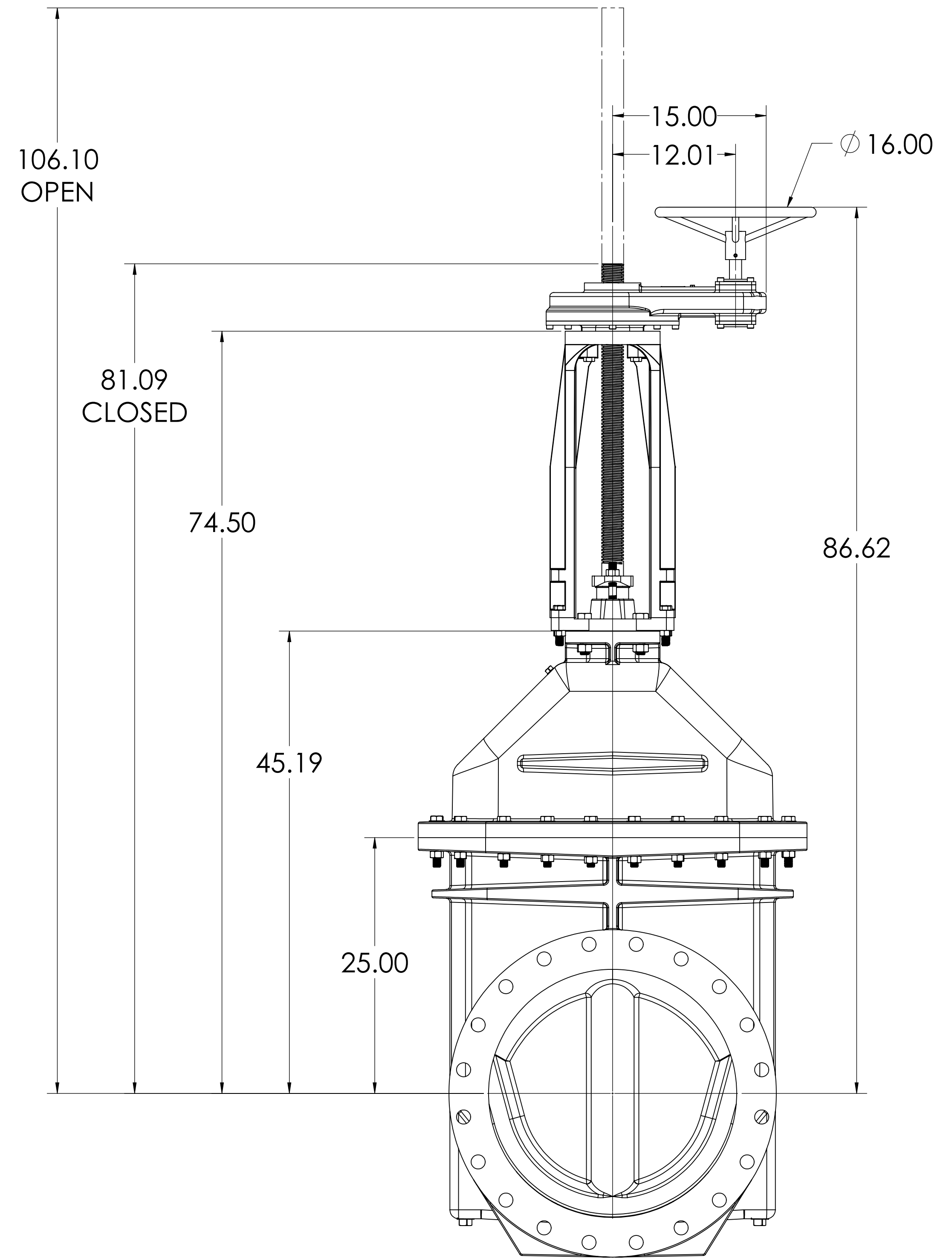


2 SHEET OF 7

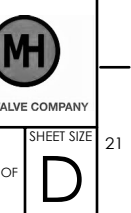
SPUR GEAR WITH HANDWHEEL



BEVEL GEAR WITH HANDWHEEL

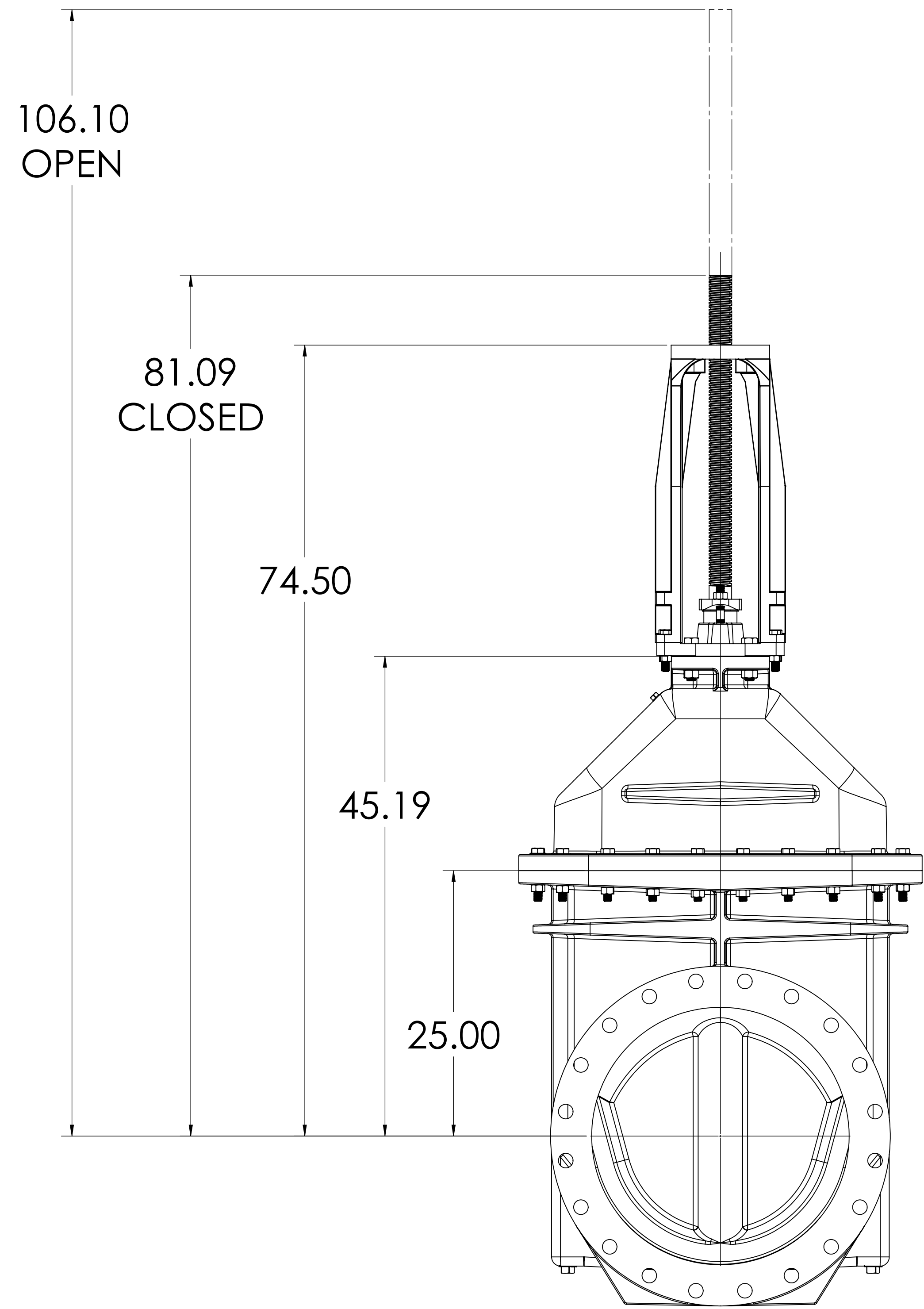


THIRD ANGLE PROJECTION STANDARDS AND METALS (SEE TABLES 11.4.1 AND 11.4.2) TOLERANCES AS FOLLOWS UNLESS OTHERWISE SPECIFIED.		PROPERTY OF MCWANE CORPORATION. ALL RIGHTS AND DESIGN INFORMATION ARE PROPRIETARY TO MCWANE CORPORATION AND ITS SUBSIDIARIES. REPRODUCTION OR TRANSMISSION IN ANY FORM OR BY ANY MEANS IS PROHIBITED WITHOUT THE WRITTEN PERMISSION OF MCWANE CORPORATION. ALL RIGHTS RESERVED.		DATE: A-05/17/21
CASTING TOLERANCES:	MATCHED DIMENSIONS	MATERIAL:	DESCRIPTION:	DESIGNER:
6-8": ± 0.005	DECIMALS: ± 0.005	ESTIMATED WEIGHT:	24" OS&Y C515 RESILIENT WEDGE	
8-12": ± 0.004	FRACTIONS: ± 1/64"	LBS.	GATE VALVE	
12-18": ± 0.003	ANGLES: ± 1°	SCALE:	1:8	
18-UP": ± 0.002	SURFACE FINISH: 125 μin	DATE DRAWN:	12/14/20	
MIN RADII: 1/8"	RADI: 1/8"	DRAWN BY:	DWI	
MIN DRAFT: 2°		CHECKED BY:		



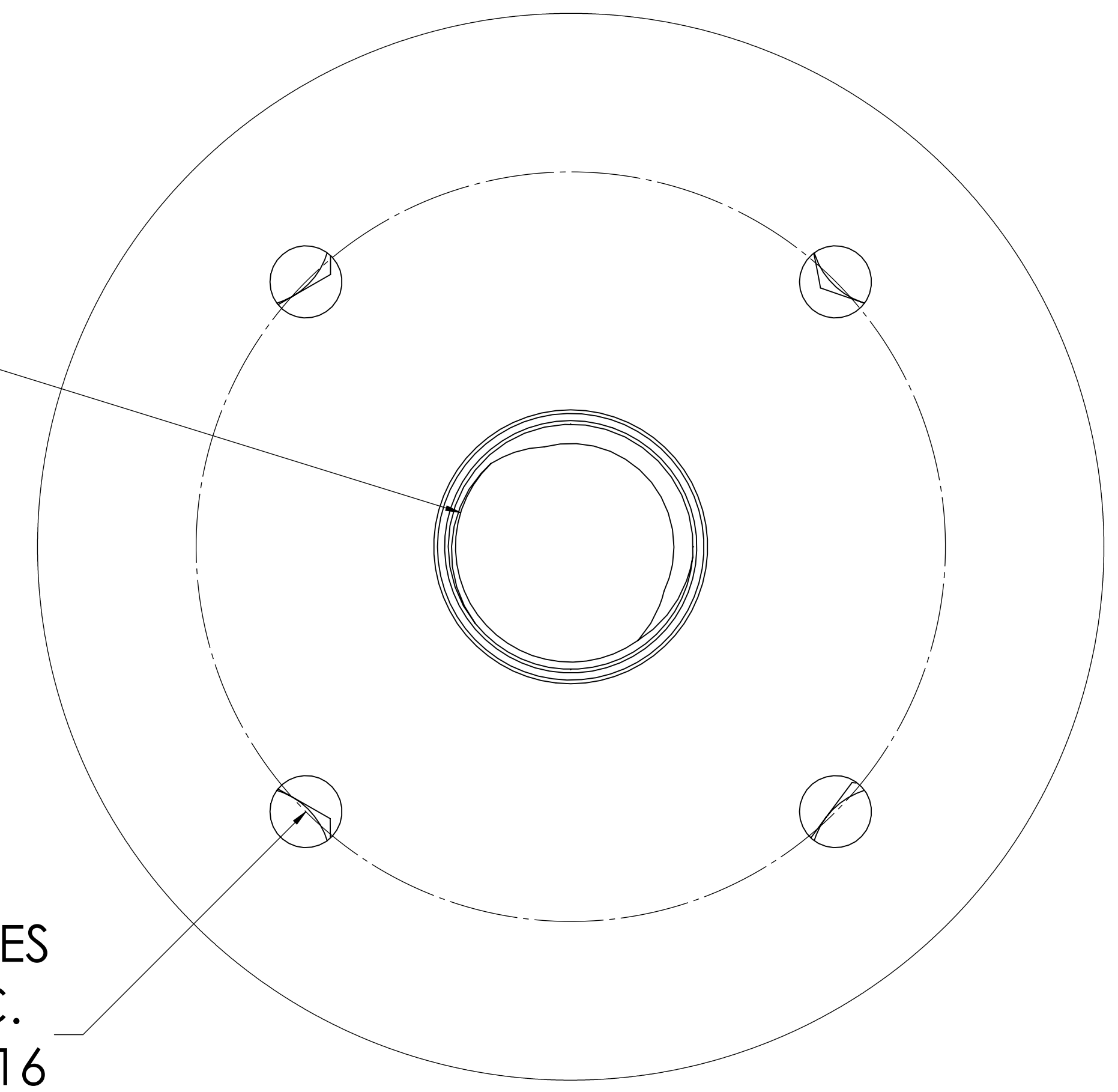
3 SHEET OF 7

BARE STEM



Ø 2.13
STEM

4 x Ø .813 HOLES
ON Ø 6.50 B.C.
STANDARD FA16
MOUNTING



BARE STEM
MOUNTING FLANGE

THIRD ANGLE PROJECTION STANDARDS: ANSI/ASME Y14.100, Y14.101, AND Y14.41 TOLERANCES AS FOLLOWS UNLESS OTHERWISE SPECIFIED.		PROPERTY OF MCWANE CORPORATION. ALL DIMENSIONS AND IDENTIFYING INFORMATION ARE PROPRIETARY TO MCWANE CORPORATION AND ITS SUBSIDIARIES. REPRODUCTION OR USE WITHOUT PERMISSION OF MCWANE CORPORATION IS PROHIBITED. ALL RIGHTS RESERVED.		DATE: A-05/17/21
CASTING TOLERANCES:	MATCHED DIMENSIONS:	MATERIAL:	DESCRIPTION: 24" OS&Y C515 RESILIENT WEDGE GATE VALVE	
0.4": ± 0.005	DECIMALS: ± 0.005	ESTIMATED WEIGHT:	LBS.	
0.8": ± 0.004	FRACTIONS: ± 1/64	DATE DRAWN: 12/14/20	DRAWN BY: DWI	CHECKED BY:
1.2": ± 0.003	ANGLES: ± 1'	DATE: 12/14/20	SCALE: 1:8	APPROVED BY:
1.6": ± 0.002	SURFACE FINISH: 125 μin	DATE: 12/14/20	SCALE: 1:8	APPROVED BY:
2.0": ± 0.001	RADIUS: ± 1/8"	DATE: 12/14/20	SCALE: 1:8	APPROVED BY:
MIN RADIUS: 1/8"	MIN DRAFT: 2°	DATE: 12/14/20	SCALE: 1:8	APPROVED BY:
SHEET 4 OF 7		SHEET 7 OF 7		SOFTWARE: Solidworks 2018 SP2

ITEM NO.	COMPONENT	QTY.	SIZE	STANDARD MATERIAL	MATERIAL OPTIONS
1	BODY	1	-	DUCTILE IRON	-
2	TRACK	2	-	316 SS	-
4	WEDGE	1	-	DUCTILE IRON / EPDM	-
5	COVER	1	-	DUCTILE IRON	-
6	SCRAPER	2	-	C95500	-
7	ROLLER	4	-	C95400	-
8	COILED SPRING PIN	4	1/2" x 2 3/4"	18-8 SS	-
9	STUFFBOX	1	-	DUCTILE IRON	-
10	BUSHING	1	-	C87850	-
11	STEM	1	-	C95400	304 SS, 316 SS
12	STEM NUT	1	-	C87850	C87610
13	PIN	1	1/2" x 3 1/4"	303 SS	-
14	O-RING	1	#327	EPDM	BUNA-N
15	O-RING	1	#474	EPDM	BUNA-N
16	PACKING GLAND	1	-	C87850	-
17	FOLLOWER	1	-	CAST IRON	-
18	YOKE	1	-	CAST IRON	-
19	O-RING	1	#425	EPDM	BUNA-N
20	CAPSCREW	20	3/4" x 4 1/2"	18-8	316 SS
21	HEX NUT	20	3/4" - 10	18-8	316 SS
22	FLAT WASHER	20	3/4"	18-8	316 SS
23	STUD	2	3/4" X 4 1/2"	YELLOW ZINC	-
24	HEX NUT	2	3/4" - 10	BRASS	-
25	CAPSCREW	4	7/8" x 3 1/2"	18-8	316 SS
26	HEX NUT	4	7/8" - 9	18-8	316 SS
27	CAPSCREW	8	5/8" x 3 1/2"	18-8	316 SS
28	HEX NUT	8	5/8" - 11	18-8	316 SS
29	PLUG	2	1 1/4" - NPT	304 SS	316 SS
30	PLUG	1	1/2" - NPT	304 SS	316 SS
31	GEAR	1	1B7	BEVEL GEAR	SPUR GEAR
32	OPERATING NUT	1	-	CAST IRON	C87850, 304 SS **24" OR 16" HANDWHEEL**
33	COILED SPRING PIN	1	10mm X 45mm	302 SS	304 SS
34	CAPSCREW	4	3/4" x 1 3/4"	18-8	316 SS

- VALVES CONFORM WITH FOLLOWING STANDARDS
 - AWWA C515
 - NSF 61
- LOW ZINC BRASS STEM AND STEM NUT AVAILABLE
- 100% DOMESTIC FASTENER AND O-RING OPTIONS AVAILABLE
- OPEN LEFT (COUNTERCLOCKWISE) AND OPEN RIGHT (CLOCKWISE) OPTIONS AVAILABLE
- TURNS TO OPEN FROM FULLY CLOSED: 228
 - +/- 5% WITH STANDARD 3:1 BEVEL OR SPUR GEAR
- AWWA MAXIMUM ALLOWABLE CLOSING TORQUE 250 FT-LBS WITH STANDARD GEARING
- OPTIONAL HANDWHEEL CAN BE SUBSTITUTED FOR STANDARD 2" SQUARE OP NUTS
 - **NOTE: STANDARD HANDWHEEL SIZES CALLED OUT IN PARTS LIST**