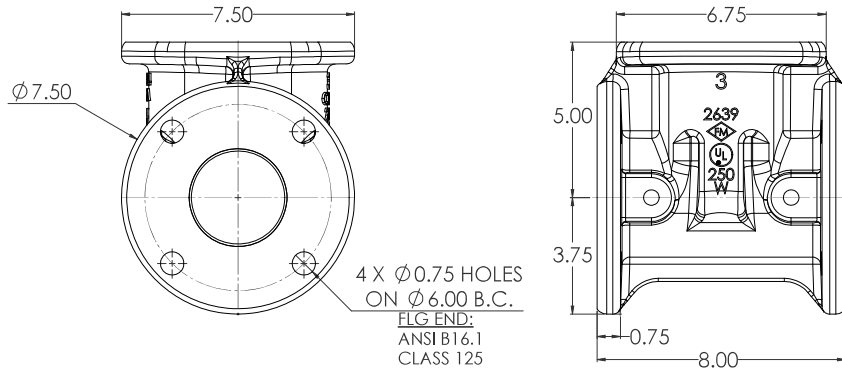
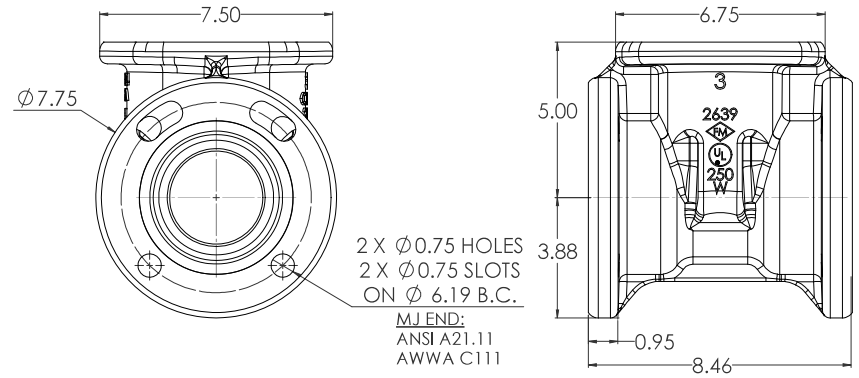


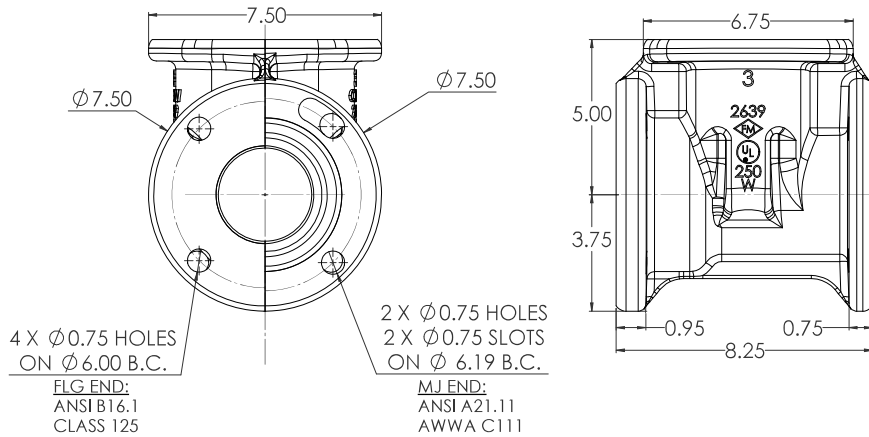
03" C509 FLG X FLG



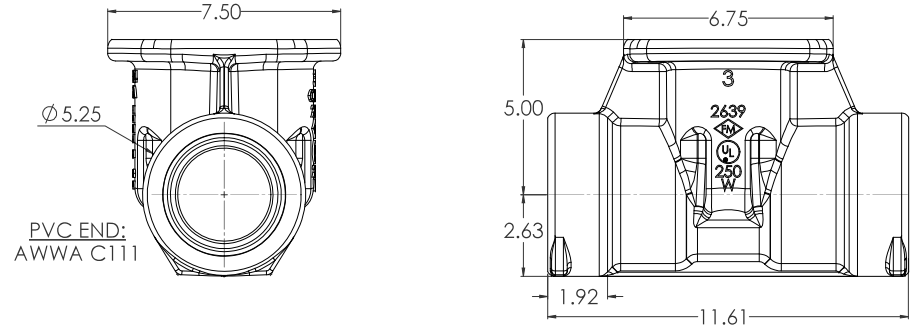
03" C509 MJ X MJ



03" C509 FLG X MJ

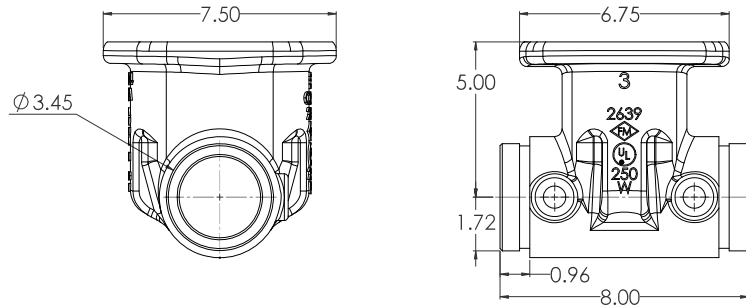


03" C509 PVC X PVC

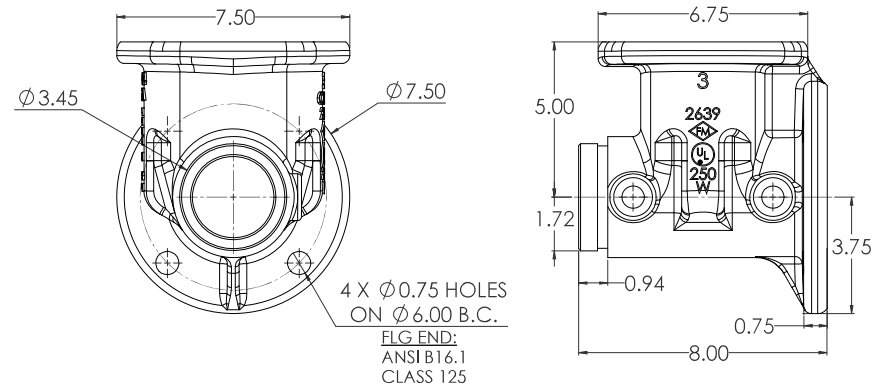


COMPANY: WATERWORKS ADDRESS: 1221 W. 12TH ST. SUITE 100 DENVER, CO 80202 PHONE: 303.733.1234 FAX: 303.733.1235 WWW: WWW.WATERWORKS.COM		PRODUCT: 03" C509 OS&Y RESILIENT LBS. WEDGE GATE VALVE MATERIAL: 304 STAINLESS STEEL WEIGHT: 12.5 LBS. PART NO.: 03C509-304-12.5 REV: 1.0		DATE: 12/1/2020 DRAWN BY: CW CHECKED BY: 12/1/2020 SCALE: 1:2 SHEET NO.: 6 TOTAL SHEETS: 6	
--	--	--	--	---	--

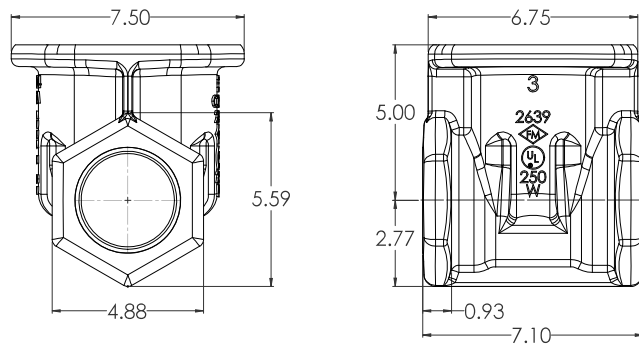
03" C509 GRVD X GRVD



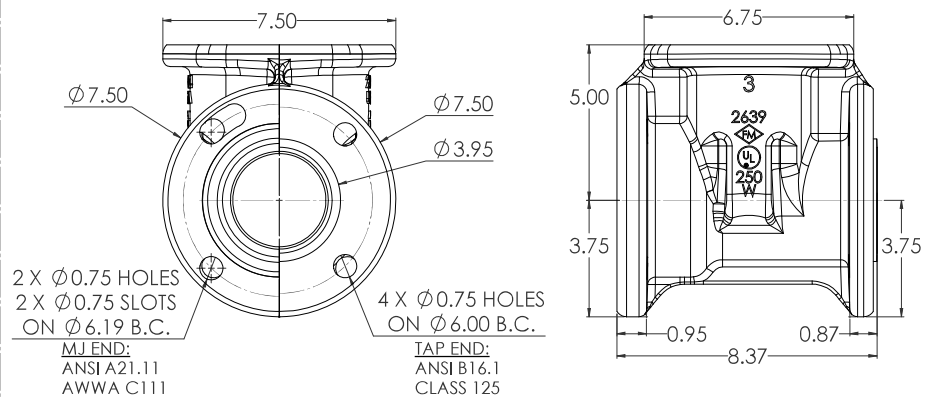
03" C509 FLG X GRVD



03" C509 THRD X THRD

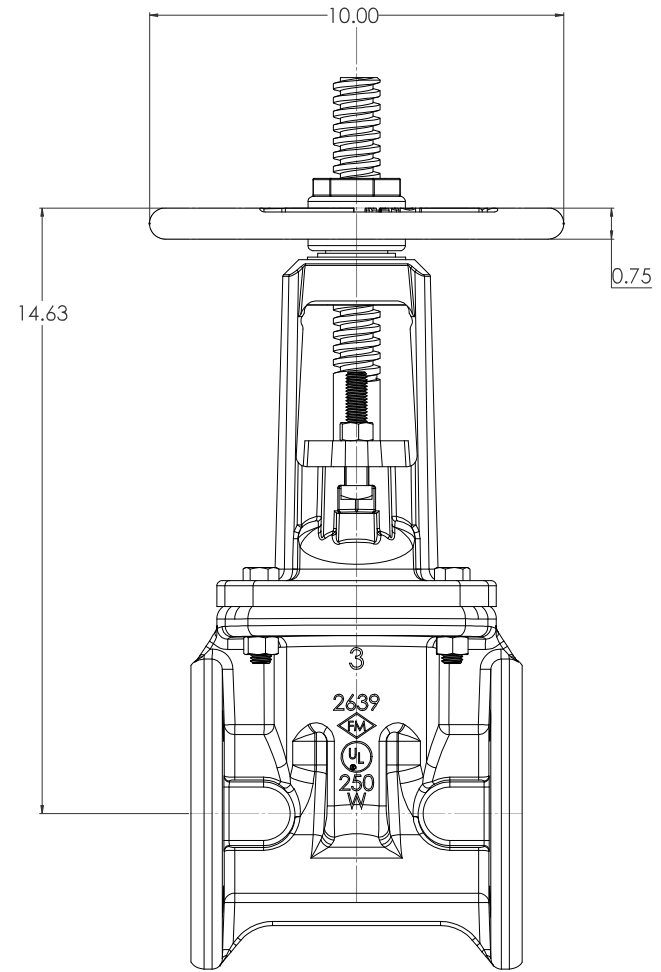
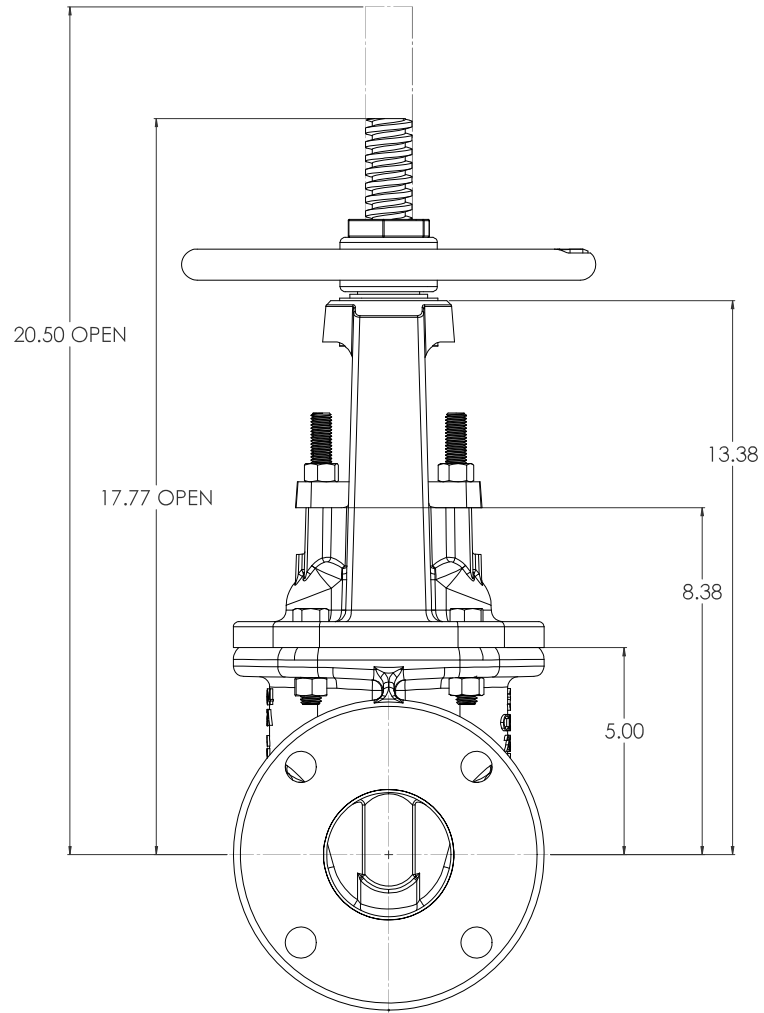


03" C509 MJ X TAP

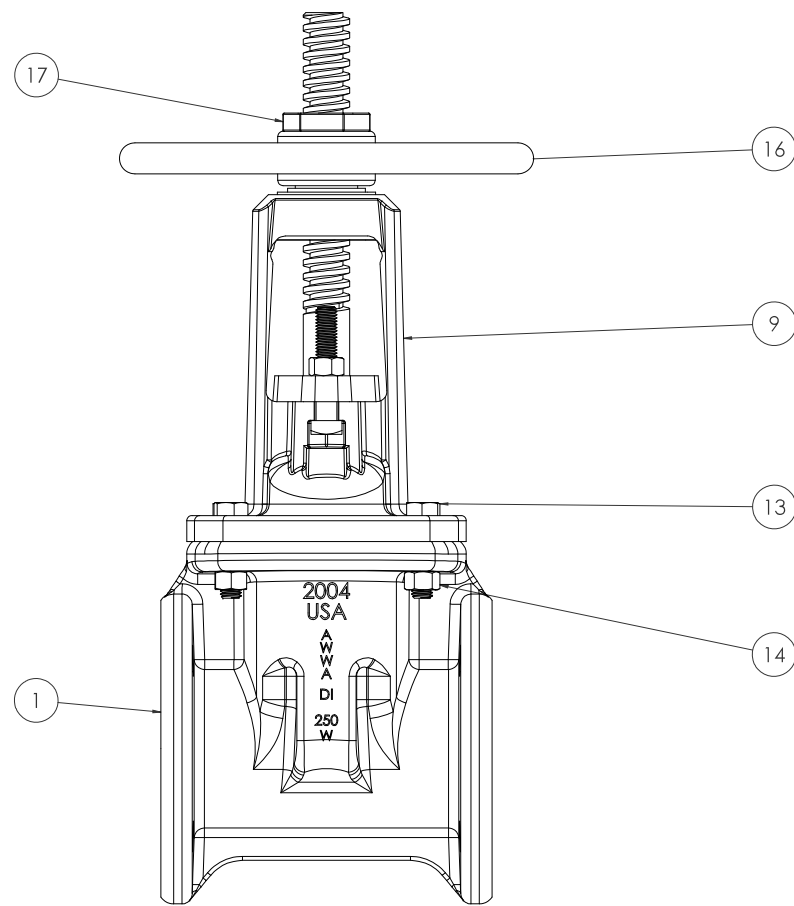
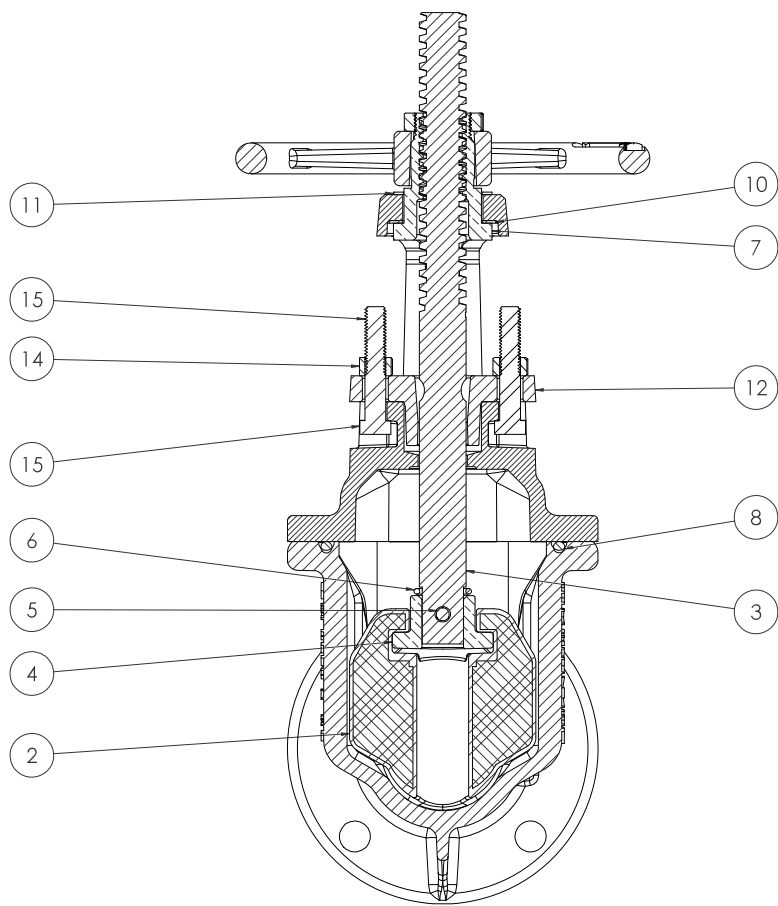


COMPANY: SOLOWORKS ADDRESS: 1271/29200 TEL: 408-255-1234 FAX: 408-255-1235 WWW: www.soloworks.com		PRODUCT: 03" C509 OS&Y RESILIENT LBS. WEDGE GATE VALVE SCALE: 1:2 DATE: 12/1/2020		SHEET: 2 TOTAL: 6 DWG NO: 1271/29200	MANUFACTURED BY: SOLOWORKS PART NO: 1271/29200
--	--	--	--	--	--

OS&Y WITH HANDWHEEL



REV 01 12/1/2020 02 12/1/2020 03 12/1/2020 04 12/1/2020 05 12/1/2020 06 12/1/2020		03" C509 OS&Y RESILIENT LBS. WEDGE GATE VALVE		3 6
CW 12/1/2020		1:5		6



COMPANY: AWA DI ADDRESS: 1000 W. 10th St., Suite 100 DENVER, CO 80202 PHONE: (303) 733-1111 FAX: (303) 733-1112 WWW: www.awadi.com		PRODUCT: 03" C509 OS&Y RESILIENT LBS. WEDGE GATE VALVE T:10 Solveworks 2016 SP2		4 6 D	
DATE: 12/1/2020 DRAWN BY: CW CHECKED BY:	REV: 1 DIMENSIONS: IN TOLERANCES: FRACTIONS: 1/16" DECIMALS: 0.001" ANGLES: 1/2°	PART NUMBER: 03" C509 OS&Y RESILIENT LBS. WEDGE GATE VALVE T:10 MANUFACTURED IN: USA	WEIGHT: 10.00 LBS VOLUME: 0.00 CU FT	MATERIAL: 304 SS FINISH: POLISHED	MANUFACTURED IN: USA

