

VALVE SIZE	A	B	C	D	E	F	G	H	WEIGHT
30	39 1/2	1 11/16	35 1/2	71 3/8	54 3/4	20	1	14 7/8	5,400
36	46 1/2	2	38 3/4	81 1/16	58 7/8	24	1	14 7/8	7,200
42	54	2	39	98 3/8	78	28	1 1/4	17	15,200
48	60 3/4	2	42	101 3/8	78	32	1 1/4	17	15,500

TURNS TO OPEN: (30"=587) (36"=705) (42"=1,056) (48"=1,200)
 HANDWHEEL OPTIONAL: (30"&36"=24" DIAMETER) (42"-54"=28" DIAMETER)

M&H VALVE COMPANY
 ANNISTON, ALABAMA
 A DIVISION OF MCWANE INC.

DWN: TRIJ
 DATE: 9/1/12
 DWG. NO.
 LRW54

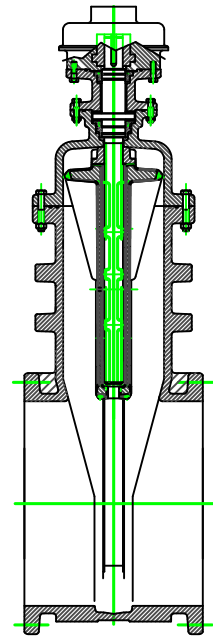
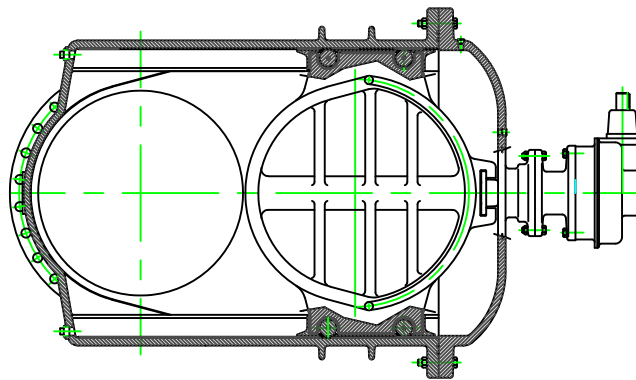
30" to 48"
 RESILIENT SEAT GATE VALVE
 C515-STYLE 7571
 (WITH BEVEL GEAR)
 (WITH ROLLERS, TRACKS, SCRAPPERS)
 MJ X MJ

ITEM	DESCRIPTION	MATERIAL	ASTM SPEC.
1	BODY	DUCTILE IRON	ASTM A536 64-45-12
2	BOLT	STAINLESS STEEL	AISI 18-8 SS
3	NUT	STAINLESS STEEL	AISI 18-8 SS
4	WEDGE CASTING	DUCTILE IRON	ASTM A536 64-45-12
5	MOLDED RUBBER ON WEDGE	RUBBER	EPDM
6	STEM NUT	COPPER ALLOY	ASTM B763 C87610
7	EXTENSION-ACTUATOR	DUCTILE IRON	ASTM A536 64-45-12
8	BOLT	STAINLESS STEEL	AISI 18-8 SS
9	NUT	STAINLESS STEEL	AISI 18-8 SS
10	KEY	STEEL	-----
11	BEVEL GEAR ACTUATOR	(PURCHASED PART)	-----
12	O-RING	RUBBER	EPDM
13	BOLT	STAINLESS STEEL	AISI 18-8 SS
14	BUSHING-STEM GUIDE	COPPER ALLOY	ASTM B584 C83600
15	O-RING	RUBBER	EPDM
16	THRUST BEARING	NYLATRON	-----
17	O-RING	RUBBER	EPDM
18	COVER BUSHING	COPPER ALLOY	ASTM B584 C83600
19	O-RING	RUBBER	EPDM
20	COVER	DUCTILE IRON	ASTM A536 65-45-12
21	O-RING-COVER OUTER	RUBBER	EPDM
22	STEM	COPPER ALLOY	ASTM B584 C86700
*23	PIPE PLUG	STAINLESS STEEL	AISI 316 SS
24	ACTUATOR DRIVE BUSHING	STEEL	-----
25	O-RING	RUBBER	EPDM
27	SCRAPER	COPPER ALLOY	ASTM B148 C95400
28	TRACK	STAINLESS STEEL	AISI 316 SS
29	ROLLER	COPPER ALLOY	ASTM B148 C95400
30	PIN-ROLLERS	STAINLESS STEEL	AISI 304 SS
31	O-RING-COVER INNER	RUBBER	EPDM
**32	PIPE PLUGS	STAINLESS STEEL	AISI 316 SS

ACTUATOR RATIO (30" & 36" = 6:1) (42"-54" = 8:1)

*COVER PIPE PLUG SIZE (30" & 36" = 3/4") (42"-54" = 1")

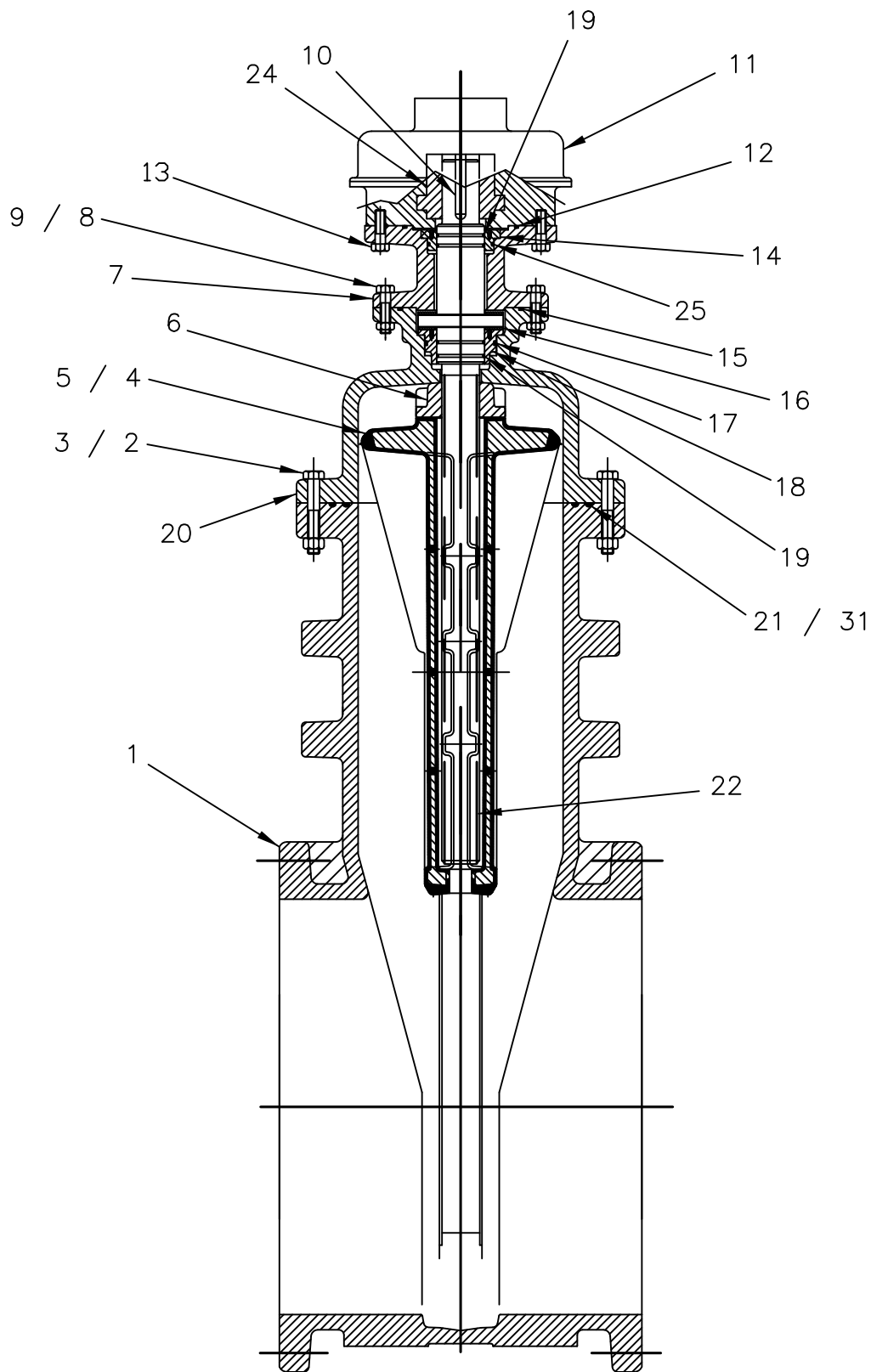
**BODY PIPE PLUG SIZE (30" & 36" = 1 1/4") (42"-54" = 1 1/2")



M&H VALVE COMPANY
ANNISTON, ALABAMA
A DIVISION OF MCWANE INC.

DWN: CTJ
DATE: 7/24/19
DWG. NO.
LRW52

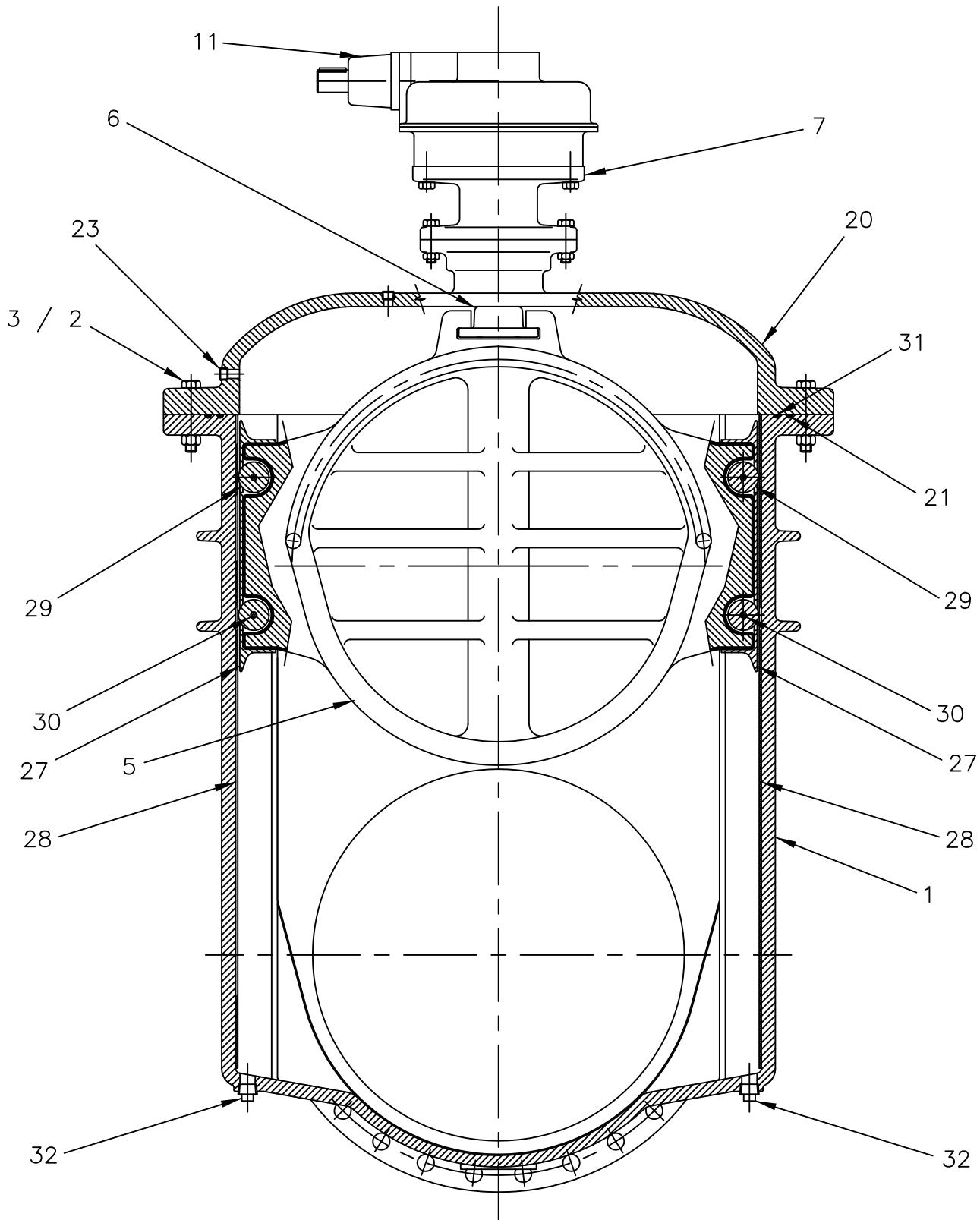
30" THRU 54"
RESILIENT SEAT GATE VALVE
C515-SERIES 7000
(WITH BEVEL GEAR)
(WITH ROLLERS, TRACKS, SCRAPPERS)
MATERIAL LIST



M&H VALVE COMPANY
ANNISTON, ALABAMA
A DIVISION OF MCWANE INC.

DWN: TRIJ
DATE: 9/1/12
DWG. NO.
LRW50

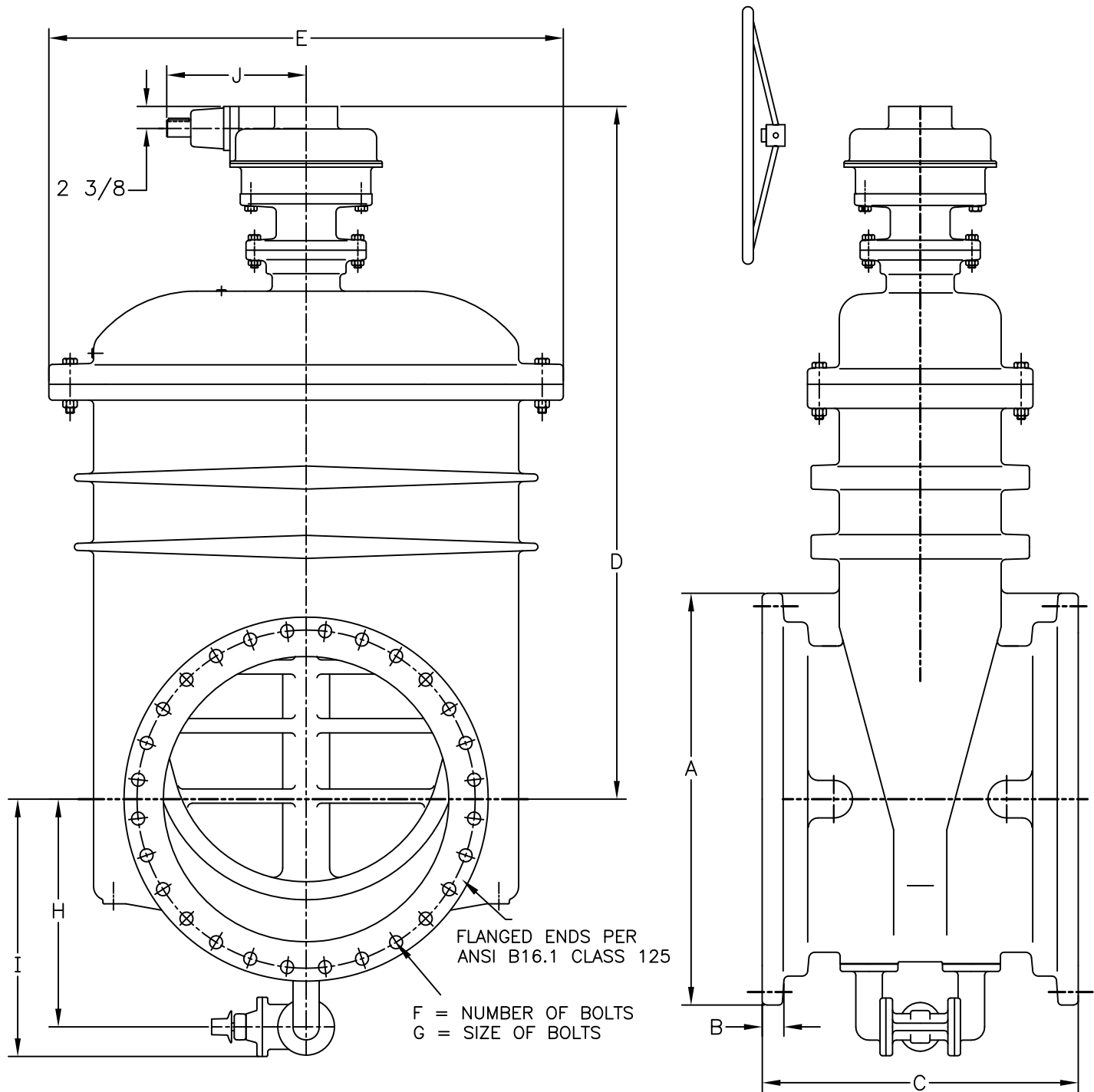
30" THRU 54"
RESILIENT SEAT GATE VALVE
C515-7000 SERIES
(WITH BEVEL GEAR)
(WITH ROLLERS, TRACKS, SCRAPPERS)
ASSEMBLY DRAWING 1



M&H VALVE COMPANY
 ANNISTON, ALABAMA
 A DIVISION OF MCWANE INC.

DWN: TRIJ
DATE: 9/1/12
DWG. NO. LRW51

30" THRU 54"
 RESILIENT SEAT GATE VALVE
 C515-7000 SERIES
 (WITH BEVEL GEAR)
 (WITH ROLLERS, TRACKS, SCRAPPERS)
 ASSEMBLY DRAWING 2



VALVE SIZE	A	B	C	D	E	F	G	H	I	J	WEIGHT
30	39 1/2	1 11/16	35 1/2	73 3/4	54 3/4	20	1	24	27	14 7/8	5,400
36	46 1/2	2	38 3/4	83 7/16	58 7/8	24	1	27 1/4	30 1/4	14 7/8	7,200
42	54	2	39	100 3/4	78	28	1 1/4	30 15/16	35 7/16	17	15,200
48	60 3/4	2	42	103 3/4	78	32	1 1/4	33 15/16	38 7/16	17	15,500

URNS TO OPEN: (30"=587) (36"=705) (42"=1,056) (48"=1,200)

HANDWHEEL OPTIONAL: (30"&36"=24" DIAMETER) (42"&48"=28" DIAMETER)

M&H VALVE COMPANY
ANNISTON, ALABAMA
A DIVISION OF MCWANE INC.

DWN: TRIJ

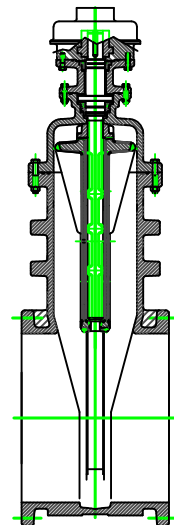
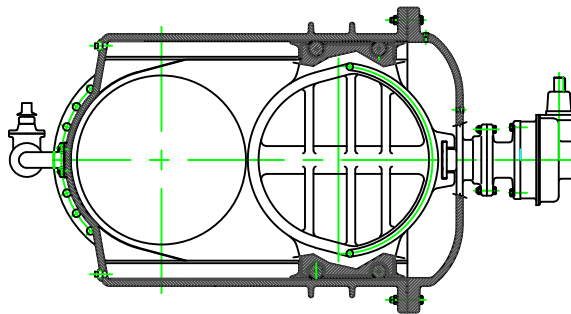
DATE: 9/1/12

DWG. NO.
LRW54BPV

30" THRU 48"
RESILIENT SEAT GATE VALVE
C515-STYLE 7571
(WITH BEVEL GEAR)(WITH BY-PASS)
(WITH ROLLERS, TRACKS, SCRAPPERS)
MJ X MJ

ITEM	DESCRIPTION	MATERIAL	ASTM SPEC.
1	BODY	DUCTILE IRON	ASTM A536 64-45-12
2	BOLT	STAINLESS STEEL	AISI 18-8 SS
3	NUT	STAINLESS STEEL	AISI 18-8 SS
4	WEDGE CASTING	DUCTILE IRON	ASTM A536 64-45-12
5	MOLDED RUBBER ON WEDGE	RUBBER	EPDM
6	STEM NUT	COPPER ALLOY	ASTM B763 C87610
7	EXTENSION-ACTUATOR	DUCTILE IRON	ASTM A536 64-45-12
8	BOLT	STAINLESS STEEL	AISI 18-8 SS
9	NUT	STAINLESS STEEL	AISI 18-8 SS
10	KEY	STEEL	-----
11	BEVEL GEAR ACTUATOR	(PURCHASED PART)	-----
12	O-RING	RUBBER	EPDM
13	BOLT	STAINLESS STEEL	AISI 18-8 SS
14	BUSHING-STEM GUIDE	COPPER ALLOY	ASTM B584 C83600
15	O-RING	RUBBER	EPDM
16	THRUST BEARING	NYLATRON	-----
17	O-RING	RUBBER	EPDM
18	COVER BUSHING	COPPER ALLOY	ASTM B584 C83600
19	O-RING	RUBBER	EPDM
20	COVER	DUCTILE IRON	ASTM A536 65-45-12
21	O-RING-COVER OUTER	RUBBER	EPDM
22	STEM	COPPER ALLOY	ASTM B584 C86700
**23	PIPE PLUG	STAINLESS STEEL	AISI 316 SS
24	ACTUATOR DRIVE BUSHING	STEEL	-----
25	O-RING	RUBBER	EPDM
27	SCRAPER	COPPER ALLOY	ASTM B148 C95400
28	TRACK	STAINLESS STEEL	AISI 316 SS
29	ROLLER	COPPER ALLOY	ASTM B148 C95400
30	PIN-ROLLERS	STAINLESS STEEL	AISI 18-8 SS
31	O-RING-COVER INNER	RUBBER	EPDM
***32	BYPASS VALVE	DUCTILE IRON	PER AWWA C515
33	BYPASS ELBOWS	DUCTILE IRON	ASTM A536 65-45-12
**34	PIPE PLUGS	STAINLESS STEEL	AISI 316 SS

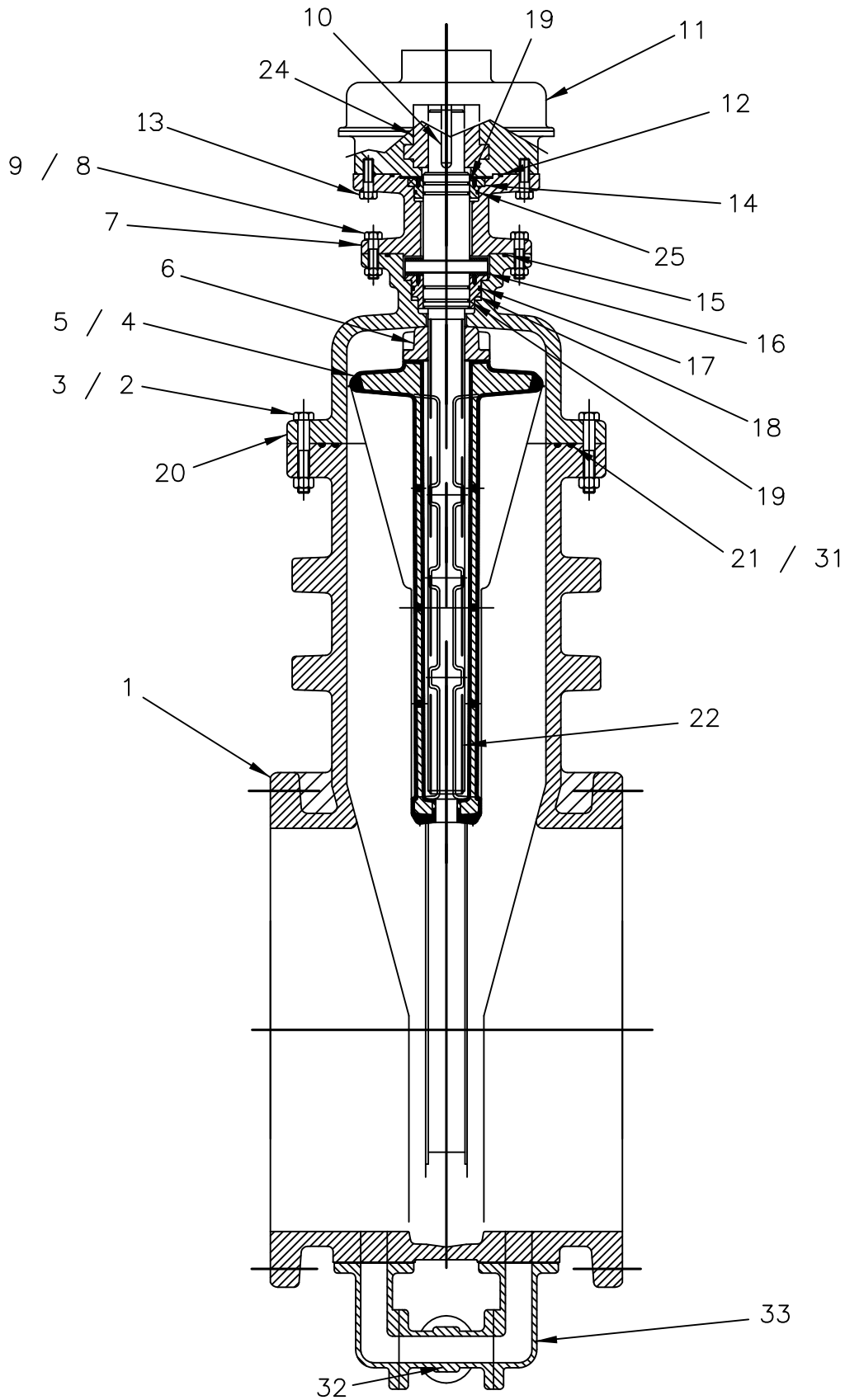
ACTUATOR RATIO (30"&36"=6:1) (42"-54"=8:1)
 *COVER PIPE PLUG SIZE (30"&36"=3/4") (42"-54"=1")
 **BODY PIPE PLUG SIZE (30"&36"=1 1/4") (42"-54"=1 1/2")
 ***BY-PASS VALVE SIZE (30"&36"=2") (42"-54"=4")



M&H VALVE COMPANY
 ANNISTON, ALABAMA
 A DIVISION OF MCWANE INC.

DWN: CTJ
 DATE: 7/24/19
 DWG. NO.
 LRW52BPV

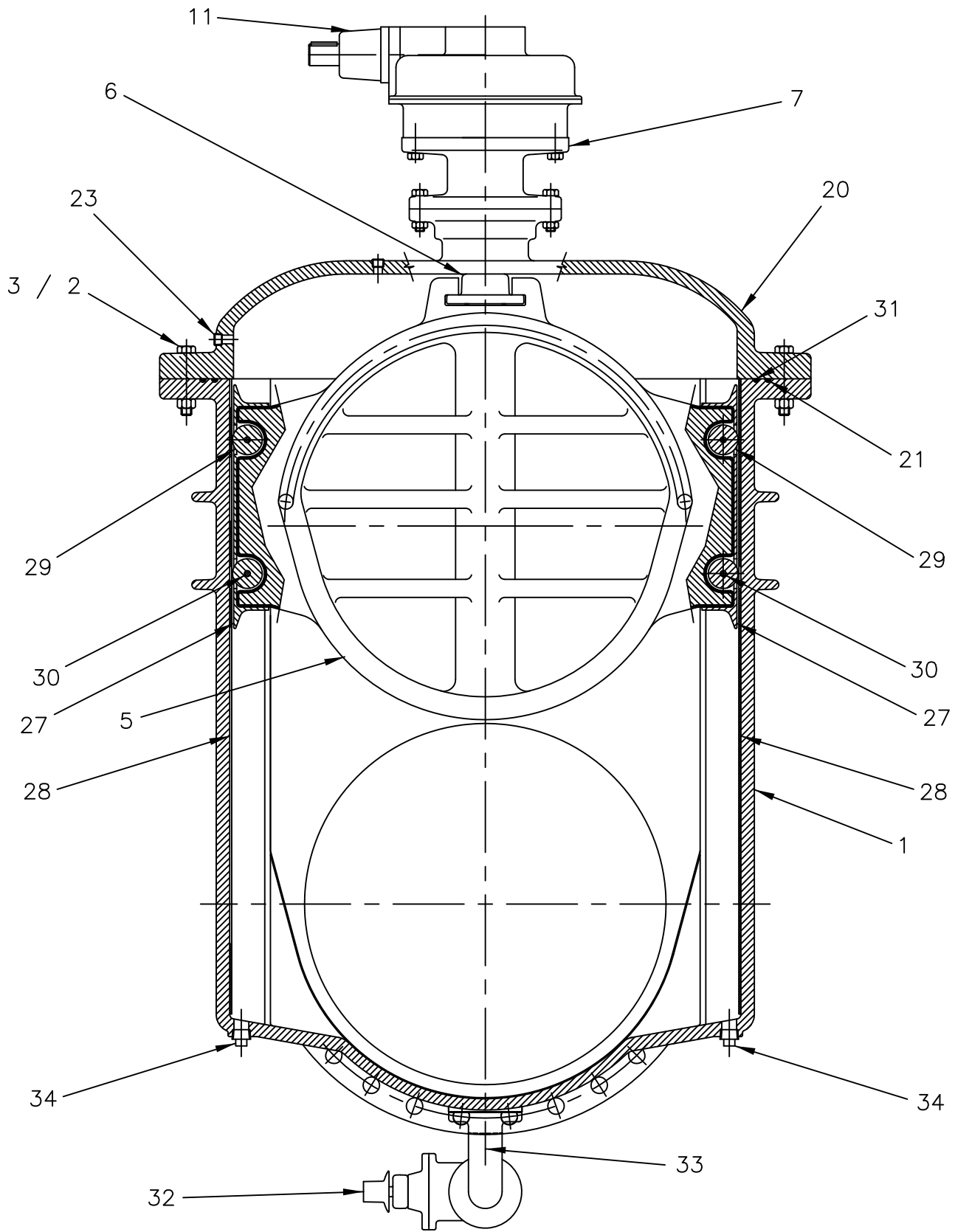
30" THRU 54"
 RESILIENT SEAT GATE VALVE
 C515-SERIES 7000
 (WITH BEVEL GEAR)(WITH BY-PASS)
 (WITH ROLLERS, TRACKS, SCRAPPERS)
 MATERIAL LIST



M&H VALVE COMPANY
ANNISTON, ALABAMA
A DIVISION OF MCWANE INC.

DWN: TRIJ
DATE: 9/1/12
DWG. NO. LRW50BPV

30" THRU 54"
RESILIENT SEAT GATE VALVE
C515-7000 SERIES
(WITH BEVEL GEAR)(WITH BY PASS)
(WITH ROLLERS, TRACKS, SCRAPPERS)
ASSEMBLY DRAWING 1



M&H VALVE COMPANY
ANNISTON, ALABAMA
A DIVISION OF MCWANE INC.

DWN: TRIJ
DATE: 9/1/12
DWG. NO.
LRW51BPV

30" THRU 54"
RESILIENT SEAT GATE VALVE
C515-7000 SERIES
(WITH BEVEL GEAR)(WITH BY-PASS)
(WITH ROLLERS, TRACKS, SCRAPPERS)
ASSEMBLY DRAWING 2