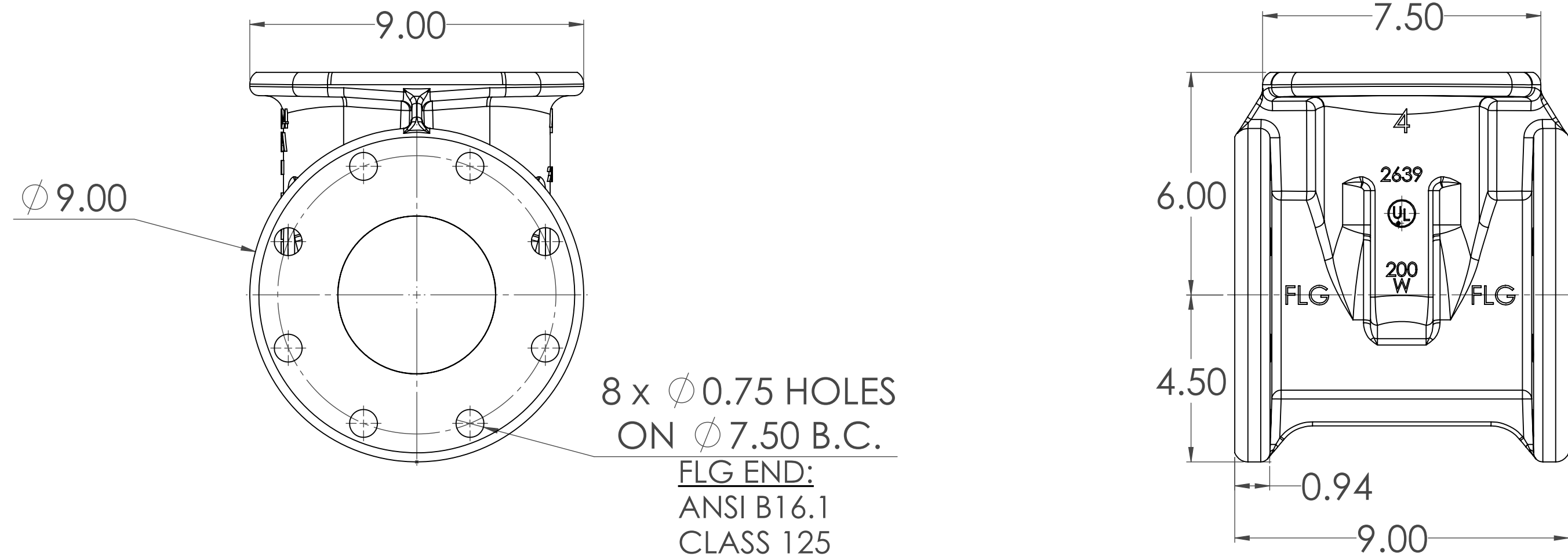
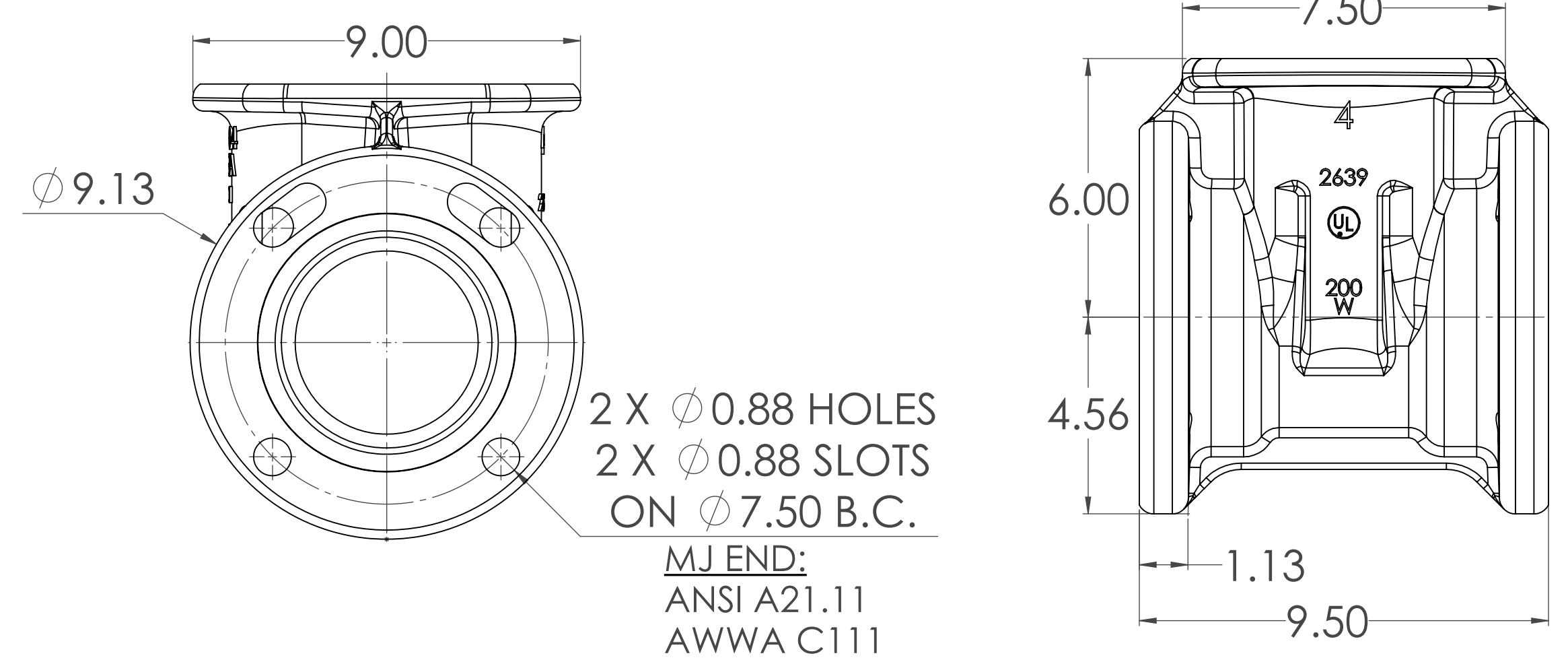


04" C509 FLG X FLG



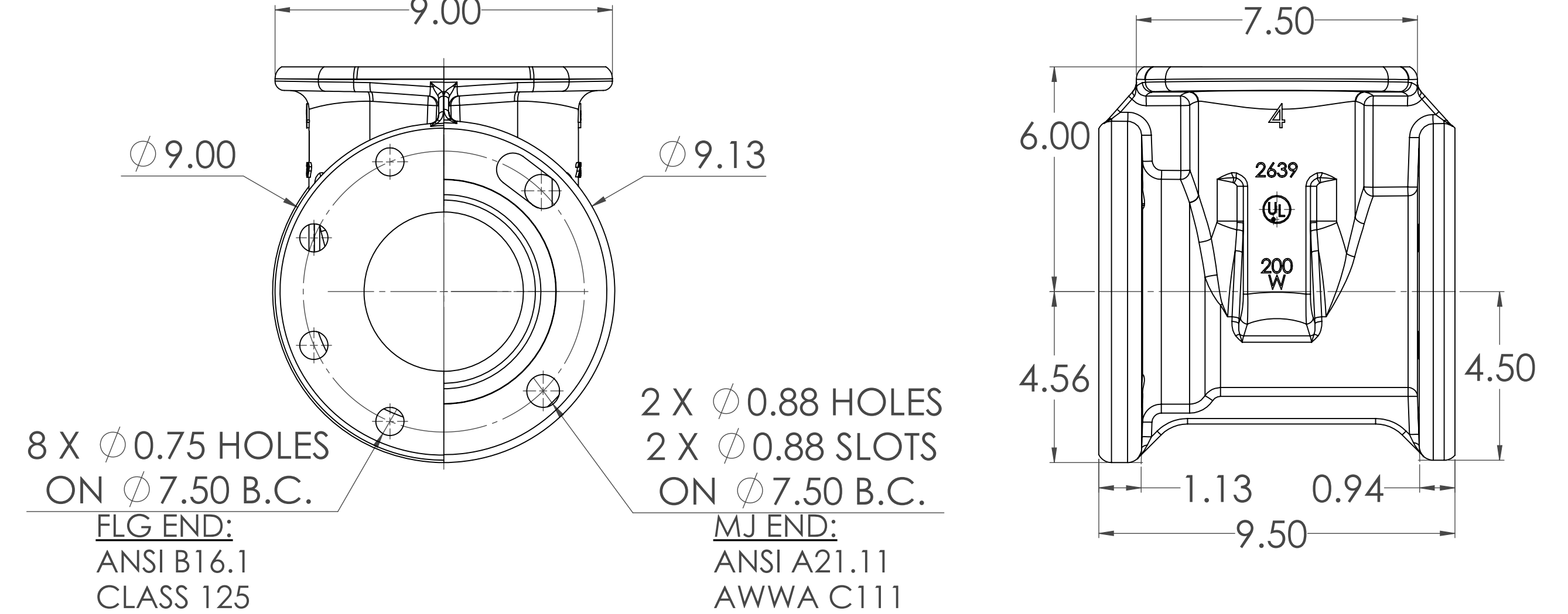
04" C509 MJ X MJ



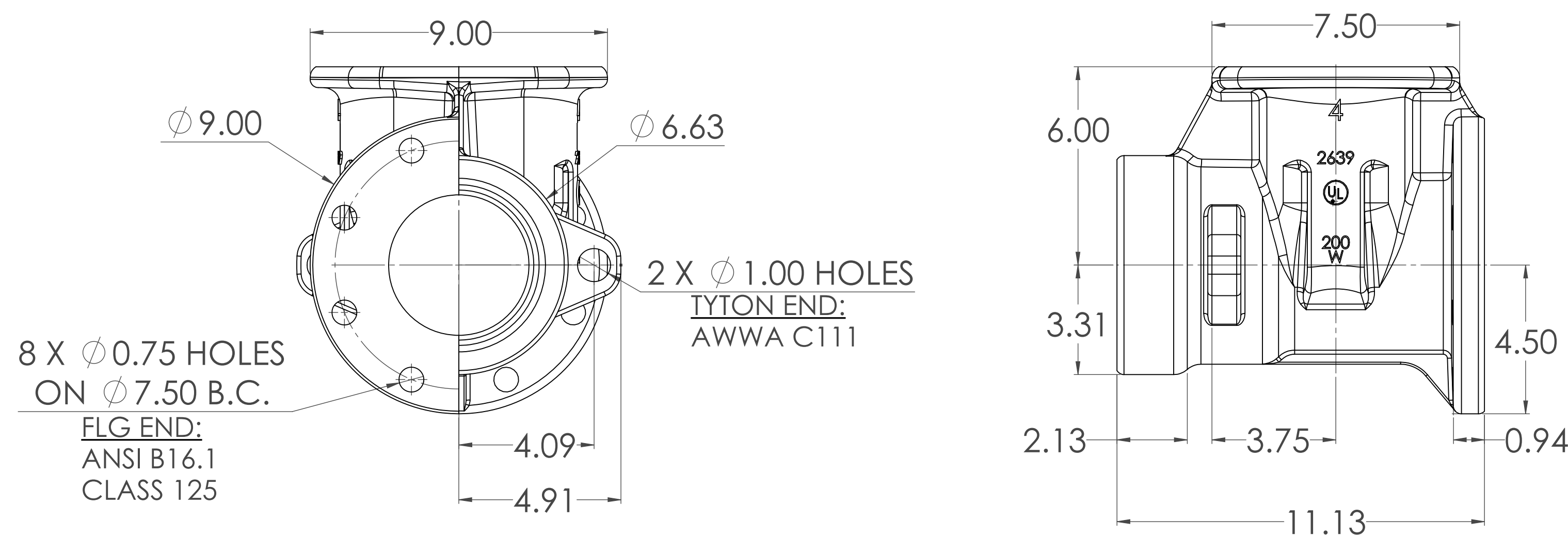
04" C509 TYTON X TYTON



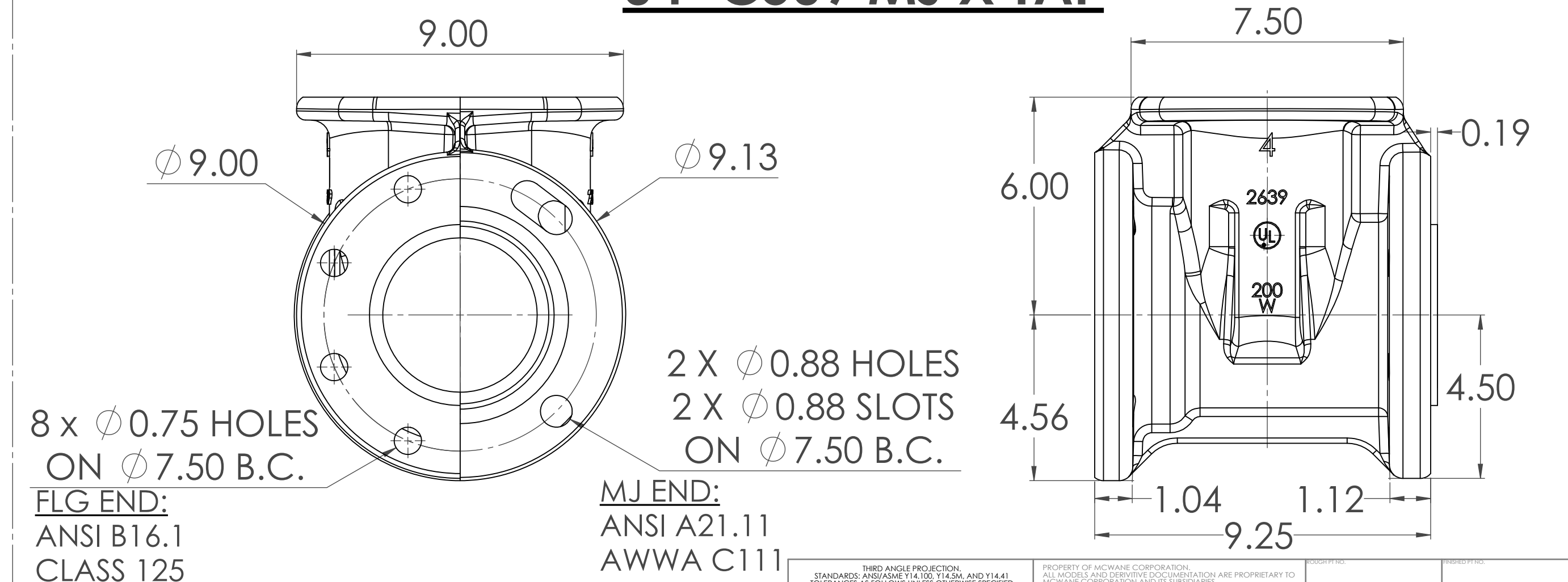
04" C509 FLG X MJ



04" C509 FLG X TYTON

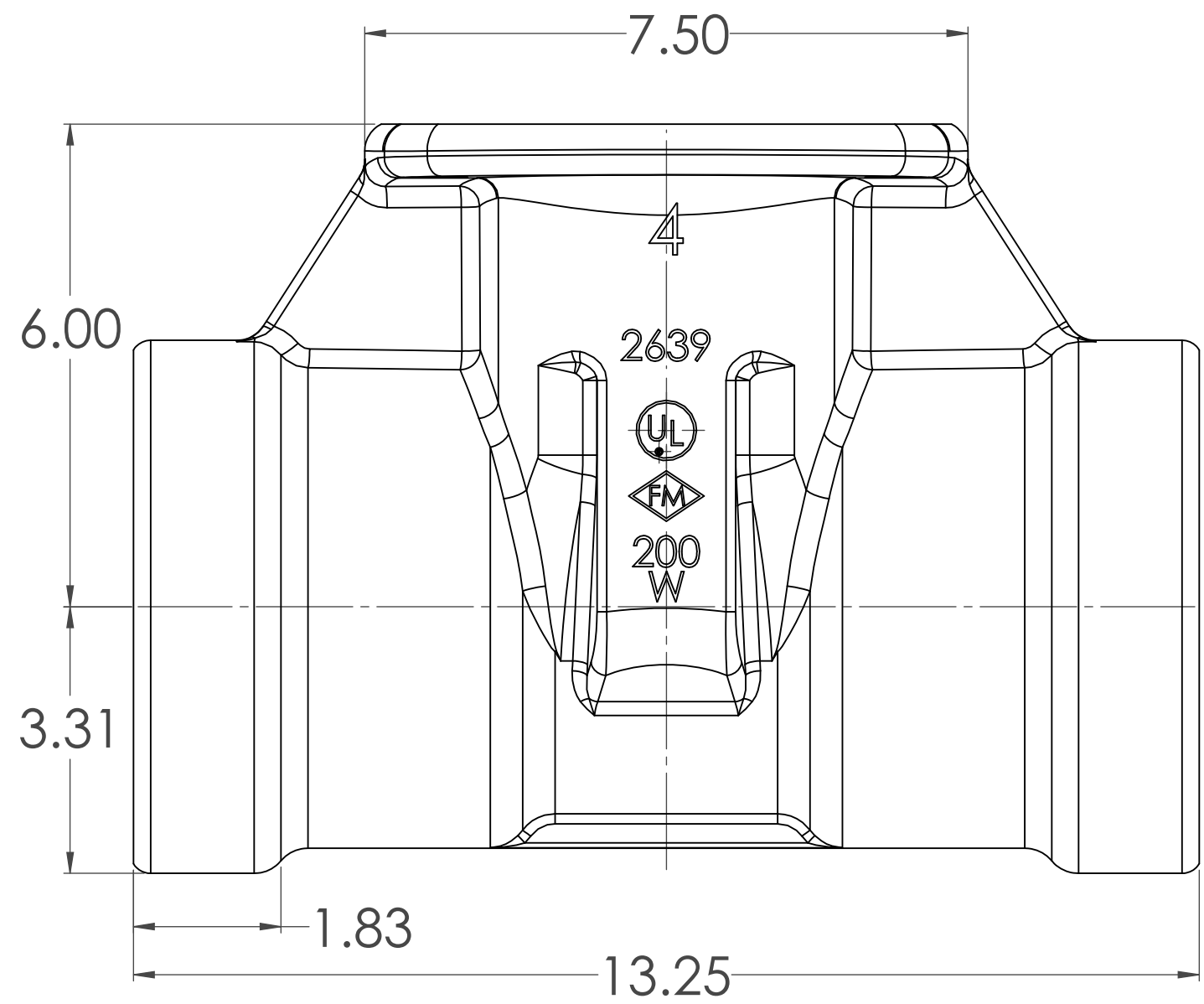
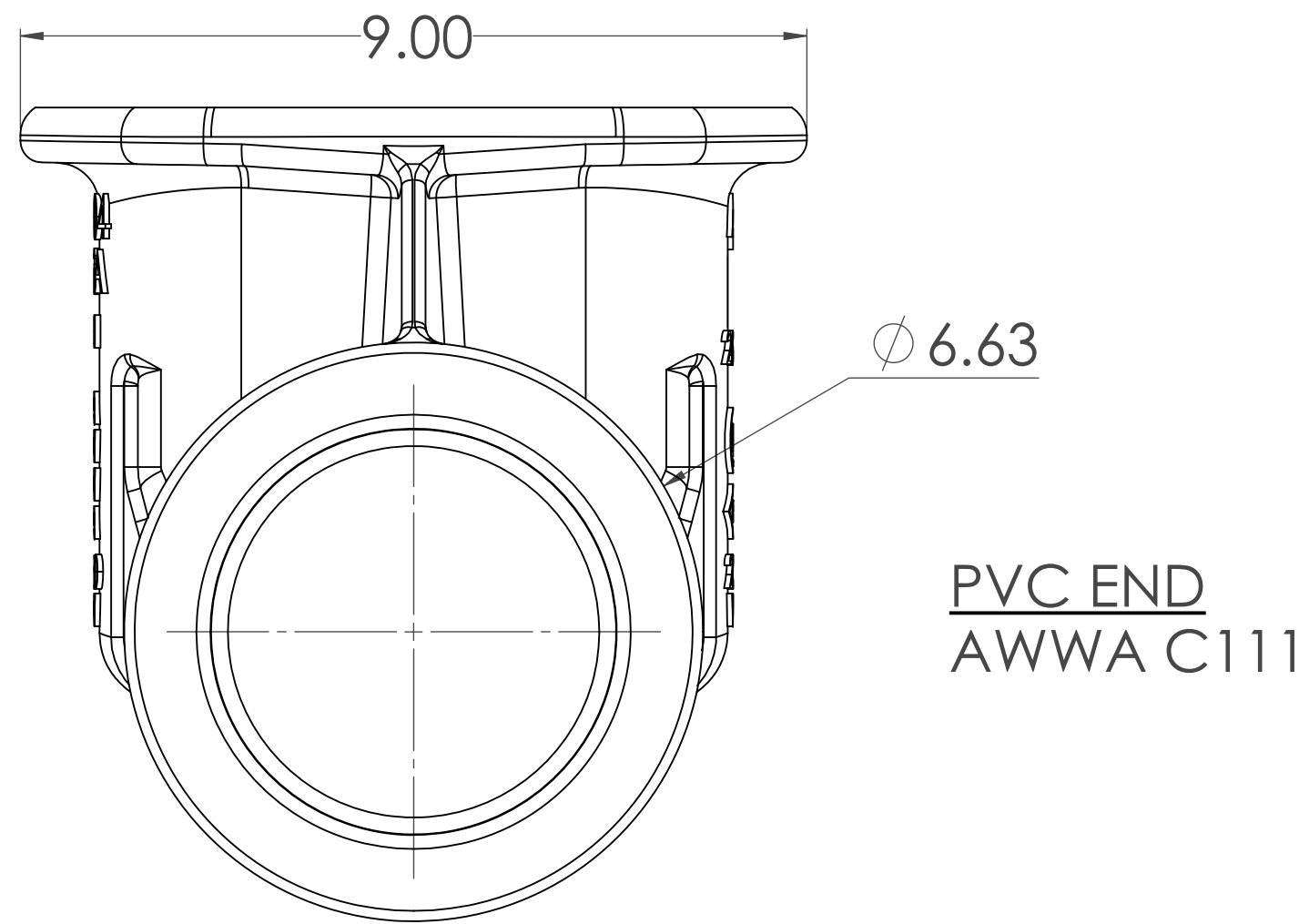


04" C509 MJ X TAP



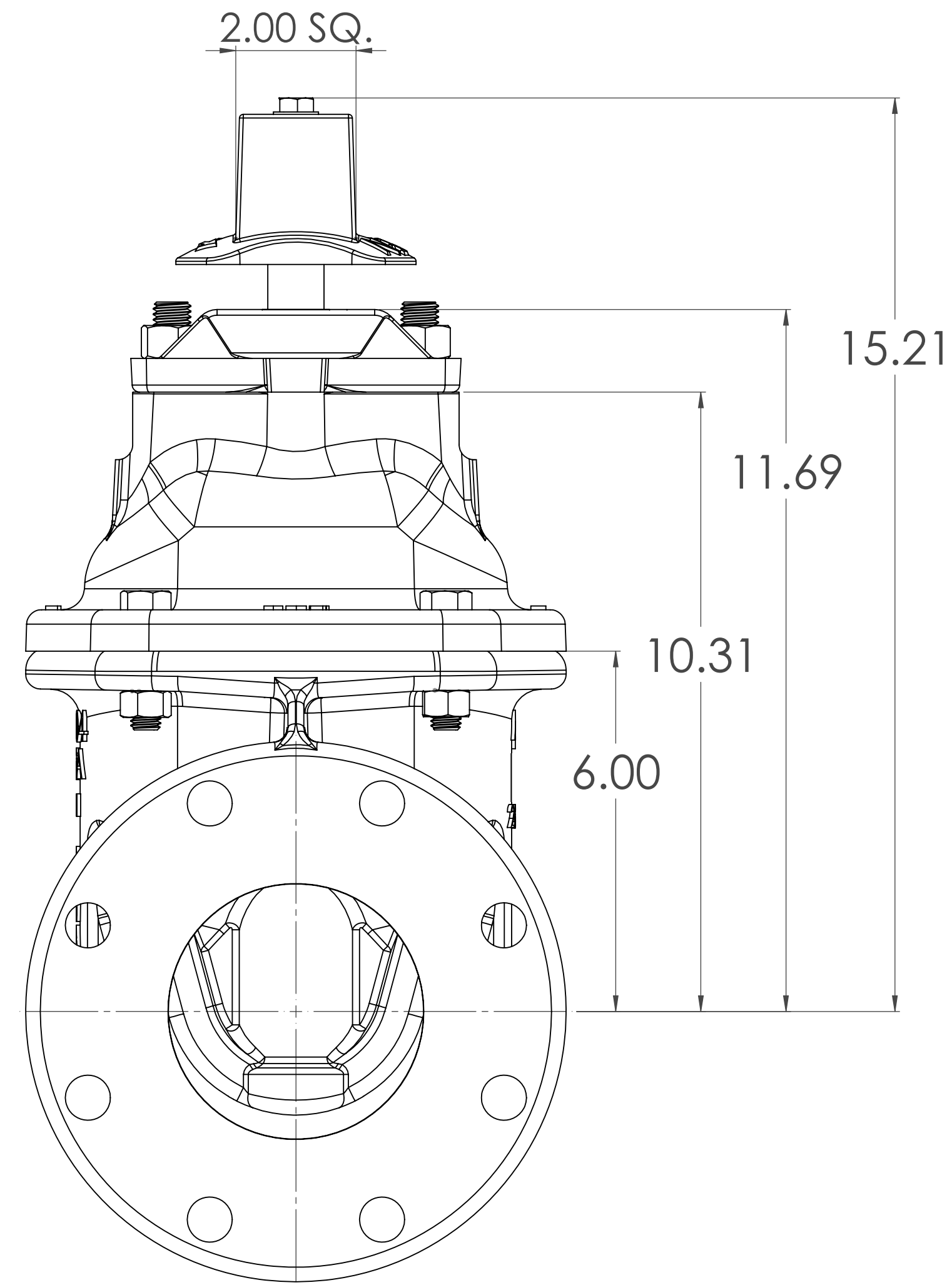
STANDARDS: ANSI/ASME B16.10, B16.11, AND B16.41. TOLERANCES AS FOLLOWS UNLESS OTHERWISE SPECIFIED.		PROPERTY OF MACHANE CORPORATION. ALL RIGHTS RESERVED. THIS DRAWING AND ITS CONTENTS ARE PROPRIETARY TO MACHANE CORPORATION AND ITS SUBSIDIARIES. IT IS TO BE USED ONLY FOR THE PROJECT AND SITE SPECIFICALLY IDENTIFIED HEREON. ANY REUSE OR REPRODUCTION WITHOUT THE WRITTEN PERMISSION OF MACHANE CORPORATION IS STRICTLY PROHIBITED.	
CASTING TOLERANCES:	DECIMALS: ±0.005	FRACTIONS: ±0.004	ANGLES: ±1°
4-6": ±0.005	6-12": ±0.004	12-18": ±0.003	18-24": ±0.002
MIN. RADIUS: 1/8"	MAX. RADIUS: 2"	SURFACE FINISH: 125 μm	RA: 1/8"
ESTIMATED WEIGHT:		DESCRIPTION: 04" C509 NRS RESILIENT LBS. WEDGE GATE VALVE	
DESIGNED BY: CW	CHECKED BY: []	DATE: 12/1/2020	SHEET NO. 1 OF 6

04" C509 PVC X PVC

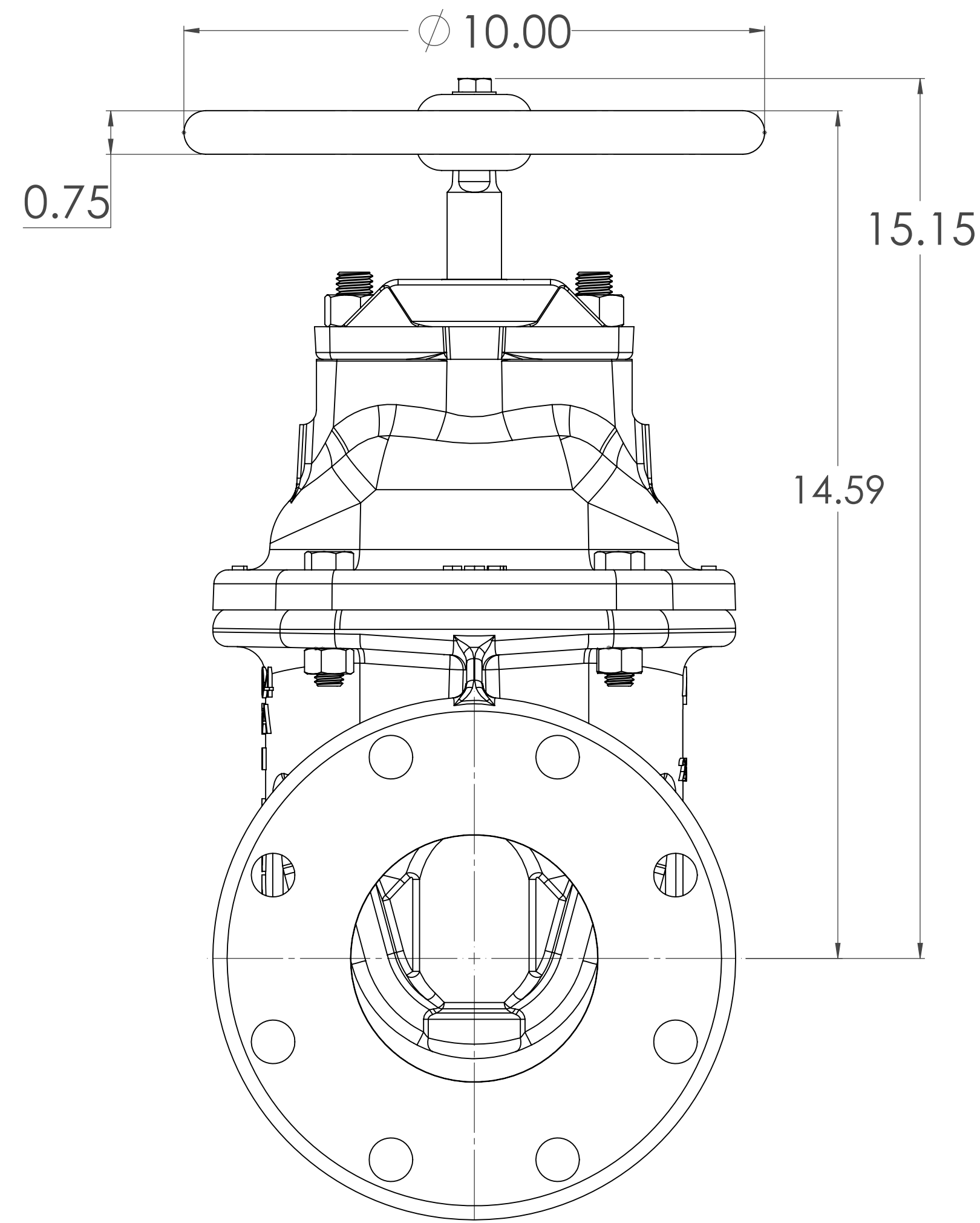


STANDARDS: ANSI/AWWA C111, C115, C118, C122, C124, C125, C126, C127, C128, C129, C130, C131, C132, C133, C134, C135, C136, C137, C138, C139, C140, C141, C142, C143, C144, C145, C146, C147, C148, C149, C150, C151, C152, C153, C154, C155, C156, C157, C158, C159, C160, C161, C162, C163, C164, C165, C166, C167, C168, C169, C170, C171, C172, C173, C174, C175, C176, C177, C178, C179, C180, C181, C182, C183, C184, C185, C186, C187, C188, C189, C190, C191, C192, C193, C194, C195, C196, C197, C198, C199, C200, C201, C202, C203, C204, C205, C206, C207, C208, C209, C210, C211, C212, C213, C214, C215, C216, C217, C218, C219, C220, C221, C222, C223, C224, C225, C226, C227, C228, C229, C230, C231, C232, C233, C234, C235, C236, C237, C238, C239, C240, C241, C242, C243, C244, C245, C246, C247, C248, C249, C250, C251, C252, C253, C254, C255, C256, C257, C258, C259, C260, C261, C262, C263, C264, C265, C266, C267, C268, C269, C270, C271, C272, C273, C274, C275, C276, C277, C278, C279, C280, C281, C282, C283, C284, C285, C286, C287, C288, C289, C290, C291, C292, C293, C294, C295, C296, C297, C298, C299, C300, C301, C302, C303, C304, C305, C306, C307, C308, C309, C310, C311, C312, C313, C314, C315, C316, C317, C318, C319, C320, C321, C322, C323, C324, C325, C326, C327, C328, C329, C330, C331, C332, C333, C334, C335, C336, C337, C338, C339, C340, C341, C342, C343, C344, C345, C346, C347, C348, C349, C350, C351, C352, C353, C354, C355, C356, C357, C358, C359, C360, C361, C362, C363, C364, C365, C366, C367, C368, C369, C370, C371, C372, C373, C374, C375, C376, C377, C378, C379, C380, C381, C382, C383, C384, C385, C386, C387, C388, C389, C390, C391, C392, C393, C394, C395, C396, C397, C398, C399, C400, C401, C402, C403, C404, C405, C406, C407, C408, C409, C410, C411, C412, C413, C414, C415, C416, C417, C418, C419, C420, C421, C422, C423, C424, C425, C426, C427, C428, C429, C430, C431, C432, C433, C434, C435, C436, C437, C438, C439, C440, C441, C442, C443, C444, C445, C446, C447, C448, C449, C450, C451, C452, C453, C454, C455, C456, C457, C458, C459, C460, C461, C462, C463, C464, C465, C466, C467, C468, C469, C470, C471, C472, C473, C474, C475, C476, C477, C478, C479, C480, C481, C482, C483, C484, C485, C486, C487, C488, C489, C490, C491, C492, C493, C494, C495, C496, C497, C498, C499, C500, C501, C502, C503, C504, C505, C506, C507, C508, C509, C510, C511, C512, C513, C514, C515, C516, C517, C518, C519, C520, C521, C522, C523, C524, C525, C526, C527, C528, C529, C530, C531, C532, C533, C534, C535, C536, C537, C538, C539, C540, C541, C542, C543, C544, C545, C546, C547, C548, C549, C550, C551, C552, C553, C554, C555, C556, C557, C558, C559, C560, C561, C562, C563, C564, C565, C566, C567, C568, C569, C570, C571, C572, C573, C574, C575, C576, C577, C578, C579, C580, C581, C582, C583, C584, C585, C586, C587, C588, C589, C590, C591, C592, C593, C594, C595, C596, C597, C598, C599, C600, C601, C602, C603, C604, C605, C606, C607, C608, C609, C610, C611, C612, C613, C614, C615, C616, C617, C618, C619, C620, C621, C622, C623, C624, C625, C626, C627, C628, C629, C630, C631, C632, C633, C634, C635, C636, C637, C638, C639, C640, C641, C642, C643, C644, C645, C646, C647, C648, C649, C650, C651, C652, C653, C654, C655, C656, C657, C658, C659, C660, C661, C662, C663, C664, C665, C666, C667, C668, C669, C670, C671, C672, C673, C674, C675, C676, C677, C678, C679, C680, C681, C682, C683, C684, C685, C686, C687, C688, C689, C690, C691, C692, C693, C694, C695, C696, C697, C698, C699, C700, C701, C702, C703, C704, C705, C706, C707, C708, C709, C710, C711, C712, C713, C714, C715, C716, C717, C718, C719, C720, C721, C722, C723, C724, C725, C726, C727, C728, C729, C730, C731, C732, C733, C734, C735, C736, C737, C738, C739, C740, C741, C742, C743, C744, C745, C746, C747, C748, C749, C750, C751, C752, C753, C754, C755, C756, C757, C758, C759, C760, C761, C762, C763, C764, C765, C766, C767, C768, C769, C770, C771, C772, C773, C774, C775, C776, C777, C778, C779, C780, C781, C782, C783, C784, C785, C786, C787, C788, C789, C790, C791, C792, C793, C794, C795, C796, C797, C798, C799, C800, C801, C802, C803, C804, C805, C806, C807, C808, C809, C810, C811, C812, C813, C814, C815, C816, C817, C818, C819, C820, C821, C822, C823, C824, C825, C826, C827, C828, C829, C830, C831, C832, C833, C834, C835, C836, C837, C838, C839, C840, C841, C842, C843, C844, C845, C846, C847, C848, C849, C850, C851, C852, C853, C854, C855, C856, C857, C858, C859, C860, C861, C862, C863, C864, C865, C866, C867, C868, C869, C870, C871, C872, C873, C874, C875, C876, C877, C878, C879, C880, C881, C882, C883, C884, C885, C886, C887, C888, C889, C890, C891, C892, C893, C894, C895, C896, C897, C898, C899, C900, C901, C902, C903, C904, C905, C906, C907, C908, C909, C910, C911, C912, C913, C914, C915, C916, C917, C918, C919, C920, C921, C922, C923, C924, C925, C926, C927, C928, C929, C930, C931, C932, C933, C934, C935, C936, C937, C938, C939, C940, C941, C942, C943, C944, C945, C946, C947, C948, C949, C950, C951, C952, C953, C954, C955, C956, C957, C958, C959, C960, C961, C962, C963, C964, C965, C966, C967, C968, C969, C970, C971, C972, C973, C974, C975, C976, C977, C978, C979, C980, C981, C982, C983, C984, C985, C986, C987, C988, C989, C990, C991, C992, C993, C994, C995, C996, C997, C998, C999, C1000.		PROPERTY OF INCIWARE CORPORATION. ALL RIGHTS RESERVED. THIS DRAWING IS THE PROPERTY OF INCIWARE CORPORATION AND IS NOT TO BE REPRODUCED OR TRANSMITTED IN ANY FORM OR BY ANY MEANS, ELECTRONIC OR MECHANICAL, INCLUDING PHOTOCOPYING, RECORDING, OR BY ANY INFORMATION STORAGE AND RETRIEVAL SYSTEM, WITHOUT THE WRITTEN PERMISSION OF INCIWARE CORPORATION. ALL RIGHTS RESERVED.	DESCRIPTION 04" C509 NRS RESILIENT LBS. WEDGE GATE VALVE	DATE: 12/1/2020	BY: CW	CHECKED BY: []	SCALE: 1:2	SHEET NO: 2	TOTAL SHEETS: 6	SOFTWARE: Solidworks 2018 SP2
---	--	---	--	-----------------	--------	-----------------	------------	-------------	-----------------	-------------------------------

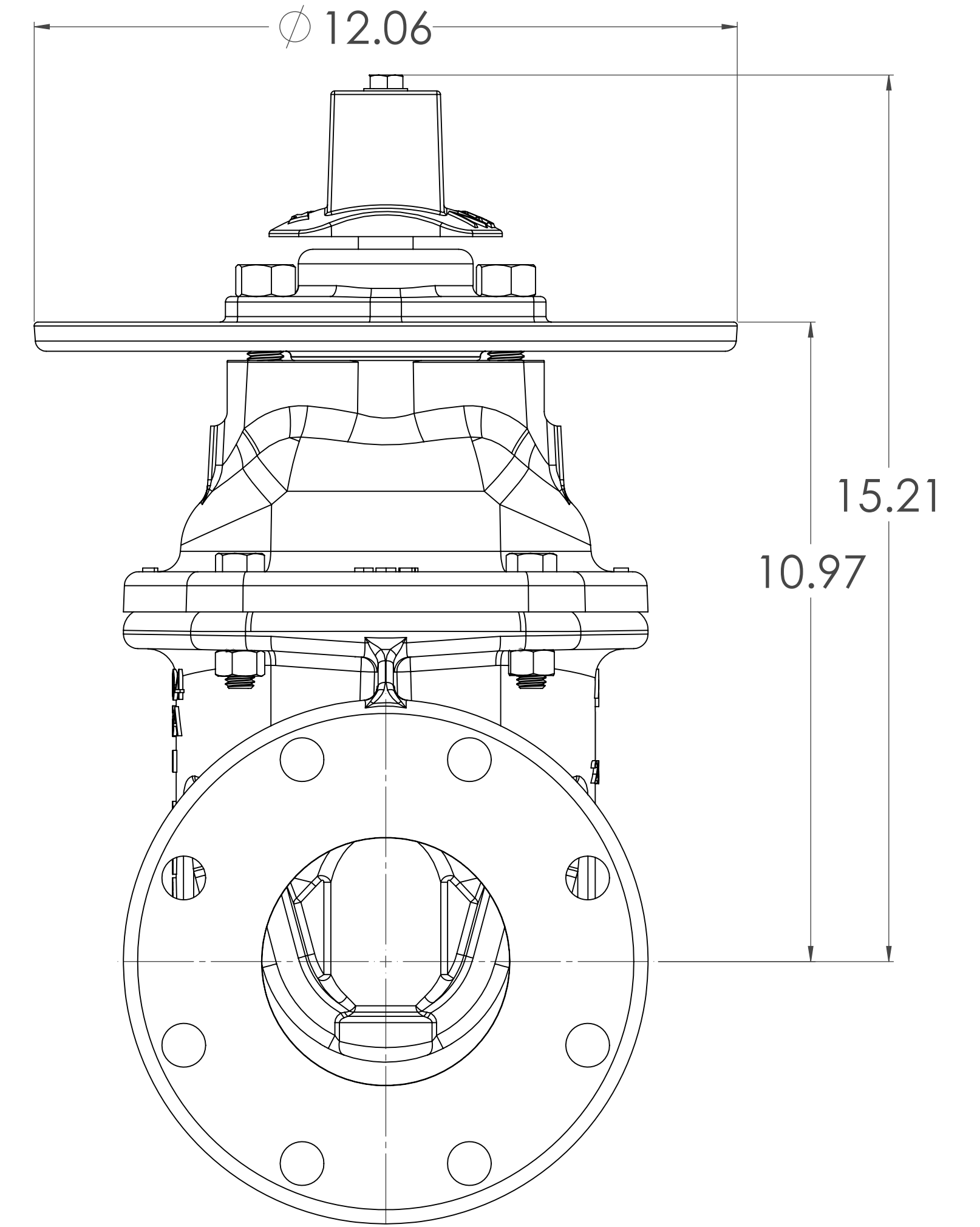
O-RING PLATE WITH OPERATING NUT



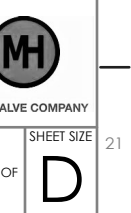
O-RING PLATE WITH HANDWHEEL

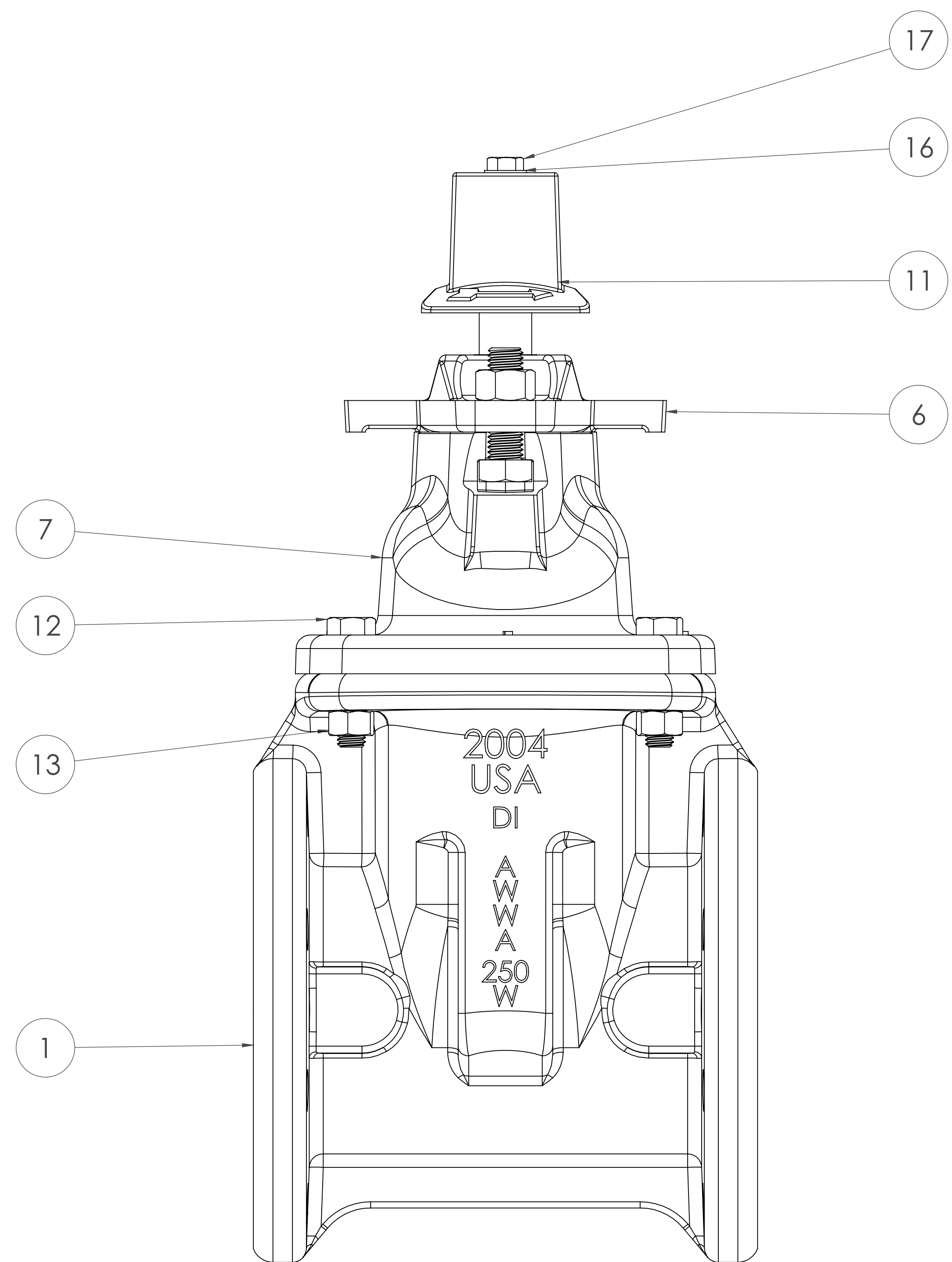
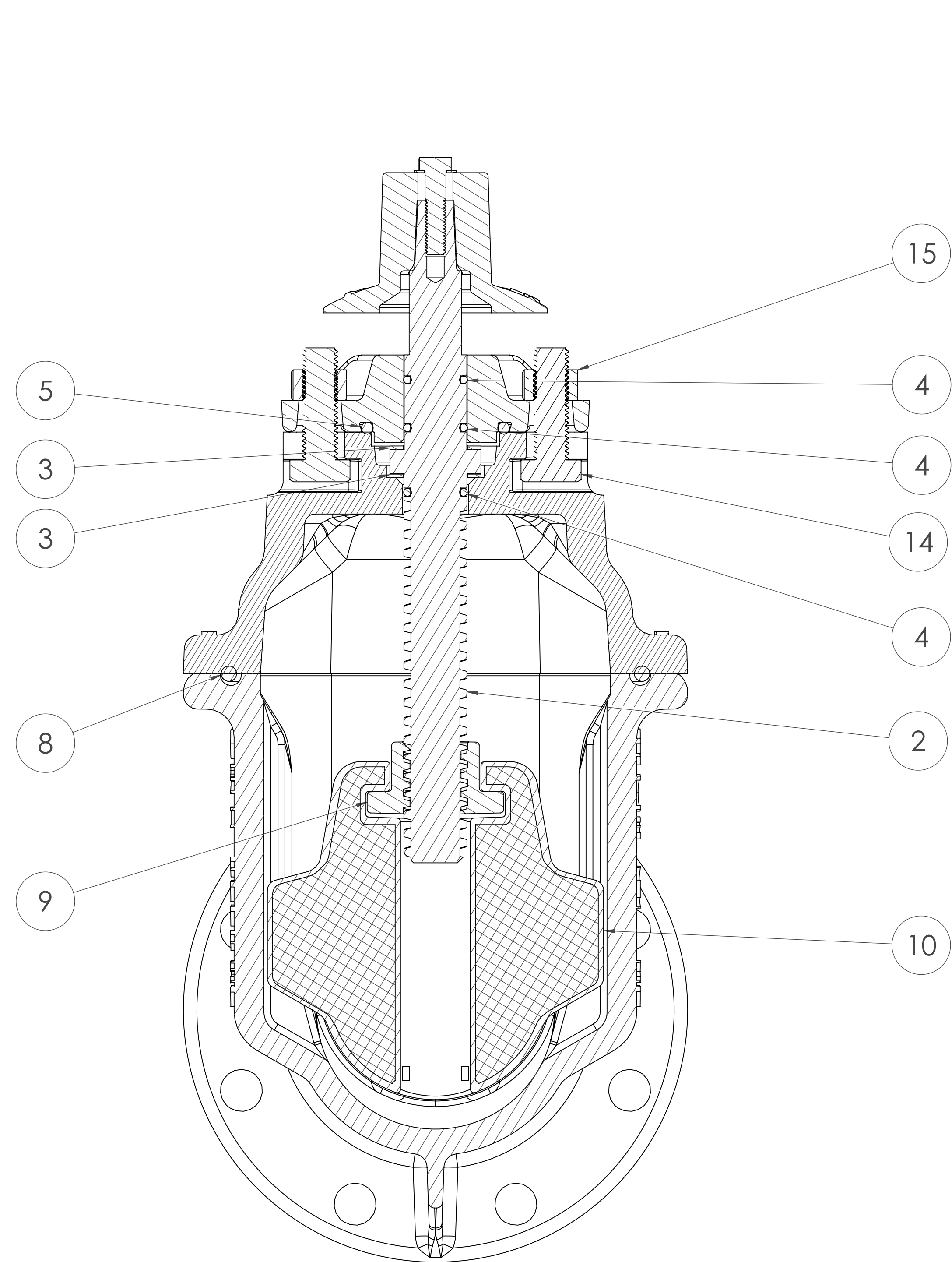


INDICATOR POST PLATE WITH OPERATING NUT



THIRD ANGLE PROJECTION STANDARDS: ANSI/ASME Y14.5, Y14.7, AND Y14.8 TOLERANCES AS FOLLOWS UNLESS OTHERWISE SPECIFIED.		PROPERTY OF MCWANE CORPORATION. ALL DIMENSIONS AND IDENTIFICATION ARE PROPRIETARY TO MCWANE CORPORATION AND IS UNRELEASABLE INFORMATION UNLESS IN WRITING BY PERMISSION OF OTHERWISE ARRANGED. ALL RIGHTS RESERVED.		SHEET NO. B
CASTING TOLERANCES 0.4": ± 0.005 0.8": ± 0.004 1.2": ± 0.003 1.8": ± 0.002 MIN RADII: 1/8" MIN DRAFT: 2°	MACHINED DIMENSIONS DECIMALS: ± 0.005 FRACTIONS: ± 0.004 ANGLE: ± 1° SURFACE FINISH: 125 μin RADII: 1/8"	ESTIMATED WEIGHT LBS.	DESCRIPTION 04" C509 NRS RESILIENT WEDGE GATE VALVE	SHEET SIZE 3 SHEET OF 6
DESIGNED BY CW	DATE/ISSUE 12/1/2020	CHECKED BY CW	SCALE 1:5	SOFTWARE Solidworks 2018 SP2





2004
USA
DI
AWWA
250
W

THIRD ANGLE PROJECTION. STANDARDS AND DIMENSIONS ARE TO THE DIMENSIONS AND TOLERANCES AS FOLLOWS UNLESS OTHERWISE SPECIFIED.		PROPERTY OF MCWANE CORPORATION. ALL DIMENSIONS AND DIMENSIONS ARE PROPRIETARY TO MCWANE CORPORATION AND IS UNREPRODUCIBLE WITHOUT PERMISSION FROM MCWANE CORPORATION. ALL RIGHTS RESERVED.		REVISION	DATE
CASTING TOLERANCES:		MACHINED DIMENSIONS:		DESCRIPTION	DATE
0.4":	± 0.005	DECIMALS:	± 0.005	04" C509 NRS RESILIENT	
0.8":	± 0.004	FRACTIONS:	± 0.004	LBS. WEDGE GATE VALVE	
1.2":	± 0.003	ANGLE:	± 1"		
1.6":	± 0.002	SURFACE FINISH:	125 μm		
MIN RADIUS:	1/8"	RADIUS:	1/8"		
MIN DRAFT:	2°				
DESIGNED BY:	CW	CHECKED BY:		SCALE:	1:5
DATE:	12/1/2020	DATE:		SOFTWARE:	Solidworks 2018 SP2
				MCWANE COMPANY	SHEET OF 6

<u>ITEM NO.</u>	<u>COMPONENT</u>	<u>QTY.</u>	<u>SIZE</u>	<u>STANDARD MATERIAL</u>	<u>MATERIAL OPTIONS</u>
1	BODY	1	-	CAST IRON	DUCTILE IRON
2	STEM	1	-	C86200	C99500 (LOW ZINC), 304 SS, 316 SS
3	THRUST WASHER	2	-	ACETAL	C26000
4	O-RING	3	#212	EPDM	BUNA-N
5	O-RING	1	#331	EPDM	BUNA-N
6	O-RING PLATE	1	-	DUCTILE IRON	**INDICATOR POST PLATE**
7	COVER	1	-	CAST IRON	DUCTILE IRON
8	O-RING	1	#437	EPDM	BUNA-N
9	STEM NUT	1	-	C87850	C87610 (LOW ZINC)
10	WEDGE	1	-	EPDM/DUCTILE IRON	-
11	OPERATING NUT	1	-	CAST IRON	DUCTILE IRON, C86700, **10" DIA. HANDWHEEL**
12	HEX HEAD CAP SCREW	4	1/2"-13 X 2"	18-8 SS	316 SS
13	HEX NUT	4	1/2"-13	18-8 SS	316 SS
14	HEX HEAD CAP SCREW	2	5/8"-11 X 2	18-8 SS	316 SS
15	HEX NUT	2	5/8"-11	18-8 SS	316 SS
16	WASHER	1	3/8"	18-8 SS	316 SS
17	HEX HEAD CAP SCREW	1	3/8"-16 X 1 1/2"	18-8 SS	316 SS

- VALVES CONFORM WITH THE FOLLOWING STANDARDS
 - AWWA C509
 - NSF 61
- LOW ZINC BRASS STEM AND STEM NUT AVAILABLE
- 100% DOMESTIC FASTENERS AND ORINGS OPTIONS AVAILABLE
- *OPEN LEFT* (COUNTERCLOCKWISE) AND *OPEN RIGHT* (CLOCKWISE) OPTIONS AVAILABLE
- TURNS TO OPEN FROM FULLY CLOSED: 12
- AWWA MAXIMUM ALLOWABLE TORQUE TO CLOSE 75 FT-LBS
- OPTIONAL HANDWHEEL CAN BE SUBSTITUTED FOR STANDARD 2" SQUARE OP NUTS.
 - **NOTE: STANDARD HANDWHEELS SIZE CALLED OUT IN PARTS LIST.**

<small>STANDARDS: AWWA C509, C516, C521, C522, C523, C524, C525, C526, C527, C528, C529, C530, C531, C532, C533, C534, C535, C536, C537, C538, C539, C540, C541, C542, C543, C544, C545, C546, C547, C548, C549, C550, C551, C552, C553, C554, C555, C556, C557, C558, C559, C560, C561, C562, C563, C564, C565, C566, C567, C568, C569, C570, C571, C572, C573, C574, C575, C576, C577, C578, C579, C580, C581, C582, C583, C584, C585, C586, C587, C588, C589, C590, C591, C592, C593, C594, C595, C596, C597, C598, C599, C600, C601, C602, C603, C604, C605, C606, C607, C608, C609, C610, C611, C612, C613, C614, C615, C616, C617, C618, C619, C620, C621, C622, C623, C624, C625, C626, C627, C628, C629, C630, C631, C632, C633, C634, C635, C636, C637, C638, C639, C640, C641, C642, C643, C644, C645, C646, C647, C648, C649, C650, C651, C652, C653, C654, C655, C656, C657, C658, C659, C660, C661, C662, C663, C664, C665, C666, C667, C668, C669, C670, C671, C672, C673, C674, C675, C676, C677, C678, C679, C680, C681, C682, C683, C684, C685, C686, C687, C688, C689, C690, C691, C692, C693, C694, C695, C696, C697, C698, C699, C700, C701, C702, C703, C704, C705, C706, C707, C708, C709, C710, C711, C712, C713, C714, C715, C716, C717, C718, C719, C720, C721, C722, C723, C724, C725, C726, C727, C728, C729, C730, C731, C732, C733, C734, C735, C736, C737, C738, C739, C740, C741, C742, C743, C744, C745, C746, C747, C748, C749, C750, C751, C752, C753, C754, C755, C756, C757, C758, C759, C760, C761, C762, C763, C764, C765, C766, C767, C768, C769, C770, C771, C772, C773, C774, C775, C776, C777, C778, C779, C780, C781, C782, C783, C784, C785, C786, C787, C788, C789, C790, C791, C792, C793, C794, C795, C796, C797, C798, C799, C800, C801, C802, C803, C804, C805, C806, C807, C808, C809, C810, C811, C812, C813, C814, C815, C816, C817, C818, C819, C820, C821, C822, C823, C824, C825, C826, C827, C828, C829, C830, C831, C832, C833, C834, C835, C836, C837, C838, C839, C840, C841, C842, C843, C844, C845, C846, C847, C848, C849, C850, C851, C852, C853, C854, C855, C856, C857, C858, C859, C860, C861, C862, C863, C864, C865, C866, C867, C868, C869, C870, C871, C872, C873, C874, C875, C876, C877, C878, C879, C880, C881, C882, C883, C884, C885, C886, C887, C888, C889, C890, C891, C892, C893, C894, C895, C896, C897, C898, C899, C900, C901, C902, C903, C904, C905, C906, C907, C908, C909, C910, C911, C912, C913, C914, C915, C916, C917, C918, C919, C920, C921, C922, C923, C924, C925, C926, C927, C928, C929, C930, C931, C932, C933, C934, C935, C936, C937, C938, C939, C940, C941, C942, C943, C944, C945, C946, C947, C948, C949, C950, C951, C952, C953, C954, C955, C956, C957, C958, C959, C960, C961, C962, C963, C964, C965, C966, C967, C968, C969, C970, C971, C972, C973, C974, C975, C976, C977, C978, C979, C980, C981, C982, C983, C984, C985, C986, C987, C988, C989, C990, C991, C992, C993, C994, C995, C996, C997, C998, C999, C1000.</small>		<small>PROPERTY OF MCWANE CORPORATION. ALL DIMENSIONS AND TOLERANCES ARE PROPRIETARY TO MCWANE CORPORATION AND ARE UNCLASSIFIED. ALL RIGHTS RESERVED. © 2020 MCWANE CORPORATION. ALL RIGHTS RESERVED.</small>	
<small>CASTING TOLERANCES:</small> 0.4": ± 0.005 0.8": ± 0.005 1.2": ± 0.005 1.6": ± 0.005 2.0": ± 0.005 2.4": ± 0.005 2.8": ± 0.005 3.2": ± 0.005 3.6": ± 0.005 4.0": ± 0.005 4.4": ± 0.005 4.8": ± 0.005 5.2": ± 0.005 5.6": ± 0.005 6.0": ± 0.005 6.4": ± 0.005 6.8": ± 0.005 7.2": ± 0.005 7.6": ± 0.005 8.0": ± 0.005 8.4": ± 0.005 8.8": ± 0.005 9.2": ± 0.005 9.6": ± 0.005 10.0": ± 0.005 10.4": ± 0.005 10.8": ± 0.005 11.2": ± 0.005 11.6": ± 0.005 12.0": ± 0.005 12.4": ± 0.005 12.8": ± 0.005 13.2": ± 0.005 13.6": ± 0.005 14.0": ± 0.005 14.4": ± 0.005 14.8": ± 0.005 15.2": ± 0.005 15.6": ± 0.005 16.0": ± 0.005 16.4": ± 0.005 16.8": ± 0.005 17.2": ± 0.005 17.6": ± 0.005 18.0": ± 0.005 18.4": ± 0.005 18.8": ± 0.005 19.2": ± 0.005 19.6": ± 0.005 20.0": ± 0.005 20.4": ± 0.005 20.8": ± 0.005 21.2": ± 0.005 21.6": ± 0.005 22.0": ± 0.005 22.4": ± 0.005 22.8": ± 0.005 23.2": ± 0.005 23.6": ± 0.005 24.0": ± 0.005 24.4": ± 0.005 24.8": ± 0.005 25.2": ± 0.005 25.6": ± 0.005 26.0": ± 0.005 26.4": ± 0.005 26.8": ± 0.005 27.2": ± 0.005 27.6": ± 0.005 28.0": ± 0.005 28.4": ± 0.005 28.8": ± 0.005 29.2": ± 0.005 29.6": ± 0.005 30.0": ± 0.005 30.4": ± 0.005 30.8": ± 0.005 31.2": ± 0.005 31.6": ± 0.005 32.0": ± 0.005 32.4": ± 0.005 32.8": ± 0.005 33.2": ± 0.005 33.6": ± 0.005 34.0": ± 0.005 34.4": ± 0.005 34.8": ± 0.005 35.2": ± 0.005 35.6": ± 0.005 36.0": ± 0.005 36.4": ± 0.005 36.8": ± 0.005 37.2": ± 0.005 37.6": ± 0.005 38.0": ± 0.005 38.4": ± 0.005 38.8": ± 0.005 39.2": ± 0.005 39.6": ± 0.005 40.0": ± 0.005 40.4": ± 0.005 40.8": ± 0.005 41.2": ± 0.005 41.6": ± 0.005 42.0": ± 0.005 42.4": ± 0.005 42.8": ± 0.005 43.2": ± 0.005 43.6": ± 0.005 44.0": ± 0.005 44.4": ± 0.005 44.8": ± 0.005 45.2": ± 0.005 45.6": ± 0.005 46.0": ± 0.005 46.4": ± 0.005 46.8": ± 0.005 47.2": ± 0.005 47.6": ± 0.005 48.0": ± 0.005 48.4": ± 0.005 48.8": ± 0.005 49.2": ± 0.005 49.6": ± 0.005 50.0": ± 0.005 50.4": ± 0.005 50.8": ± 0.005 51.2": ± 0.005 51.6": ± 0.005 52.0": ± 0.005 52.4": ± 0.005 52.8": ± 0.005 53.2": ± 0.005 53.6": ± 0.005 54.0": ± 0.005 54.4": ± 0.005 54.8": ± 0.005 55.2": ± 0.005 55.6": ± 0.005 56.0": ± 0.005 56.4": ± 0.005 56.8": ± 0.005 57.2": ± 0.005 57.6": ± 0.005 58.0": ± 0.005 58.4": ± 0.005 58.8": ± 0.005 59.2": ± 0.005 59.6": ± 0.005 60.0": ± 0.005 60.4": ± 0.005 60.8": ± 0.005 61.2": ± 0.005 61.6": ± 0.005 62.0": ± 0.005 62.4": ± 0.005 62.8": ± 0.005 63.2": ± 0.005 63.6": ± 0.005 64.0": ± 0.005 64.4": ± 0.005 64.8": ± 0.005 65.2": ± 0.005 65.6": ± 0.005 66.0": ± 0.005 66.4": ± 0.005 66.8": ± 0.005 67.2": ± 0.005 67.6": ± 0.005 68.0": ± 0.005 68.4": ± 0.005 68.8": ± 0.005 69.2": ± 0.005 69.6": ± 0.005 70.0": ± 0.005 70.4": ± 0.005 70.8": ± 0.005 71.2": ± 0.005 71.6": ± 0.005 72.0": ± 0.005 72.4": ± 0.005 72.8": ± 0.005 73.2": ± 0.005 73.6": ± 0.005 74.0": ± 0.005 74.4": ± 0.005 74.8": ± 0.005 75.2": ± 0.005 75.6": ± 0.005 76.0": ± 0.005 76.4": ± 0.005 76.8": ± 0.005 77.2": ± 0.005 77.6": ± 0.005 78.0": ± 0.005 78.4": ± 0.005 78.8": ± 0.005 79.2": ± 0.005 79.6": ± 0.005 80.0": ± 0.005 80.4": ± 0.005 80.8": ± 0.005 81.2": ± 0.005 81.6": ± 0.005 82.0": ± 0.005 82.4": ± 0.005 82.8": ± 0.005 83.2": ± 0.005 83.6": ± 0.005 84.0": ± 0.005 84.4": ± 0.005 84.8": ± 0.005 85.2": ± 0.005 85.6": ± 0.005 86.0": ± 0.005 86.4": ± 0.005 86.8": ± 0.005 87.2": ± 0.005 87.6": ± 0.005 88.0": ± 0.005 88.4": ± 0.005 88.8": ± 0.005 89.2": ± 0.005 89.6": ± 0.005 90.0": ± 0.005 90.4": ± 0.005 90.8": ± 0.005 91.2": ± 0.005 91.6": ± 0.005 92.0": ± 0.005 92.4": ± 0.005 92.8": ± 0.005 93.2": ± 0.005 93.6": ± 0.005 94.0": ± 0.005 94.4": ± 0.005 94.8": ± 0.005 95.2": ± 0.005 95.6": ± 0.005 96.0": ± 0.005 96.4": ± 0.005 96.8": ± 0.005 97.2": ± 0.005 97.6": ± 0.005 98.0": ± 0.005 98.4": ± 0.005 98.8": ± 0.005 99.2": ± 0.005 99.6": ± 0.005 100.0": ± 0.005 100.4": ± 0.005 100.8": ± 0.005 101.2": ± 0.005 101.6": ± 0.005 102.0": ± 0.005 102.4": ± 0.005 102.8": ± 0.005 103.2": ± 0.005 103.6": ± 0.005 104.0": ± 0.005 104.4": ± 0.005 104.8": ± 0.005 105.2": ± 0.005 105.6": ± 0.005 106.0": ± 0.005 106.4": ± 0.005 106.8": ± 0.005 107.2": ± 0.005 107.6": ± 0.005 108.0": ± 0.005 108.4": ± 0.005 108.8": ± 0.005 109.2": ± 0.005 109.6": ± 0.005 110.0": ± 0.005 110.4": ± 0.005 110.8": ± 0.005 111.2": ± 0.005 111.6": ± 0.005 112.0": ± 0.005 112.4": ± 0.005 112.8": ± 0.005 113.2": ± 0.005 113.6": ± 0.005 114.0": ± 0.005 114.4": ± 0.005 114.8": ± 0.005 115.2": ± 0.005 115.6": ± 0.005 116.0": ± 0.005 116.4": ± 0.005 116.8": ± 0.005 117.2": ± 0.005 117.6": ± 0.005 118.0": ± 0.005 118.4": ± 0.005 118.8": ± 0.005 119.2": ± 0.005 119.6": ± 0.005 120.0": ± 0.005 120.4": ± 0.005 120.8": ± 0.005 121.2": ± 0.005 121.6": ± 0.005 122.0": ± 0.005 122.4": ± 0.005 122.8": ± 0.005 123.2": ± 0.005 123.6": ± 0.005 124.0": ± 0.005 124.4": ± 0.005 124.8": ± 0.005 125.2": ± 0.005 125.6": ± 0.005 126.0": ± 0.005 126.4": ± 0.005 126.8": ± 0.005 127.2": ± 0.005 127.6": ± 0.005 128.0": ± 0.005 128.4": ± 0.005 128.8": ± 0.005 129.2": ± 0.005 129.6": ± 0.005 130.0": ± 0.005 130.4": ± 0.005 130.8": ± 0.005 131.2": ± 0.005 131.6": ± 0.005 132.0": ± 0.005 132.4": ± 0.005 132.8": ± 0.005 133.2": ± 0.005 133.6": ± 0.005 134.0": ± 0.005 134.4": ± 0.005 134.8": ± 0.005 135.2": ± 0.005 135.6": ± 0.005 136.0": ± 0.005 136.4": ± 0.005 136.8": ± 0.005 137.2": ± 0.005 137.6": ± 0.005 138.0": ± 0.005 138.4": ± 0.005 138.8": ± 0.005 139.2": ± 0.005 139.6": ± 0.005 140.0": ± 0.005 140.4": ± 0.005 140.8": ± 0.005 141.2": ± 0.005 141.6": ± 0.005 142.0": ± 0.005 142.4": ± 0.005 142.8": ± 0.005 143.2": ± 0.005 143.6": ± 0.005 144.0": ± 0.005 144.4": ± 0.005 144.8": ± 0.005 145.2": ± 0.005 145.6": ± 0.005 146.0": ± 0.005 146.4": ± 0.005 146.8": ± 0.005 147.2": ± 0.005 147.6": ± 0.005 148.0": ± 0.005 148.4": ± 0.005 148.8": ± 0.005 149.2": ± 0.005 149.6": ± 0.005 150.0": ± 0.005 150.4": ± 0.005 150.8": ± 0.005 151.2": ± 0.005 151.6": ± 0.005 152.0": ± 0.005 152.4": ± 0.005 152.8": ± 0.005 153.2": ± 0.005 153.6": ± 0.005 154.0": ± 0.005 154.4": ± 0.005 154.8": ± 0.005 155.2": ± 0.005 155.6": ± 0.005 156.0": ± 0.005 156.4": ± 0.005 156.8": ± 0.005 157.2": ± 0.005 157.6": ± 0.005 158.0": ± 0.005 158.4": ± 0.005 158.8": ± 0.005 159.2": ± 0.005 159.6": ± 0.005 160.0": ± 0.005 160.4": ± 0.005 160.8": ± 0.005 161.2": ± 0.005 161.6": ± 0.005 162.0": ± 0.005 162.4": ± 0.005 162.8": ± 0.005 163.2": ± 0.005 163.6": ± 0.005 164.0": ± 0.005 164.4": ± 0.005 164.8": ± 0.005 165.2": ± 0.005 165.6": ± 0.005 166.0": ± 0.005 166.4": ± 0.005 166.8": ± 0.005 167.2": ± 0.005 167.6": ± 0.005 168.0": ± 0.005 168.4": ± 0.005 168.8": ± 0.005 169.2": ± 0.005 169.6": ± 0.005 170.0": ± 0.005 170.4": ± 0.005 170.8": ± 0.005 171.2": ± 0.005 171.6": ± 0.005 172.0": ± 0.005 172.4": ± 0.005 172.8": ± 0.005 173.2": ± 0.005 173.6": ± 0.005 174.0": ± 0.005 174.4": ± 0.005 174.8": ± 0.005 175.2": ± 0.005 175.6": ± 0.005 176.0": ± 0.005 176.4": ± 0.005 176.8": ± 0.005 177.2": ± 0.005 177.6": ± 0.005 178.0": ± 0.005 178.4": ± 0.005 178.8": ± 0.005 179.2": ± 0.005 179.6": ± 0.005 180.0": ± 0.005 180.4": ± 0.005 180.8": ± 0.005 181.2": ± 0.005 181.6": ± 0.005 182.0": ± 0.005 182.4": ± 0.005 182.8": ± 0.005 183.2": ± 0.005 183.6": ± 0.005 184.0": ± 0.005 184.4": ± 0.005 184.8": ± 0.005 185.2": ± 0.005 185.6": ± 0.005 186.0": ± 0.005 186.4": ± 0.005 186.8": ± 0.005 187.2": ± 0.005 187.6": ± 0.005 188.0": ± 0.005 188.4": ± 0.005 188.8": ± 0.005 189.2": ± 0.005 189.6": ± 0.005 190.0": ± 0.005 190.4": ± 0.005 190.8": ± 0.005 191.2": ± 0.005 191.6": ± 0.005 192.0": ± 0.			