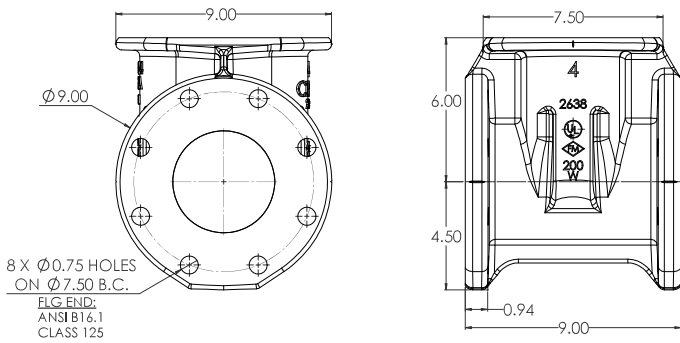
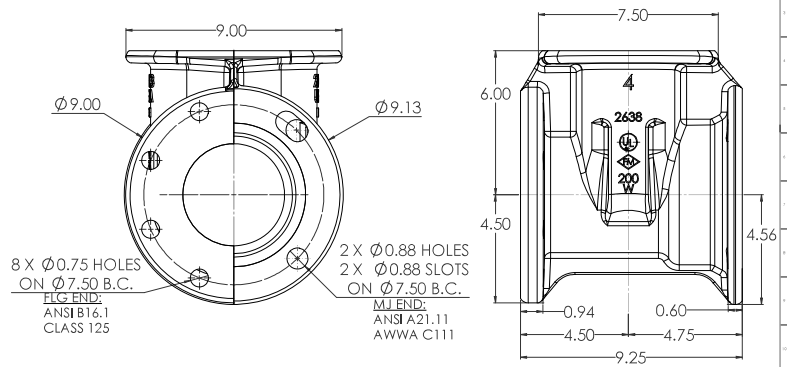


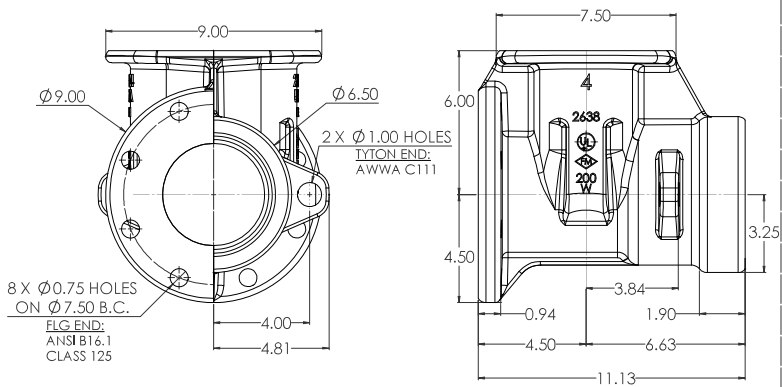
04" C515 FLG X FLG



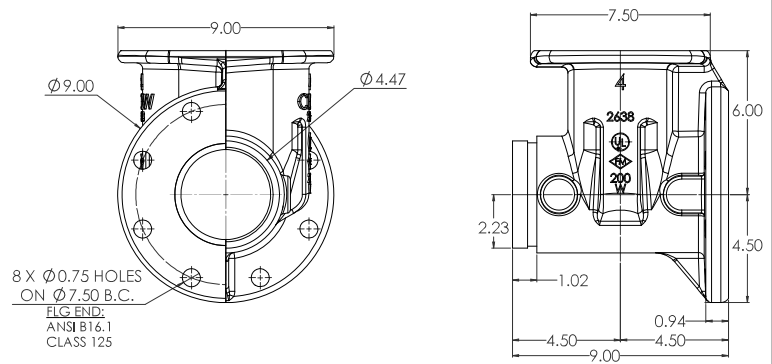
04" C515 FLG X MJ



04" C515 FLG X TYTON

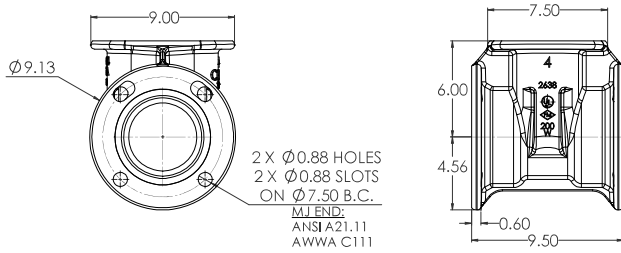


04" C515 FLG X GRVD

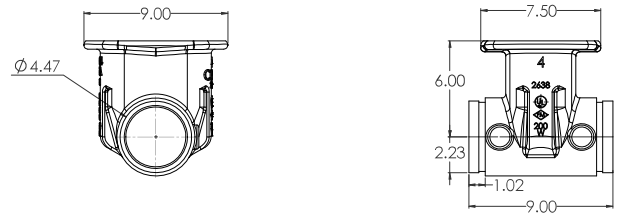


COMPANY: [REDACTED] PROJECT: [REDACTED] DRAWING NO.: [REDACTED] DATE: [REDACTED]	TITLE: 04" C515 NRS RESILIENT WEDGE GATE VALVE SHEET NO.: 12 TOTAL SHEETS: 6	SCALE: [REDACTED] DESIGNED BY: [REDACTED] CHECKED BY: [REDACTED]	APPROVED BY: [REDACTED]
---	--	--	-------------------------

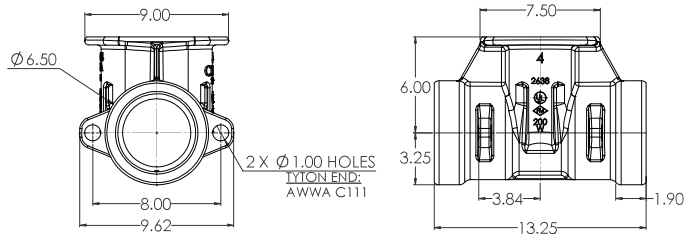
04" C515 MJ X MJ



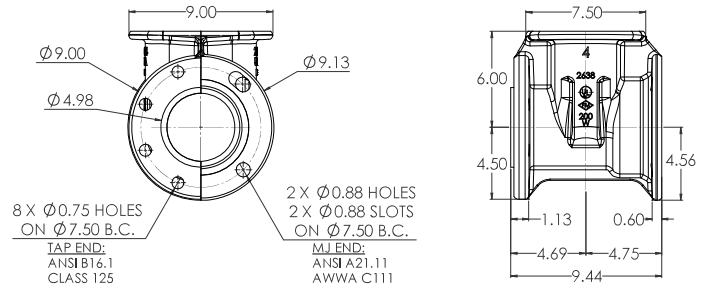
04" C515 GRVD X GRVD



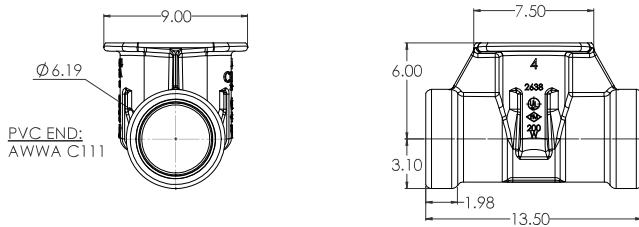
04" C515 TYTON X TYTON



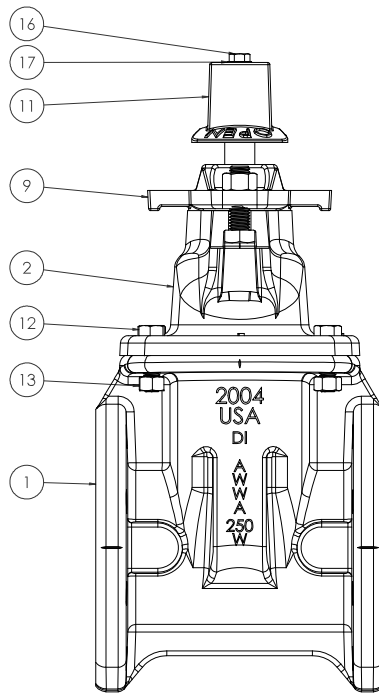
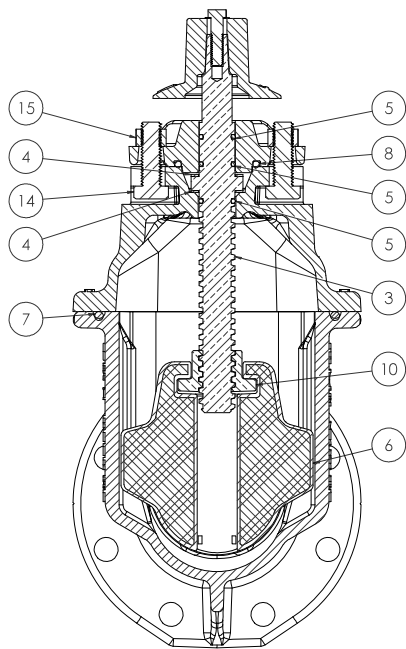
04" C515 MJ X TAP



04" C515 PVC X PVC



COMPANY: AMERICAN VALVE MANUFACTURING COMPANY ADDRESS: 1000 W. 10th St., Tulsa, OK 74103 PHONE: (918) 436-1000 FAX: (918) 436-1001 E-MAIL: AVM@AVM.COM WEBSITE: WWW.AVM.COM	PROJECT: 04" C515 NRS RESILIENT LBS WEDGE GATE VALVE DRAWING NO.: 1-3 DATE: 12/01/2020	SCALE: 1:3 SHEET NO.: 2 TOTAL SHEETS: 6	REVISIONS: 1. 12/01/2020 1-3 2 6	APPROVED: _____ _____ _____
--	---	--	---	--------------------------------------



COMPANY MANUFACTURED BY DATE DRAWN BY CHECKED BY TITLE	PROJECT NO. PROJECT NAME DRAWING NO. SCALE SHEET NO.	REVISIONS NO. DATE BY DESCRIPTION	DESIGNED BY CHECKED BY DATE	PROJECT NO. PROJECT NAME DRAWING NO. SCALE SHEET NO.	TITLE 2004 USA DI AWWA 250 W LBS WEDGE GATE VALVE 1:1D 6/18/04	10 4 6 D
---	--	--------------------------------------	-----------------------------------	--	--	-------------------

<u>ITEM NO.</u>	<u>COMPONENT</u>	<u>QTY.</u>	<u>SIZE</u>	<u>STANDARD MATERIAL</u>	<u>MATERIAL OPTIONS</u>
1	BODY	1	-	DUCTILE IRON	-
2	COVER	1	-	DUCTILE IRON	-
3	STEM	1	-	C86200	C99500 (LOW ZINC), 304 SS, 316 SS
4	THRUST WASHER	2	-	ACETAL	C26000
5	O-RING	3	#212	EPDM	BUNA-N
6	WEDGE	1	-	EPDM/DUCTILE IRON	-
7	O-RING	1	#437	EPDM	BUNA-N
8	O-RING	1	#331	EPDM	BUNA-N
9	O-RING PLATE	1	-	DUCTILE IRON	-
10	STEM NUT	1	-	C87850	C87610 (LOW ZINC)
11	OPERATING NUT	1	-	CAST IRON	DUCTILE IRON, C86700, **10" DIA. HANDWHEEL**
12	HEX HEAD CAP SCREW	4	5/8"-11 X 1 3/4"	18-8 SS	316 SS
13	HEX NUT	4	1/2"-13	18-8 SS	316 SS
14	HEX HEAD CAP SCREW	2	5/8"-11 X 2"	18-8 SS	316 SS
15	HEX NUT	2	5/8"-11	18-8 SS	316 SS
16	HEX HEAD CAP SCREW	1	3/8"-16 X 1 1/2"	18-8 SS	316 SS
17	WASHER	1	3/8"	18-8 SS	316 SS

- VALVES CONFORM WITH THE FOLLOWING STANDARDS
 - AWWA C515
 - NSF 61
- LOW ZINC BRASS STEM AND STEM NUT AVAILABLE
- 100% DOMESTIC FASTENERS AND ORINGS OPTIONS AVAILABLE
- *OPEN LEFT* (COUNTERCLOCKWISE) AND *OPEN RIGHT* (CLOCKWISE) OPTIONS AVAILABLE
- TURNS TO OPEN FROM FULLY CLOSED: 12
- AWWA MAXIMUM ALLOWABLE CLOSING TORQUE 75 FT-LBS
- OPTIONAL HANDWHEEL CAN BE SUBSTITUTED FOR STANDARD 2" SQUARE OP. NUTS.
 - **NOTE: STANDARD HANDWHEEL SIZE LISTED OUT IN PARTS LIST.**

<small> COMPANY: AMERICAN WATER VALVE ADDRESS: 1000 W. 10TH ST., WYOMING, NEBRASKA 68102 PHONE: 402-642-2200 FAX: 402-642-2201 WWW: WWW.AWVALVE.COM </small>	<small> PROJECT: 1000 W. 10TH ST., WYOMING, NEBRASKA 68102 DRAWING NO.: 1000 W. 10TH ST., WYOMING, NEBRASKA 68102 DATE: 10/10/2020 DRAWN BY: 1000 W. 10TH ST., WYOMING, NEBRASKA 68102 CHECKED BY: 1000 W. 10TH ST., WYOMING, NEBRASKA 68102 </small>	<small> TITLE: AWW C515 RESILIENT LBS WEDGE GATE VALVE SCALE: 1:10 SHEET NO.: 5 TOTAL SHEETS: 6 </small>	
---	--	---	---