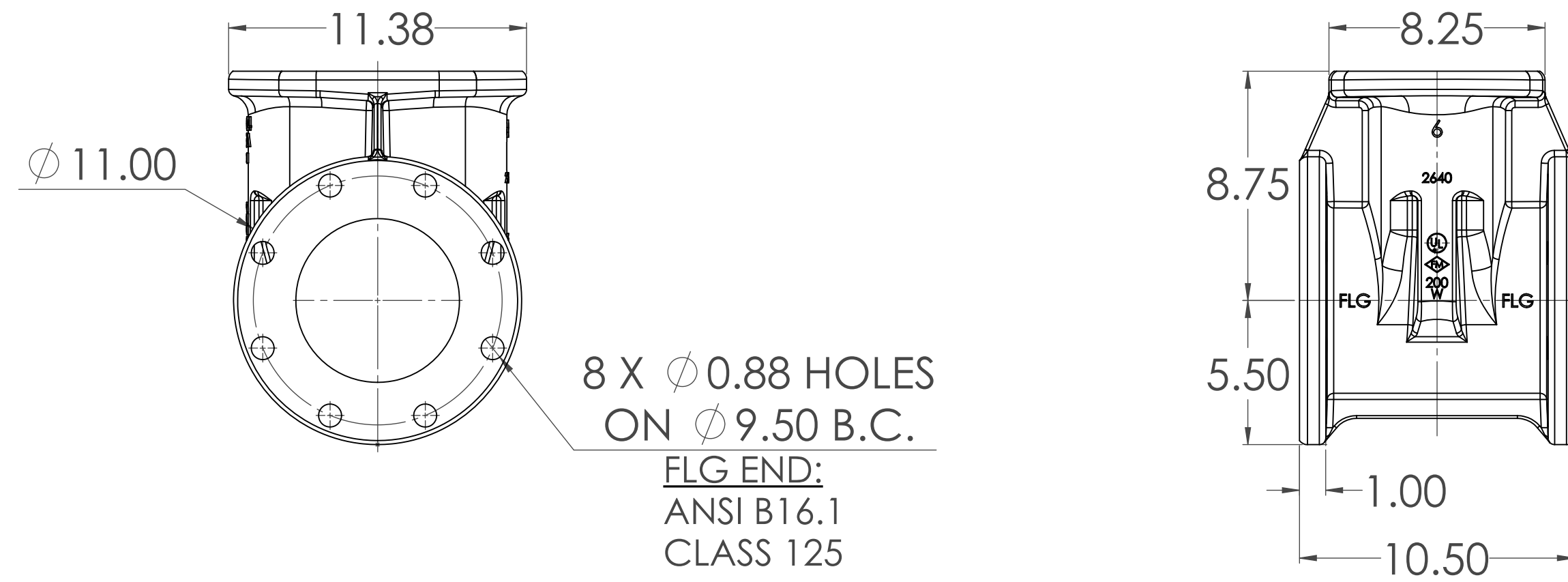
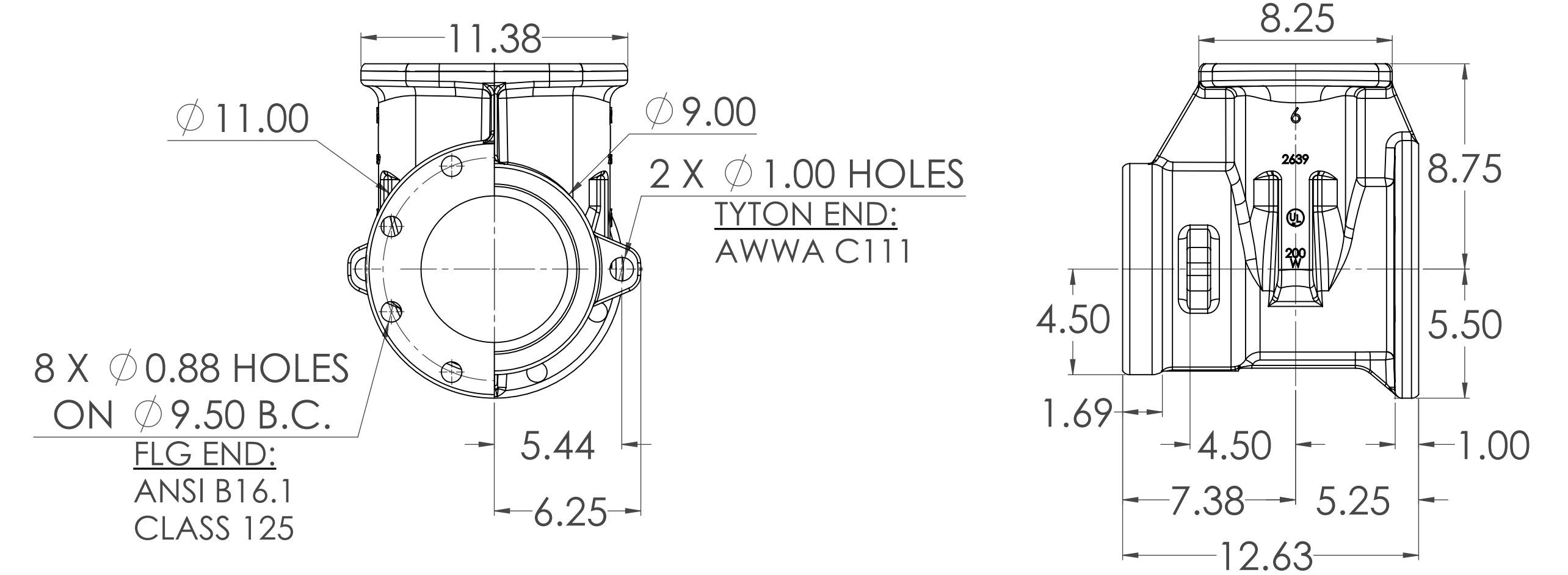


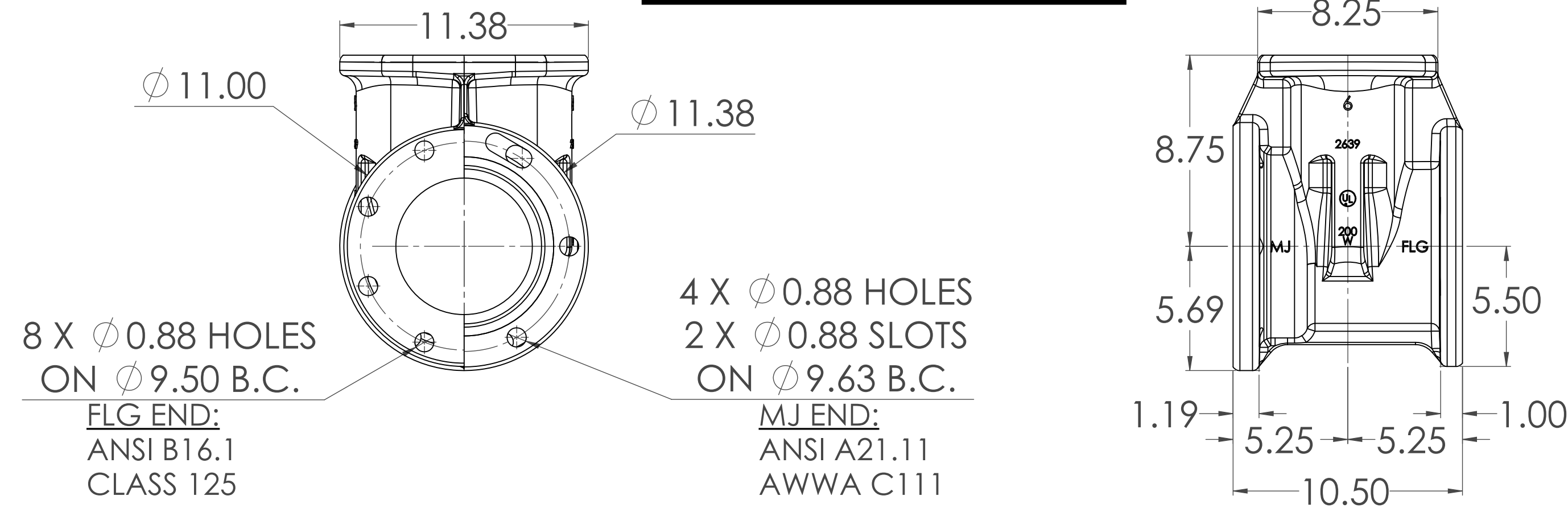
06" C509 FLG X FLG



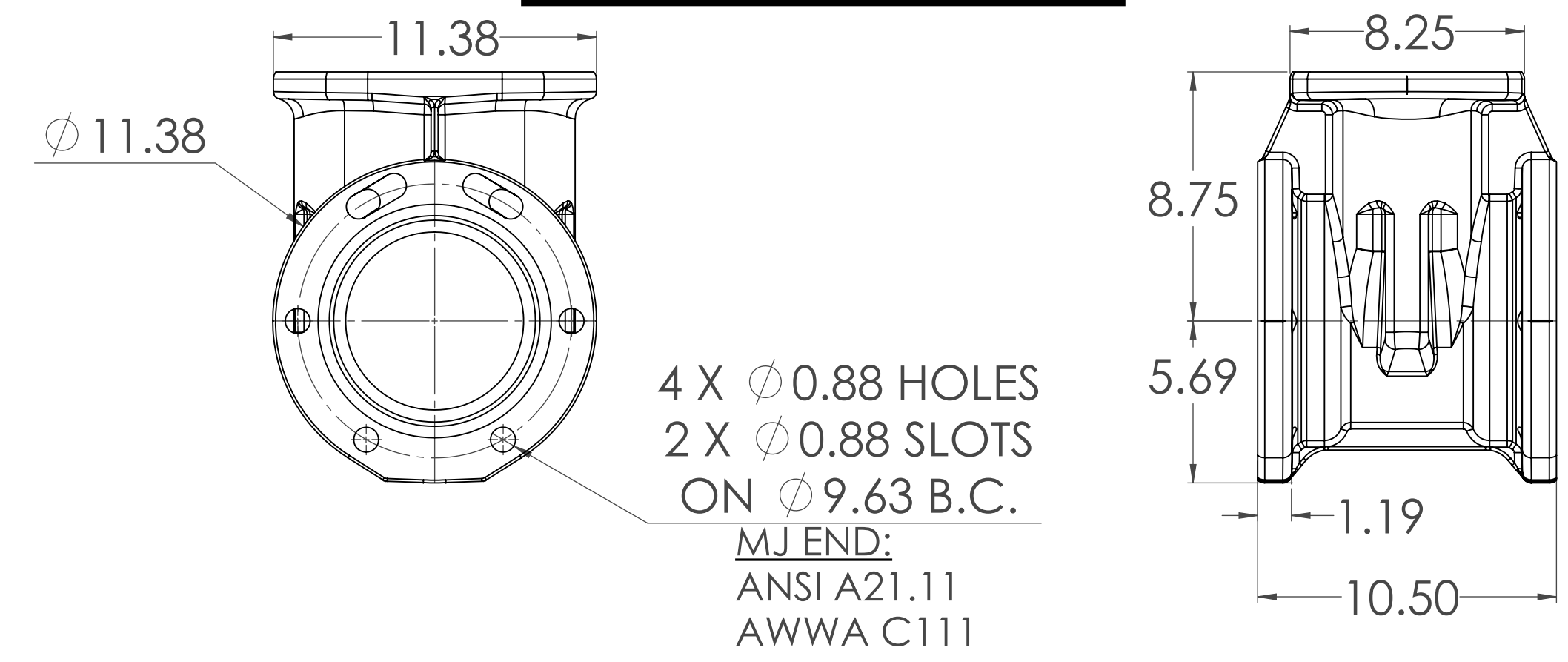
06" C509 FLG X TYTON



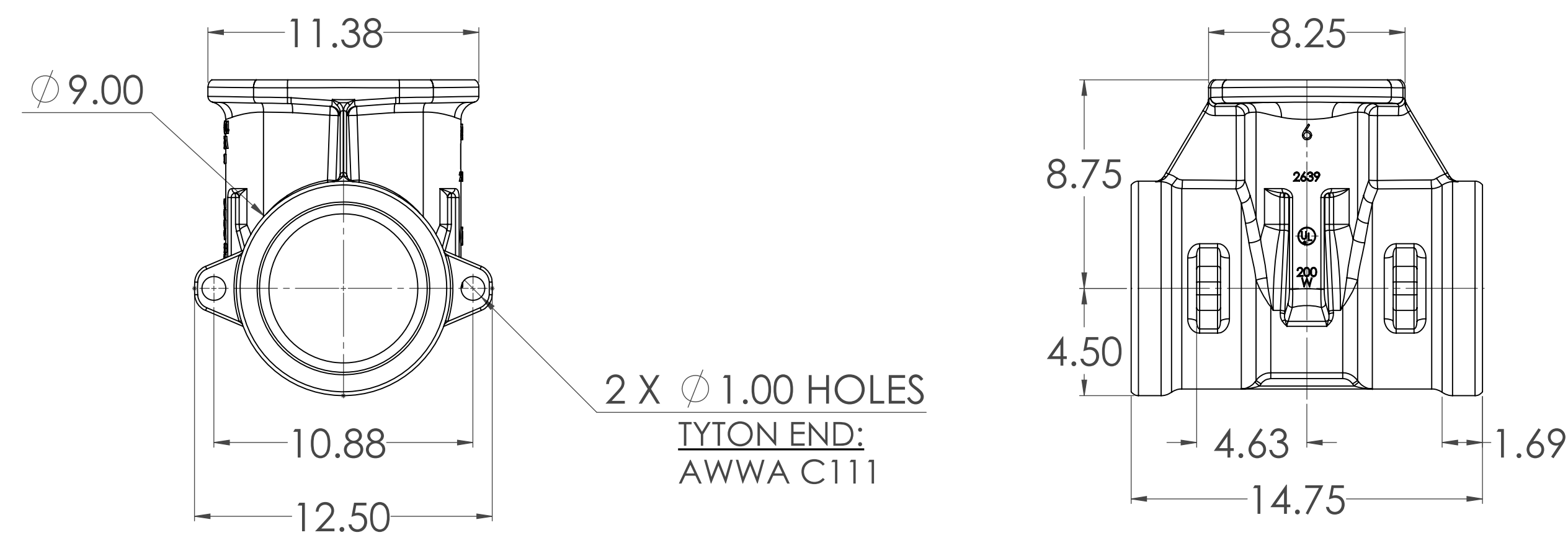
06" C509 FLG X MJ



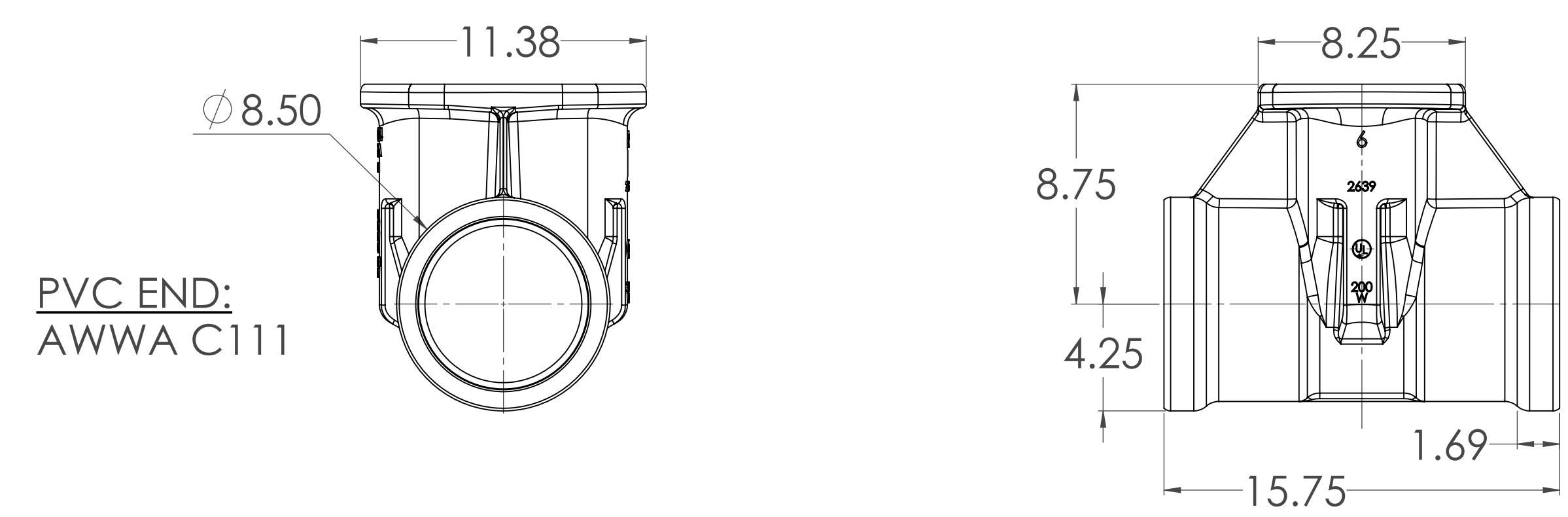
06" C509 MJ X MJ



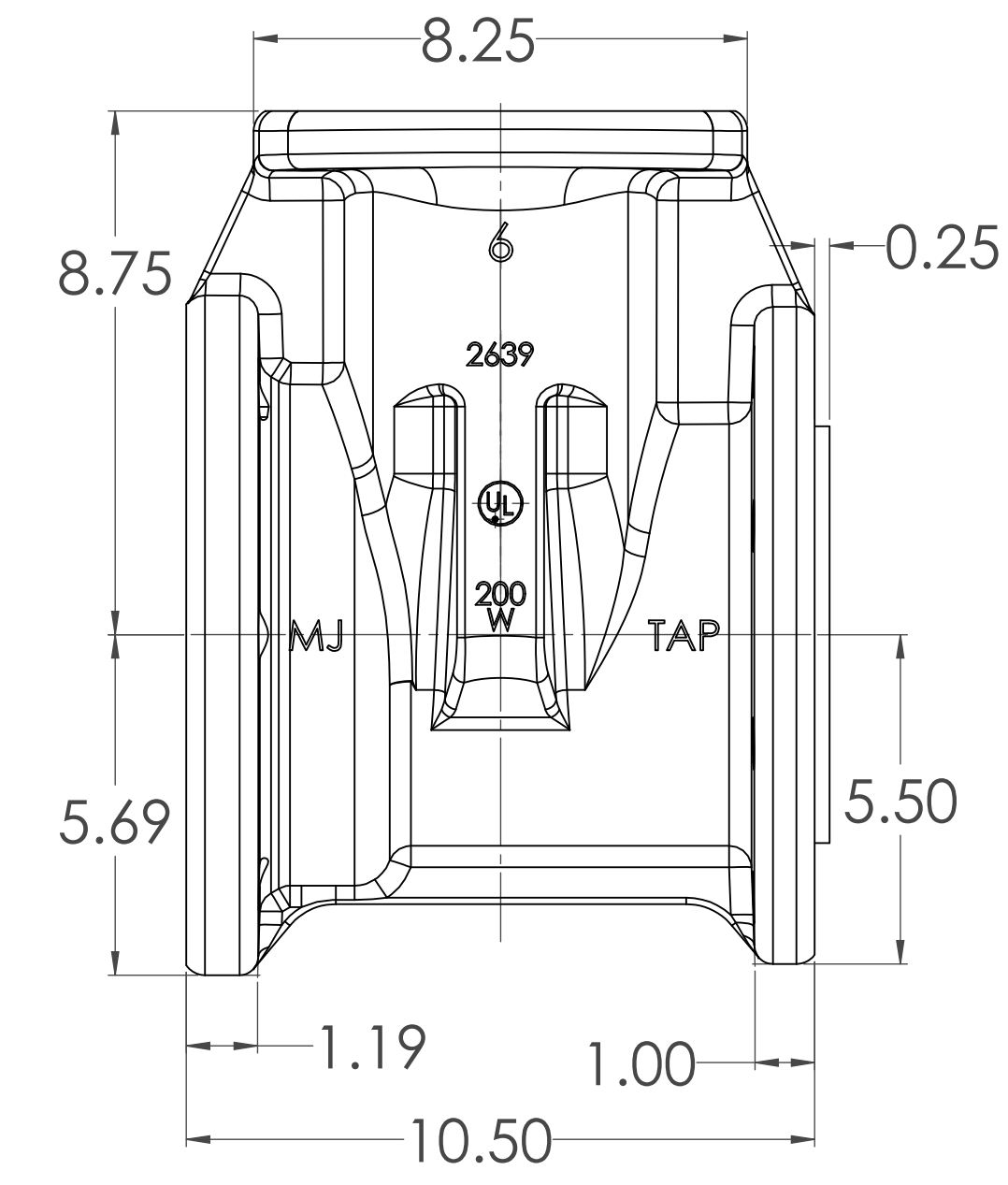
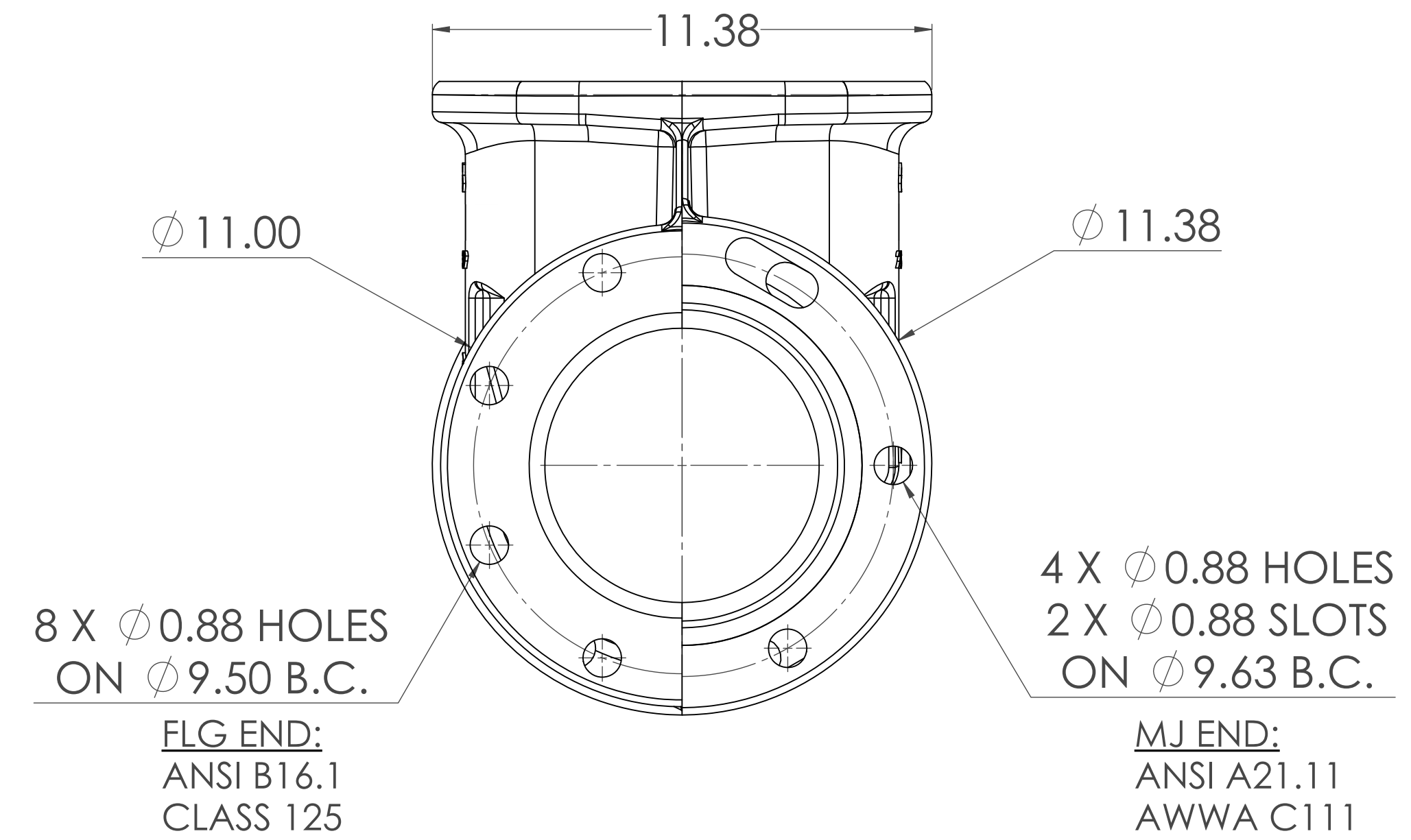
06" C509 TYTON X TYTON



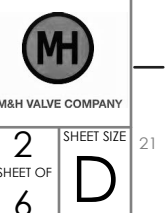
06" C509 PVC X PVC



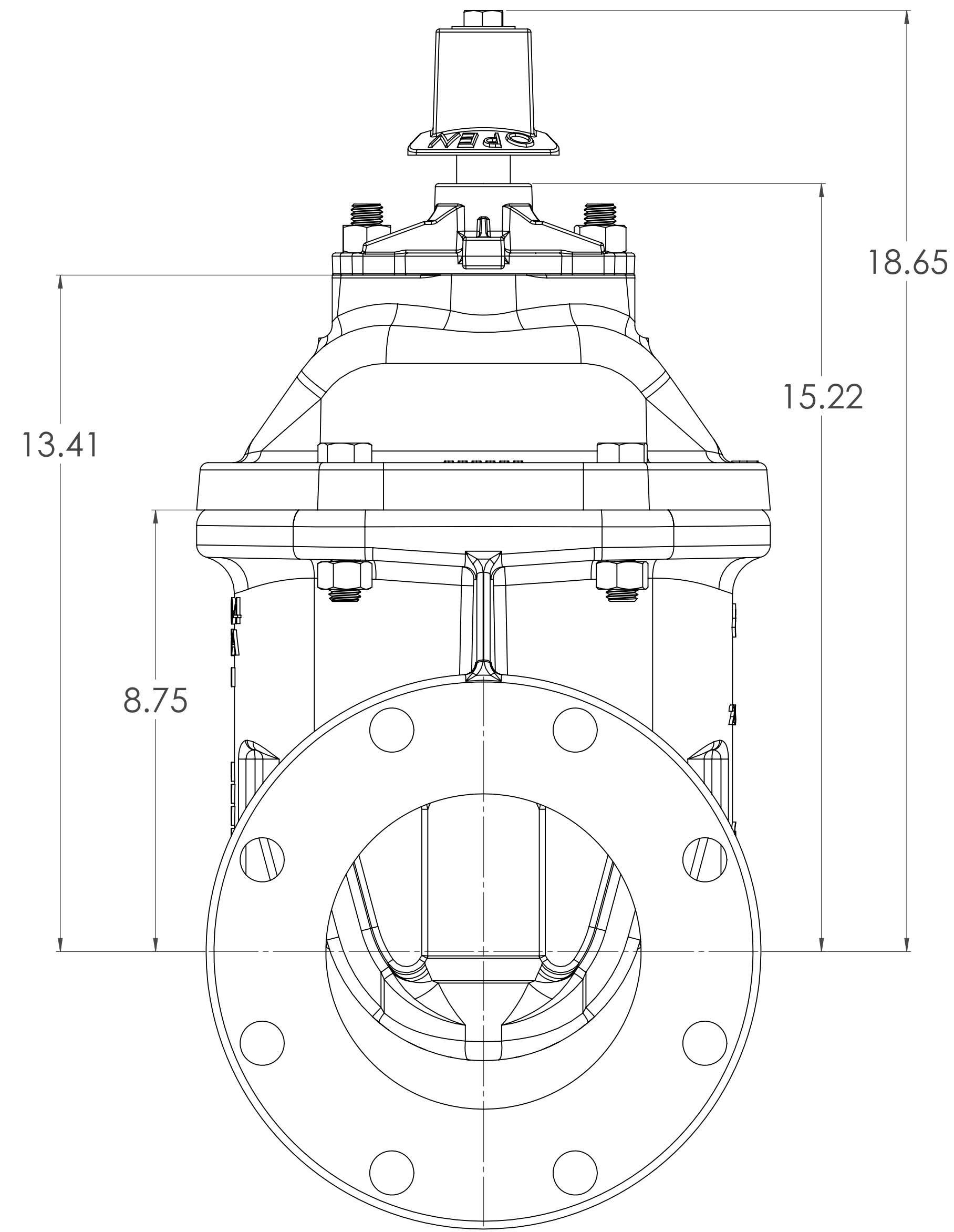
06" C509 MJ X TAP



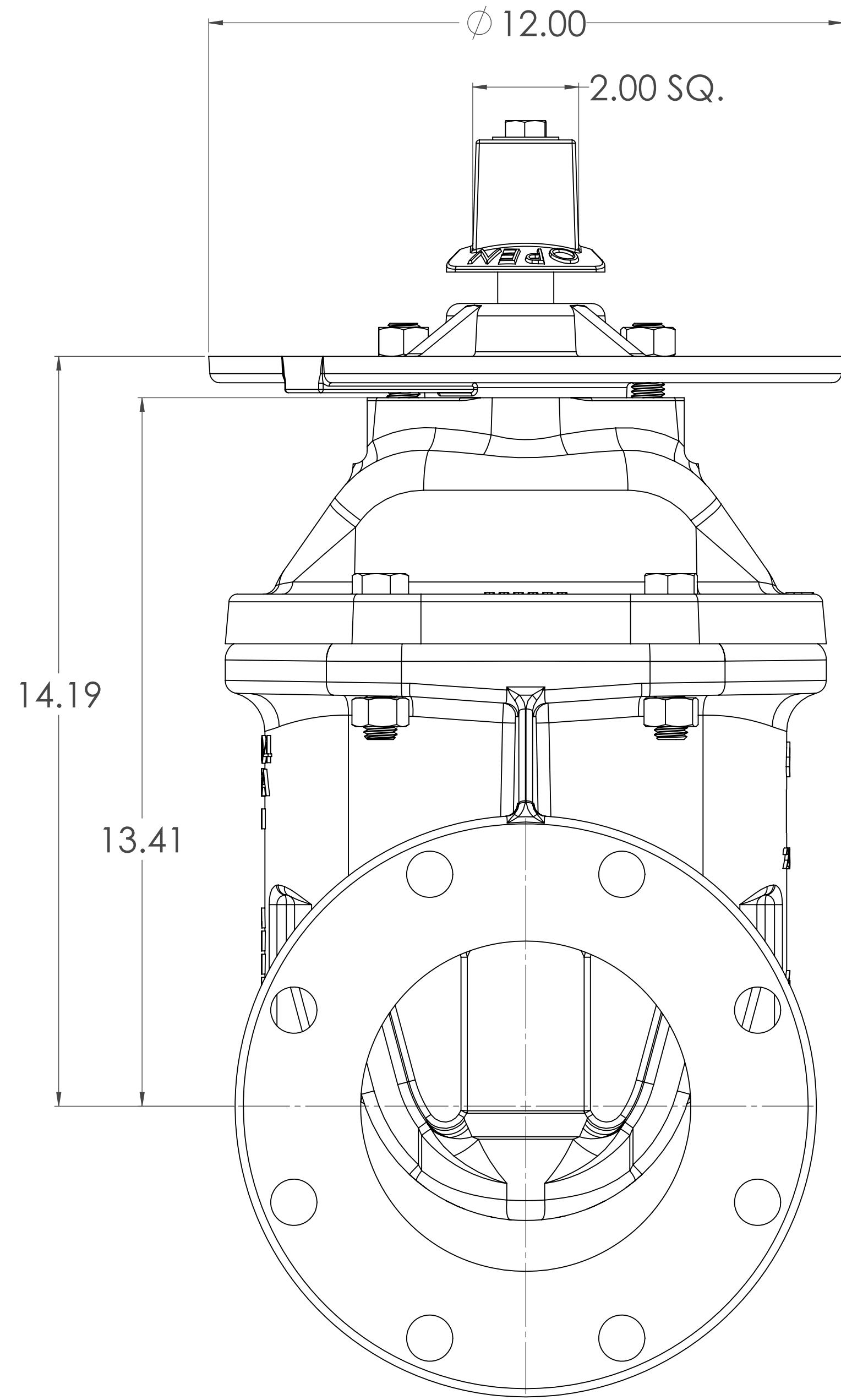
THIRD ANGLE PROJECTION STANDARDS: ANSI/ASME Y14.100, Y14.1M, AND Y14.141 TOLERANCES AS FOLLOWS UNLESS OTHERWISE SPECIFIED.		PROPERTY OF MCWANE CORPORATION. ALL DIMENSIONS AND IDENTIFIER DESIGNATIONS ARE PROPRIETARY TO MCWANE CORPORATION AND IS UNREPRODUCIBLE WITHOUT PERMISSION FROM MCWANE CORPORATION OR OTHERWISE ARRANGED. ALL RIGHTS RESERVED.		D
CASTING TOLERANCES: 0.4": ± 0.005 0.8": ± 0.004 1.2": ± 0.003 1.8": ± 0.002 MIN RADII: 1/8" FINISH: Z	MACHINED DIMENSIONS: DECIMALS: ± 0.005 FRACTIONS: ± 0.004 ANGLE: ± 1° SURFACE FINISH: 125 μin RADII: 1/8"	ESTIMATED WEIGHT: LBS.	DESCRIPTION: 06" C509 NRS RESILIENT WEDGE GATE VALVE	SHEET OF 2 OF 6
DESIGNED BY: CW	DATE DRAWN: 10/01/2020	CHECKED BY: CH	SCALE: 1:5	SOFTWARE: Solidworks 2018 SP2



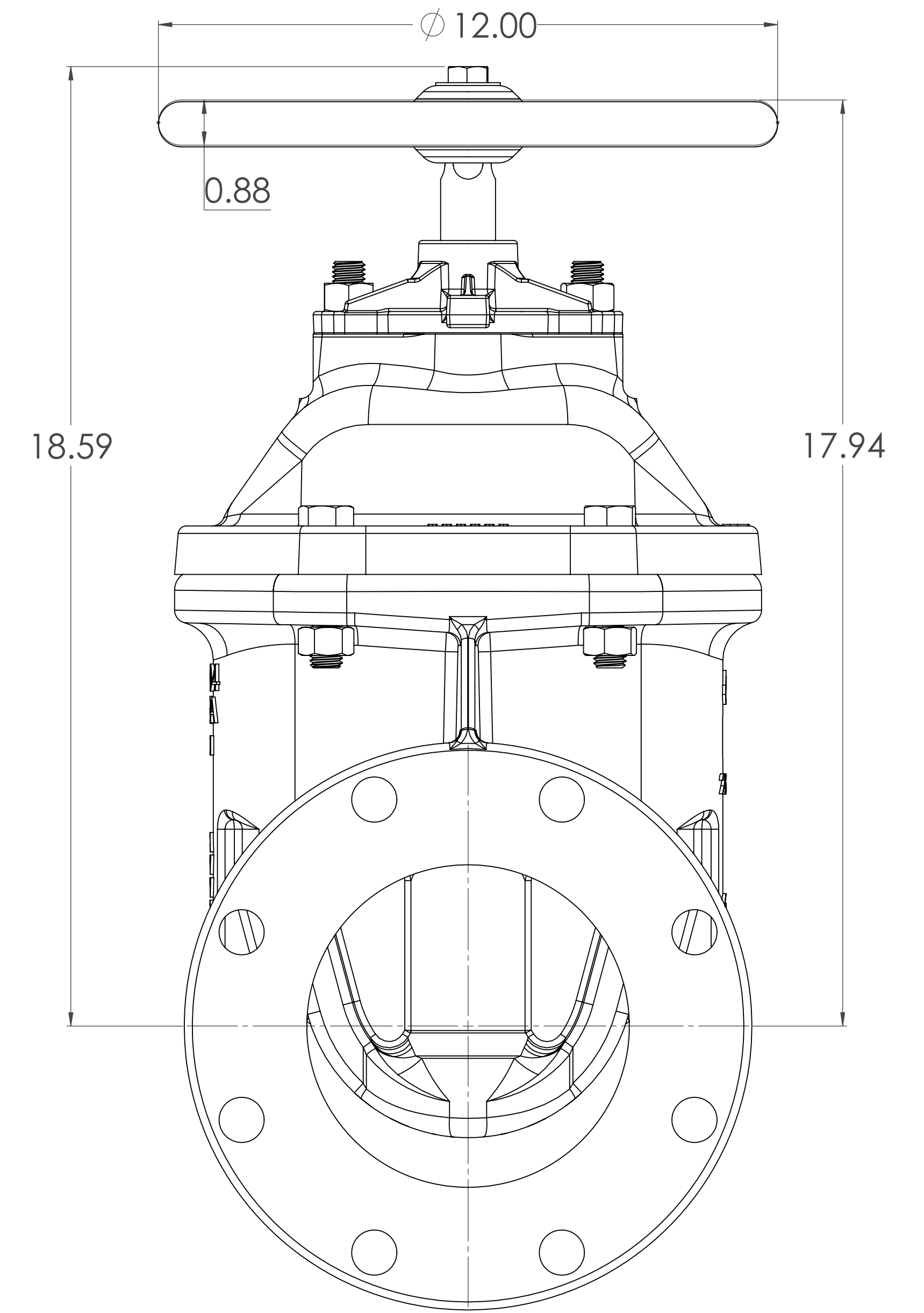
OPERATING NUT WITH O-RING PLATE



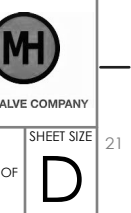
OPERATING NUT WITH INDICATOR POST PLATE

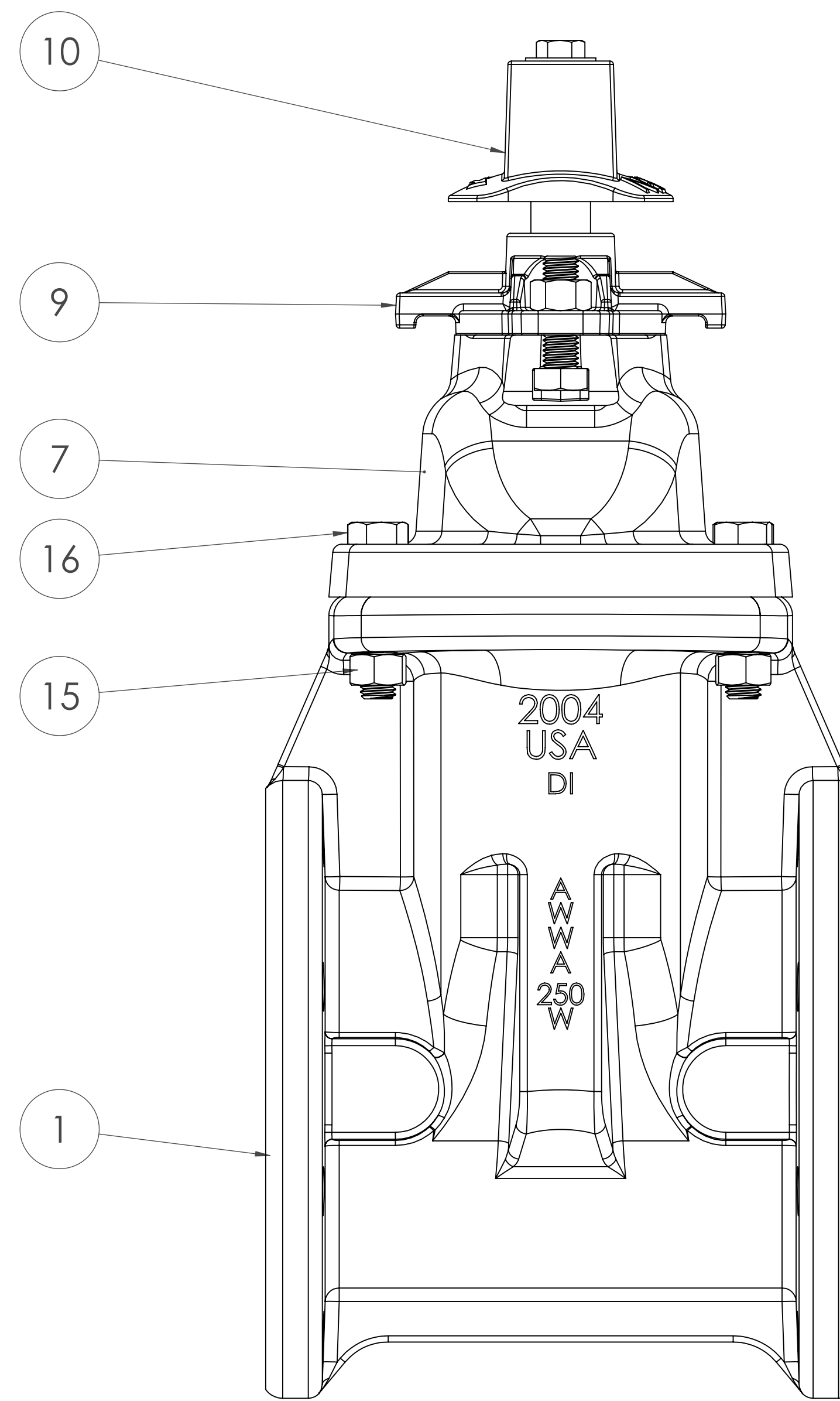
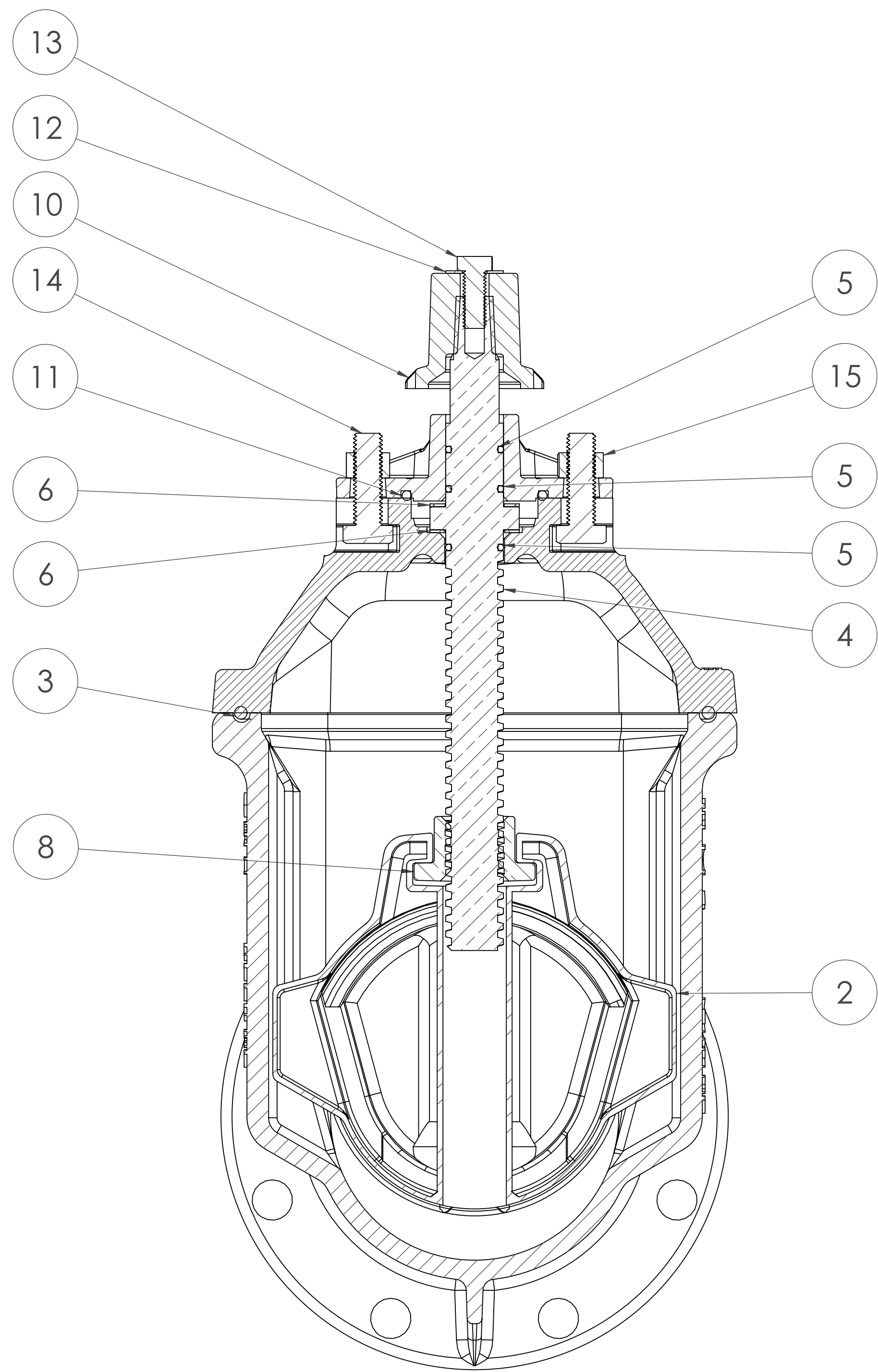


HANDWHEEL WITH O-RING PLATE

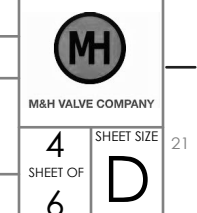


THIRD ANGLE PROJECTION STANDARDS: ANSI/ASME Y14.5-2018 AND Y14.41-2014 TOLERANCES: AS FOLLOWS UNLESS OTHERWISE SPECIFIED.		PROPERTY OF MCWANE CORPORATION. ALL DIMENSIONS AND IDENTIFIERS ARE PROPRIETARY TO MCWANE CORPORATION AND ITS SUBSIDIARIES. DISTRIBUTION RESTRICTED TO PURCHASERS OF DIRECTED USE UNLESS OTHERWISE ARRANGED. ALL RIGHTS RESERVED.		REVISION D
CASTING TOLERANCES 0.4": ± 0.005 0.8": ± 0.004 1.2": ± 0.003 1.8": ± 0.002 MIN. RADIUS: 1/8" MIN. DRAFT: 2°		MACHINED DIMENSIONS DECIMALS: ± 0.005 FRACTIONS: ± 0.004 ANGLE: ± 1° SURFACE FINISH: 125 μin RADIUS: 1/8"		ESTIMATED WEIGHT LBS.
DRAWN BY: CW DATE: 10/01/2020		CHECKED BY: [Blank] DATE: [Blank]		
DESCRIPTION 06" C509 NRS RESILIENT WEDGE GATE VALVE		SCALE: 1:5 SHEET OF 6		





THIRD ANGLE PROJECTION. STANDARDS: ANSI/ASME Y14.100, Y14.1, AND Y14.4. TOLERANCES AS FOLLOWS UNLESS OTHERWISE SPECIFIED.		PROPERTY OF MCWANE CORPORATION. ALL DIMENSIONS AND IDENTIFICATION ARE PROPRIETARY TO MCWANE CORPORATION AND IS UNREPRODUCIBLE WITHOUT PERMISSION FROM MCWANE CORPORATION. ALL RIGHTS RESERVED.		DATE: 10/01/2020	DESIGNER: D
CASTING TOLERANCES:		MATCHED DIMENSIONS:		MATERIAL: 150#	
0.4": ± 0.005	0.4": ± 0.005	DECIMALS: ± 0.005	DECIMALS: ± 0.005	ESTIMATED WEIGHT: 18.0 LBS.	
0.8": ± 0.004	0.8": ± 0.004	FRACTIONS: ± 1/64"	FRACTIONS: ± 1/64"	DESCRIPTION: 06" C509 NRS RESILIENT WEDGE GATE VALVE	
1.6": ± 0.003	1.6": ± 0.003	ANGLE: ± 1°	ANGLE: ± 1°	DRAWN BY: CW	
3.2": ± 0.002	3.2": ± 0.002	SURFACE FINISH: 125 μin	SURFACE FINISH: 125 μin	CHECKED BY: [Blank]	
6.4": ± 0.001	6.4": ± 0.001	RADI: 1/8"	RADI: 1/8"	SCALE: 1:10	
MIN RADIUS: 1/8"	MIN RADIUS: 1/8"	MIN DRAFT: 2°	MIN DRAFT: 2°	SHEET OF: 6	
				SHEET OF: 6	



SHEET OF 6

<u>ITEM NO.</u>	<u>COMPONENT</u>	<u>QTY.</u>	<u>SIZE</u>	<u>STANDARD MATERIAL</u>	<u>OPTIONAL MATERIALS</u>
1	BODY	1	-	DUCTILE IRON	-
2	WEDGE	1	-	EPDM/DUCTILE IRON	-
3	O-RING	1	#445	EPDM	BUNA-N
4	STEM	1	-	C86700	C99500 (LOW ZINC), 304 SS, 316 SS
5	O-RING	3	#214	EPDM	BUNA-N
6	THRUST WASHER	2	-	ACETAL	C26000
7	COVER	1	-	DUCTILE IRON	-
8	STEM NUT	1	-	C87850	C87610 (LOW ZINC)
9	O-RING PLATE	1	-	DUCTILE IRON	-
10	OPERATING NUT	1	-	DUCTILE IRON	C86700, ** ϕ 12" HANDWHEEL **
11	O-RING	1	#335	EPDM	BUNA-N
12	WASHER	1	1/2"	18-8 SS	316 SS
13	HEX HEAD CAP SCREW	1	1/2"-13 X 1 1/4"	18-8 SS	316 SS
14	HEX HEAD CAP SCREW	2	5/8"-11 X 2"	18-8 SS	316 SS
15	HEX NUT	6	5/8"-11	18-8 SS	316 SS
16	HEX HEAD CAP SCREW	4	5/8"-11 X 2 3/4"	18-8	316 SS

VALVES CONFORM WITH THE FOLLOWING STANDARDS

- AWWA C509
- NSF 61

- LOW ZINC BRASS STEM AND STEM NUT AVAILABLE
- 100% DOMESTIC FASTENERS AND ORINGS OPTIONS AVAILABLE
- *OPEN LEFT* (COUNTERCLOCKWISE) AND *OPEN RIGHT* (CLOCKWISE) OPTIONS AVAILABLE
- TURNS TO OPEN FROM FULLY CLOSED: 20
- AWWA MAXIMUM ALLOWABLE CLOSING TORQUE 110 FT-LBS
- OPTIONAL HANDWHEEL CAN BE SUBSTITUTED FOR STANDARD 2" SQUARE OP. NUTS.
 - **NOTE: STANDARD HANDWHEEL SIZE LISTED OUT IN PARTS LIST.**
- MAXIMUM PRESSURE RATING 250 PSI