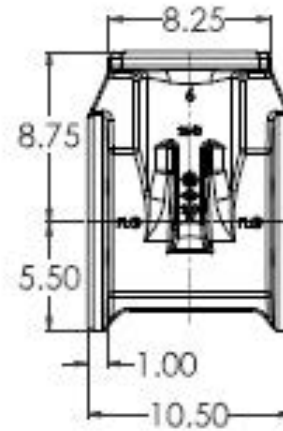
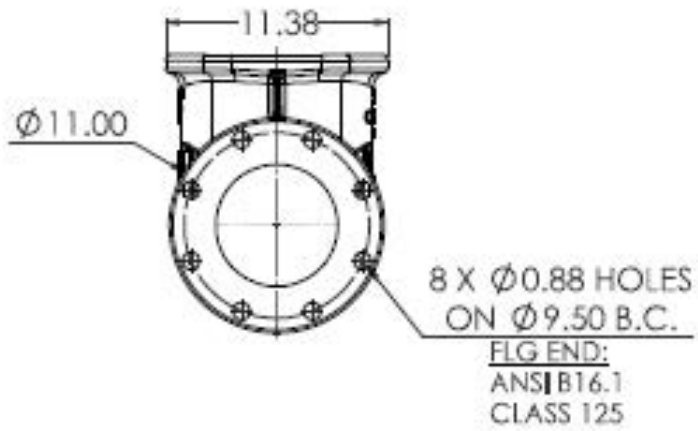


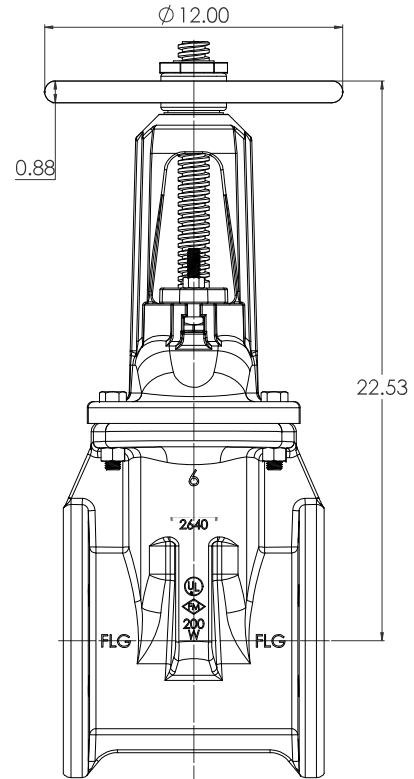
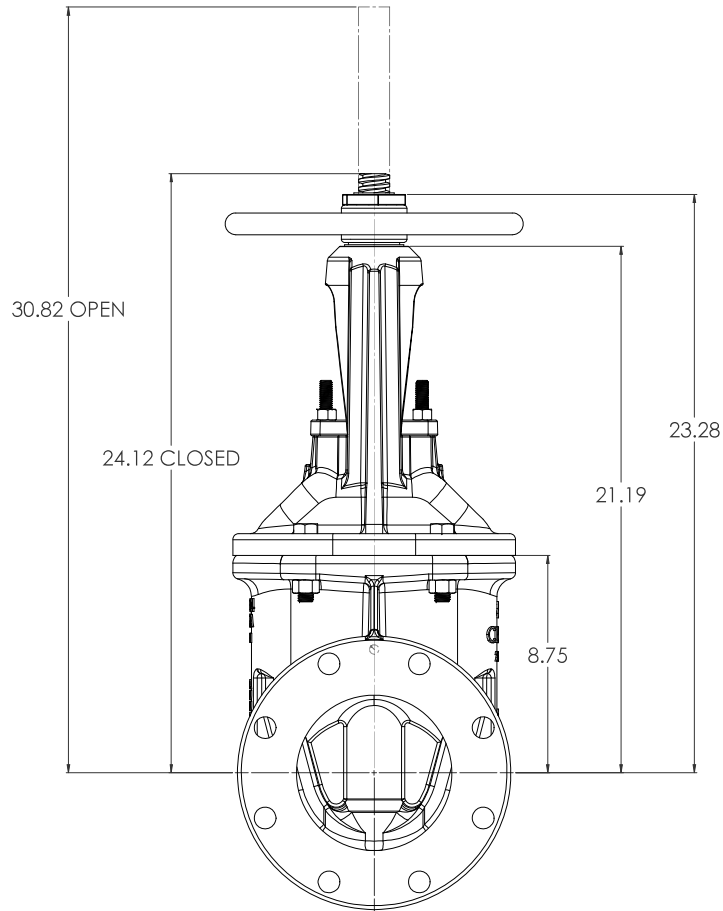
06" C509 FLG X FLG



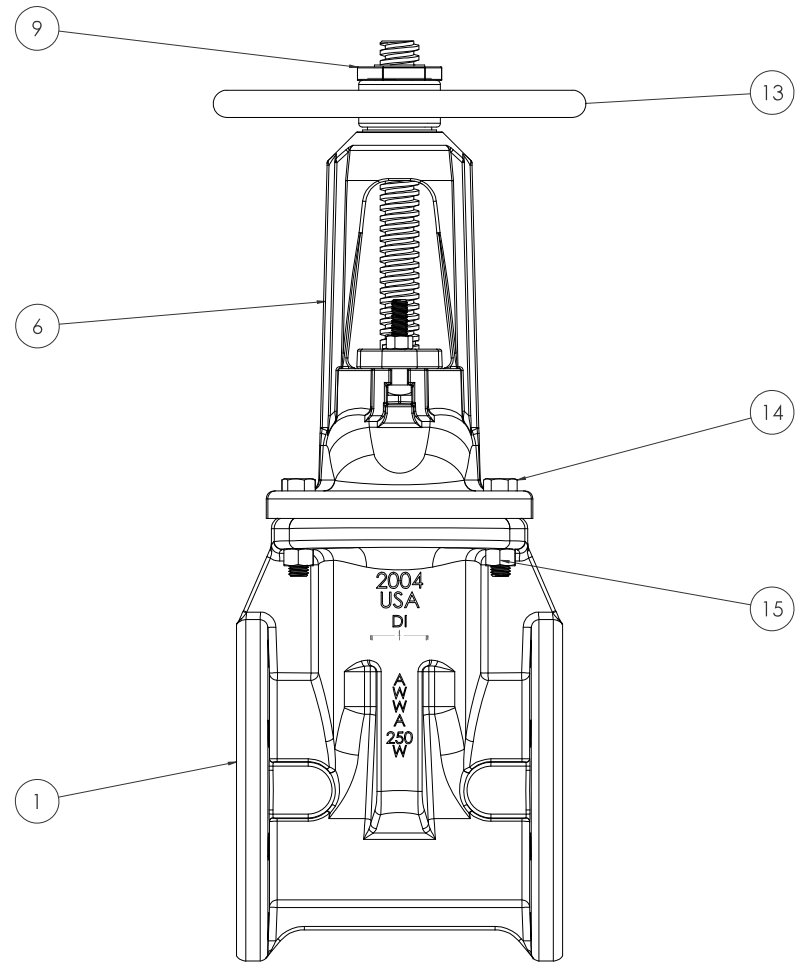
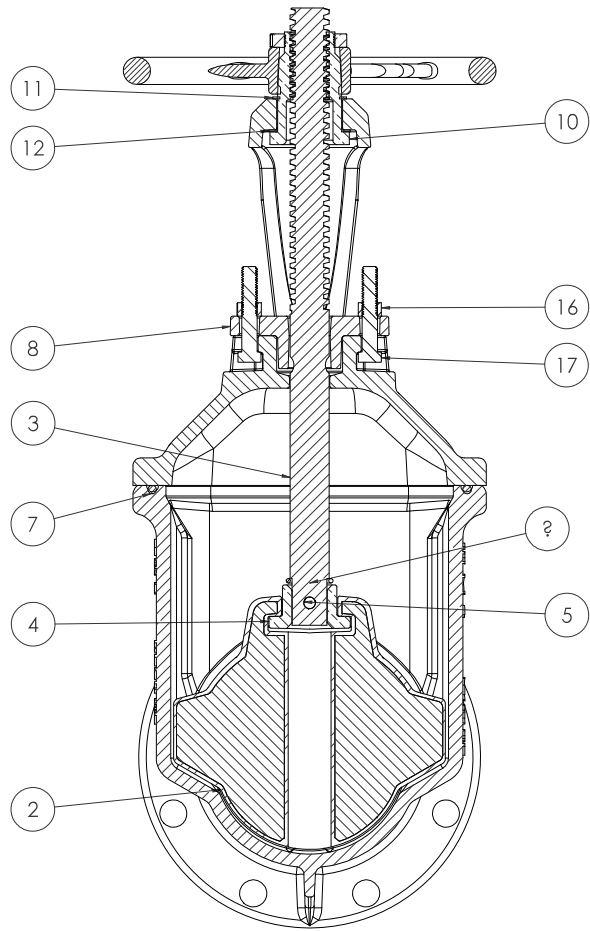
OTHER END CONNECTIONS ARE AVAILABLE UPON REQUEST.

COMPANY OSECO VALVE SYSTEMS, INC. 11111 LINDEN BLVD. WILSONVILLE, OR 97150-3808 TEL: 503.535.3800 FAX: 503.535.3801 WWW.OSECOVALVESYSTEMS.COM		REVISED BY JAC/ML/ML DATE 10/01/2020		PROJECT 06" C509 OS&Y RESILIENT WEDGE GATE VALVE		SCALE 1:5		WORKSHEET NO. 5		PROJECT NO. 2018-SPZ		DATE 10/01/2020	
DESIGNED BY JAC/ML/ML		CHECKED BY JAC/ML/ML		APPROVED BY JAC/ML/ML		DATE 10/01/2020		PROJECT NO. 2018-SPZ		WORKSHEET NO. 5		DATE 10/01/2020	

OS&Y WITH HANDWHEEL



OS&Y VALVE 06" CS6P OS&Y RESILIENT WEDGE GATE VALVE		2640 200 W FLG	2640 200 W FLG
DATE: 10/01/2020 DRAWN BY: CW CHECKED BY: [blank] APPROVED BY: [blank]	PROJECT: [blank] SHEET: 2 TOTAL SHEETS: 5	SCALE: 1:5 MATERIAL: LBS.	COMPANY: SolisWorks 2016 SP2



COMPANY: Subworks ADDRESS: 10000 10th Ave S, Seattle, WA 98148 PHONE: (206) 835-1100 FAX: (206) 835-1101 WWW: www.subworks.com		PROJECT: 06" C50P CS&Y RESILIENT WEDGE GATE VALVE LBS: 100 T: 1:10 DATE: 10/01/2020		
DRAWN BY: AW CHECKED BY: AW DATE: 10/01/2020	REVISED BY: AW CHECKED BY: AW DATE: 10/01/2020	PROJECT NO: 10000 DRAWING NO: 10000-10000-10000 SHEET NO: 3 TOTAL SHEETS: 5	SCALE: 1:10 MATERIAL: 100 QUANTITY: 100 UNIT: 100	SUBWORKS 10000 10th Ave S Seattle, WA 98148 (206) 835-1100 www.subworks.com

<u>ITEM NO.</u>	<u>COMPONENT</u>	<u>QTY.</u>	<u>SIZE</u>	<u>STANDARD MATERIAL</u>	<u>MATERIAL OPTIONS</u>
1	BODY	1	-	CAST IRON	DUCTILE IRON
2	WEDGE	1	-	EPDM/DUCTILE IRON	-
3	STEM	1	-	C65500	304 SS, 316 SS
4	STEM NUT	1	-	C87850	C87610 (LOW ZINC)
5	DRIVLOK PIN	1	3/8" X 1 3/4"	303 SS	-
6	COVER	1	-	CAST IRON	DUCTILE IRON
7	O-RING	1	#445	EPDM	BUNA-N
8	GLAND	1	-	CAST IRON	-
9	HOLD DOWN NUT	1	-	C87850	-
10	TOP STEM NUT	1	-	C86700	-
11	LOWER THRUST WASHER	1	2 3/32"	C26000	-
12	THRUST WASHER	1	2 5/32"	NYLATRON	-
13	HANDWHEEL	1	12"	DUCTILE IRON	-
14	HEX HEAD CAP SCREW	4	5/8"-11 X 2 3/4"	18-8 SS	316 SS
15	HEX NUT	4	5/8"-11	18-8 SS	316 SS
16	HEX NUT	2	1/2"-13	18-8 SS	316 SS
17	SQUARE HEAD CAP SCREW	2	1/2"-13 X 2 3/4"	18-8 SS	316 SS
19	O-RING	1	#218	EPDM	BUNA-N

- VALVES CONFORM WITH THE FOLLOWING STANDARDS
 - AWWA C509
 - NSF 61
- LOW ZINC BRASS STEM AVAILABLE
- 100% DOMESTIC FASTENERS AND ORINGS OPTIONS AVAILABLE
- *OPEN LEFT* (COUNTERCLOCKWISE) AND *OPEN RIGHT* (CLOCKWISE) OPTIONS AVAILABLE
- TURNS TO OPEN FROM FULLY CLOSED: 20
- AWWA MAXIMUM ALLOWABLE CLOSING TORQUE 110 FT-LBS

<small> COMPANY: SOLO WORKS ADDRESS: 10000 W. 10TH AVE., SUITE 100, DENVER, CO 80201 PHONE: 303.751.1000 FAX: 303.751.1001 WWW: WWW.SOLOWORKS.COM </small>	<small> PROJECT: 06" C509 CS&Y RESILIENT WEDGE GATE VALVE DATE: 10/01/2020 DRAWN BY: SW CHECKED BY: SW SCALE: 1:10 SHEET NO: 5 OF 5 </small>	
---	---	---