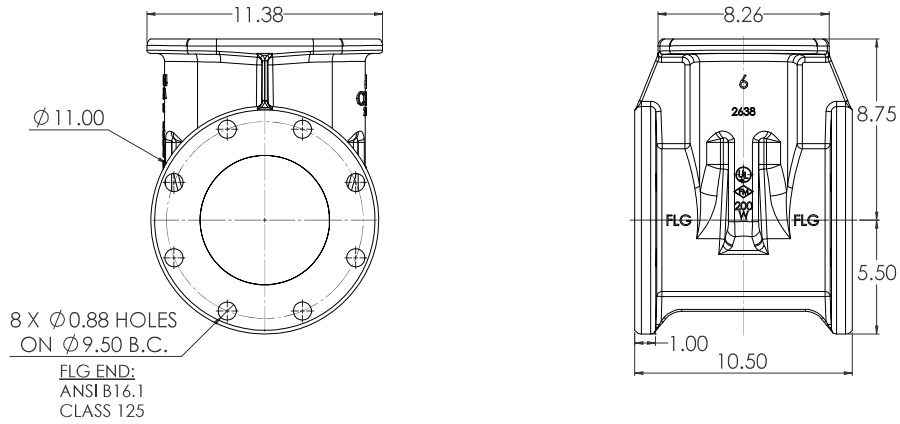
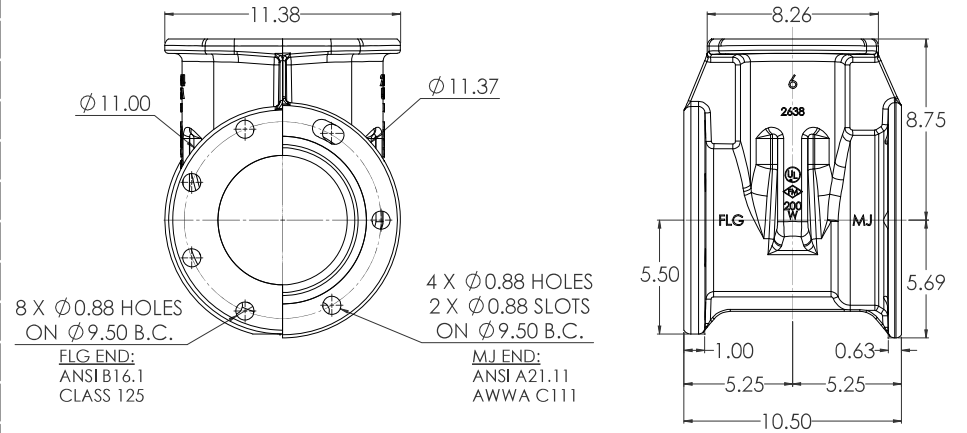


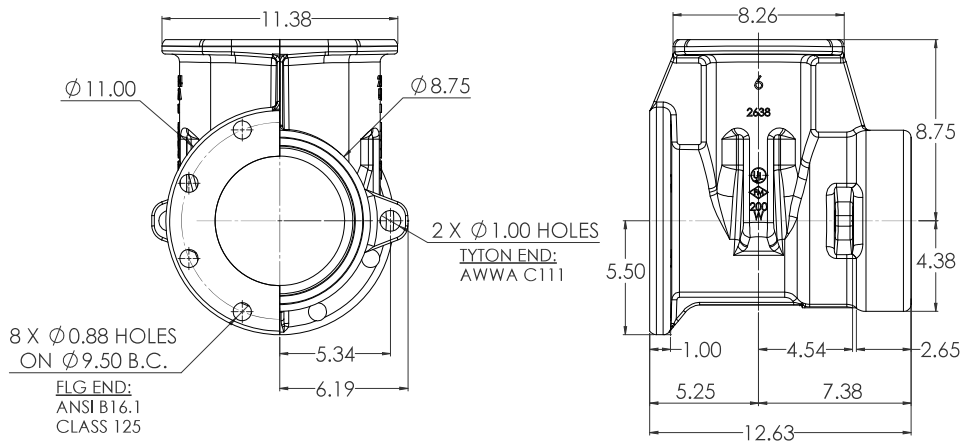
06" C515 FLG X FLG



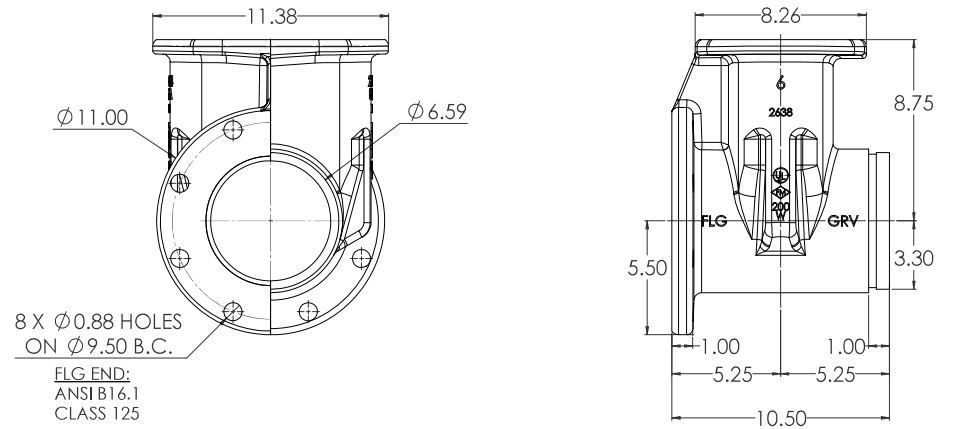
06" C515 FLG X MJ



06" C515 FLG X TYTON

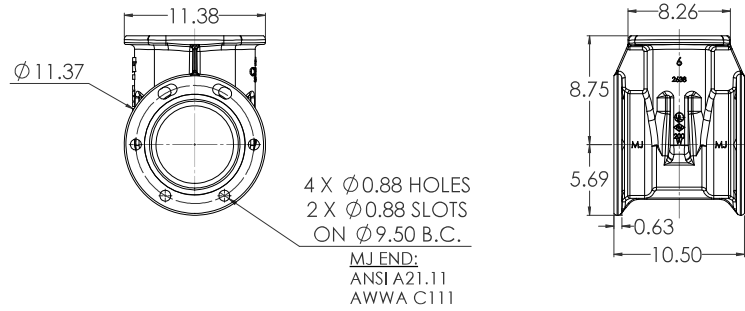


06" C515 FLG X GRVD

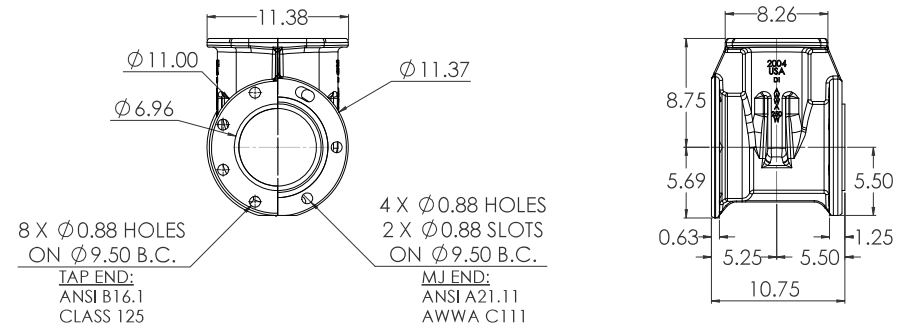


COMPANY: MECH-TECH ADDRESS: 1100 W. 11th St., Suite 100 Lincoln, NE 68502 PHONE: (402) 441-1111 FAX: (402) 441-1112 WWW: www.mech-tech.com	PRODUCT: 06" C515 NRS RESILIENT WEDGE GATE VALVE LBS.	SHEET NO: 6 OF: 6	DATE: 01/01/2020 DRAWN BY: CW CHECKED BY: SP	PROJECT: 06" C515 NRS RESILIENT WEDGE GATE VALVE SCALE: 1:2 DATE: 01/01/2020 DRAWN BY: CW CHECKED BY: SP	PROJECT: 06" C515 NRS RESILIENT WEDGE GATE VALVE SCALE: 1:2 DATE: 01/01/2020 DRAWN BY: CW CHECKED BY: SP
--	---	------------------------------------	---	---	---

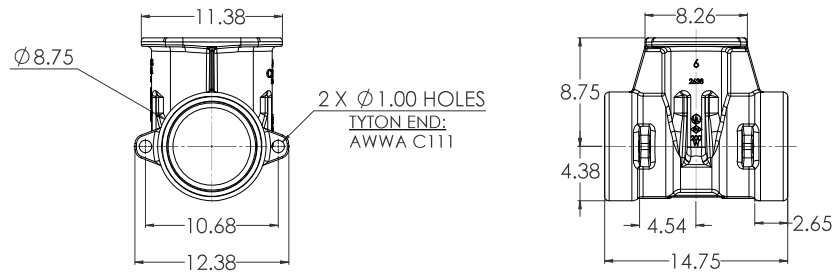
06" C515 MJ X MJ



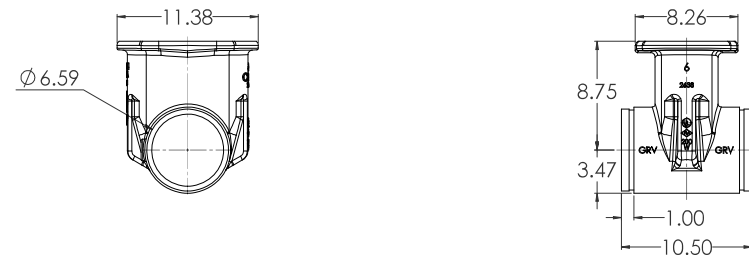
06" C515 MJ X TAP



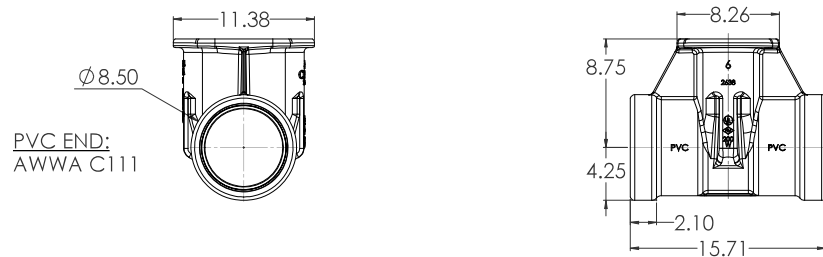
06" C515 TYTON X TYTON



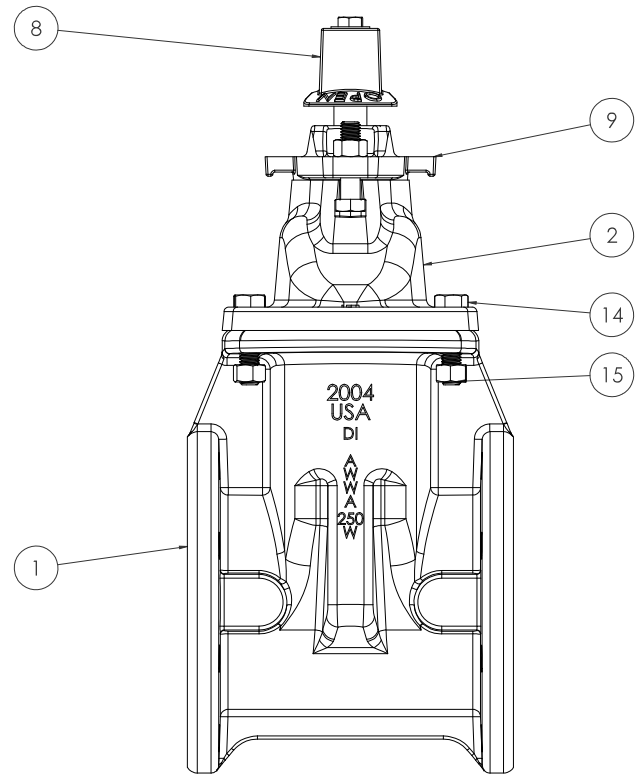
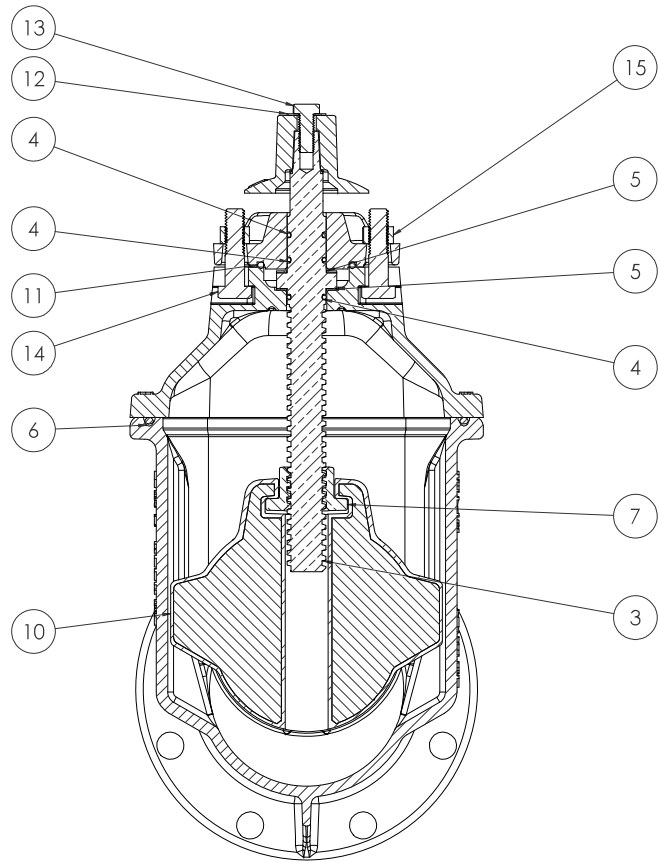
06" C515 GRVD X GRVD



06" C515 PVC X PVC



COMPANY: SOLOWORKS ADDRESS: 11000 W. 11th Ave., Suite 100 Overland Park, KS 66213 PHONE: (913) 666-1100 FAX: (913) 666-1101 WWW: www.soloworks.com	PROJECT: 06" C515 NRS RESILIENT WEDGE GATE VALVE DATE: 10/01/2020 DRAWN BY: CW CHECKED BY:	SCALE: 1:5 SHEET NO: 2 TOTAL SHEETS: 6	SOLOWORKS 2016 SP2
--	--	--	--------------------



WORLDWIDE VALVE MANUFACTURING 10000 W. 10th Street, Suite 100, Denver, CO 80231 (303) 440-1000		06" CS18 NRS RESILIENT WEDGE GATE VALVE			
DATE OF DESIGN: 11/2017 DATE OF MANUFACTURE: 11/2017 DATE OF TEST: 11/2017 DATE OF DELIVERY: 11/2017	APPROVED BY: [Signature] CHECKED BY: [Signature] DRAWN BY: [Signature]	MATERIAL: CS18 NRS SIZE: 6"	WEIGHT: 100 lbs PRESSURE: 150 psi	PART NO: 10000-001 REV: 1	T:10 4 6
CW 10/01/2020		SolerWorks 2018 SP2			

<u>ITEM NO.</u>	<u>COMPONENT</u>	<u>QTY.</u>	<u>SIZE</u>	<u>STANDARD MATERIAL</u>	<u>MATERIAL OPTIONS</u>
1	BODY	1	-	DUCTILE IRON	-
2	COVER	1	-	DUCTILE IRON	-
3	STEM	1	-	C86200	C99500 (LOW ZINC), 304 SS, 316 SS
4	O-RING	3	#214	EPDM	BUNA-N
5	THRUST WASHER	2	-	ACETAL	C26000
6	O-RING	1	#445	EPDM	BUNA-N
7	STEM NUT	1		C87850	C87610 (LOW ZINC)
8	OPERATING NUT	1	-	CAST IRON	DUCTILE IRON, C86700, **12" DIA. HANDWHEEL**
9	O-RING PLATE	1	-	DUCTILE IRON	**INDICATOR POST PLATE**
10	WEDGE	1	-	EPDM/DUCTILE IRON	-
11	O-RING	1	#335	EPDM	BUNA-N
12	WASHER	1	1/2"	18-8 SS	316 SS
13	HEX HEAD CAP SCREW	1	1/2"-13 X 1 1/4"	18-8 SS	316 SS
14	HEX HEAD CAP SCREW	6	5/8"-11 X 2 1/4"	18-8 SS	316 SS
15	HEX NUT	6	5/8"-11	18-8 SS	316 SS

- VALVES CONFORM WITH THE FOLLOWING STANDARDS
 - AWWA C515
 - NSF 61
- LOW ZINC BRASS STEM AND STEM NUT AVAILABLE
- 100% DOMESTIC FASTENERS AND ORINGS OPTIONS AVAILABLE
- *OPEN LEFT* (COUNTERCLOCKWISE) AND *OPEN RIGHT* (CLOCKWISE) OPTIONS AVAILABLE
- TURNS TO OPEN FROM FULLY CLOSED: 20
- AWWA MAXIMUM ALLOWABLE CLOSING TORQUE 110 FT-LB
- OPTIONAL HANDWHEEL CAN BE SUBSTITUTED FOR STANDARD 2" SQUARE OP. NUTS.
 - **NOTE: STANDARD HANDWHEEL SIZE LISTED OUT IN PARTS LIST.**

WATERWORKS <small>10000 W. 100th St. - Overland Park, MO 66204 (816) 875-1000 www.waterworksinc.com</small>		<small>© 2016 Waterworks Inc. All rights reserved. 06" CS15 NRS RESILIENT WEDGE GATE VALVE</small>		 5 <small>OF 6</small>
<small>DATE: 10/01/2020 TIME: 10:00 AM USER: CW</small>	<small>DATE: 10/01/2020 TIME: 10:00 AM USER: CW</small>	<small>DATE: 10/01/2020 TIME: 10:00 AM USER: CW</small>	<small>DATE: 10/01/2020 TIME: 10:00 AM USER: CW</small>	