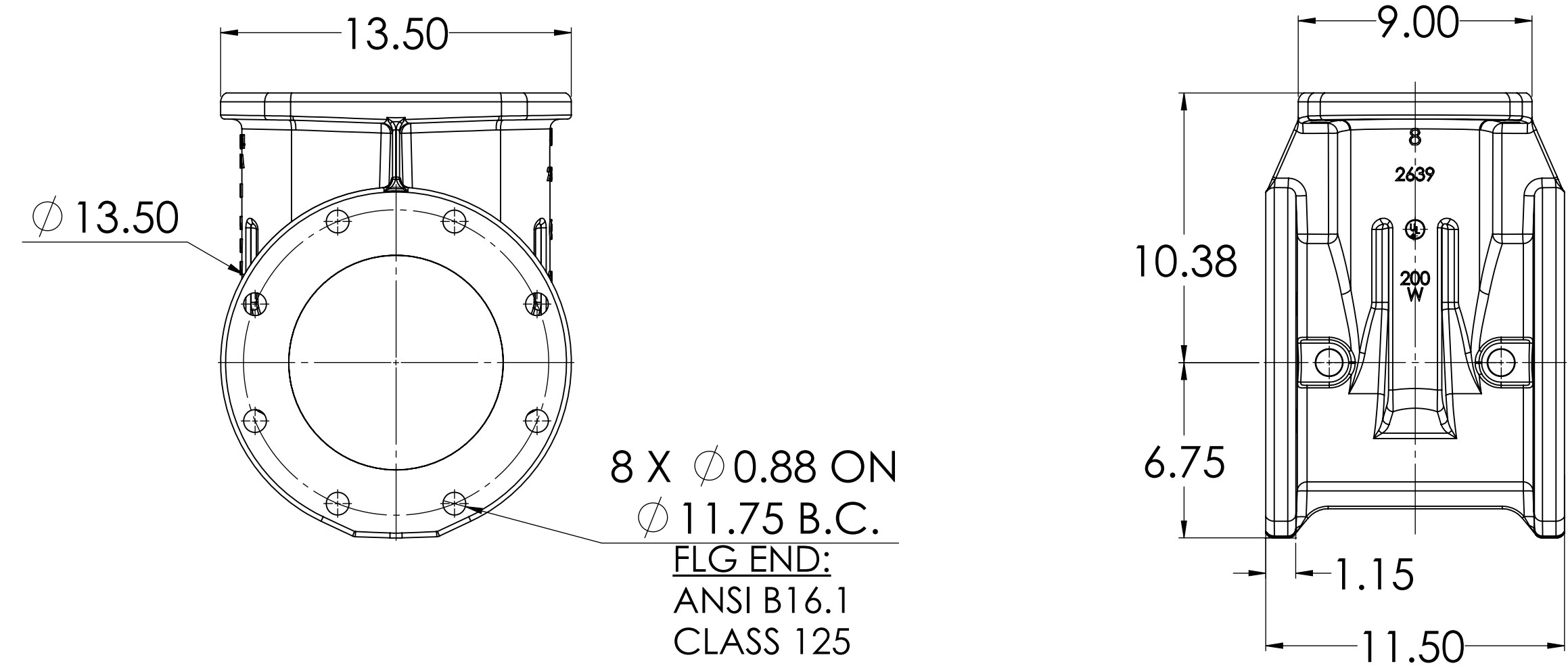
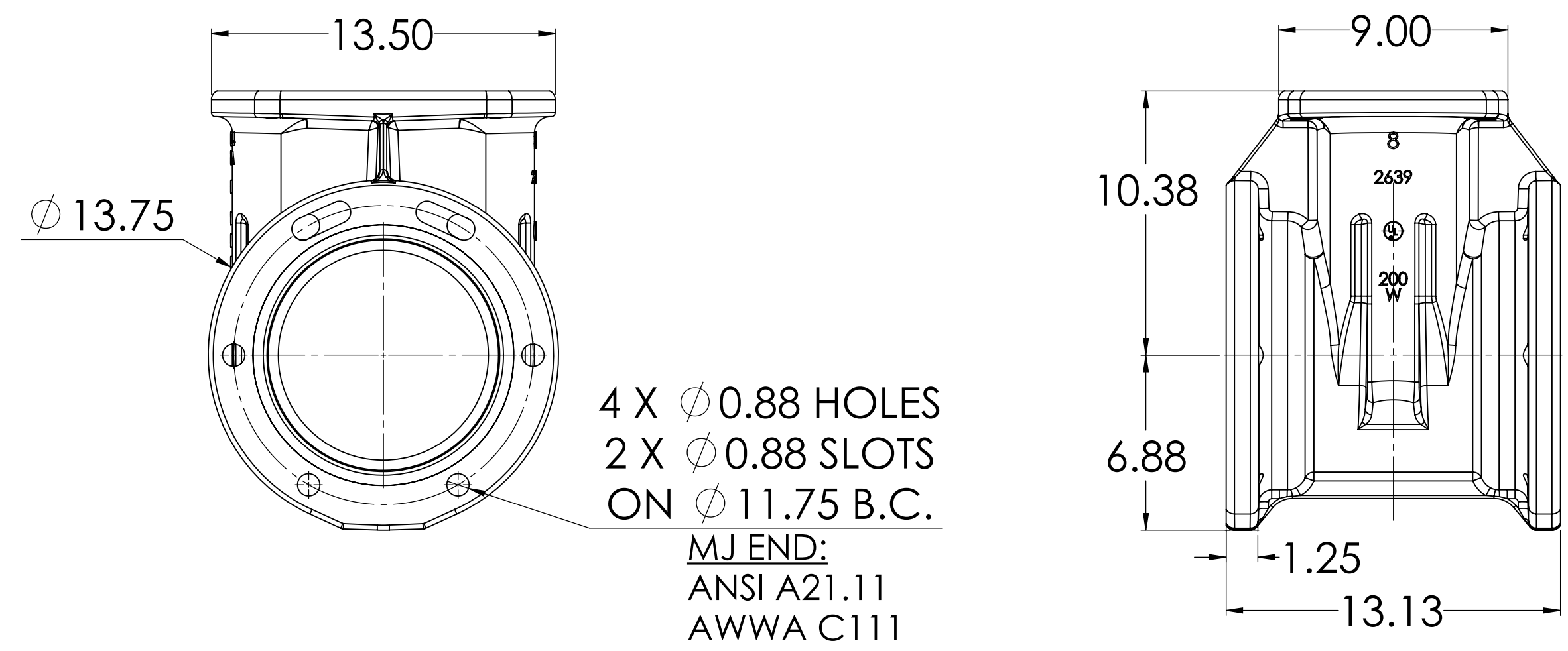


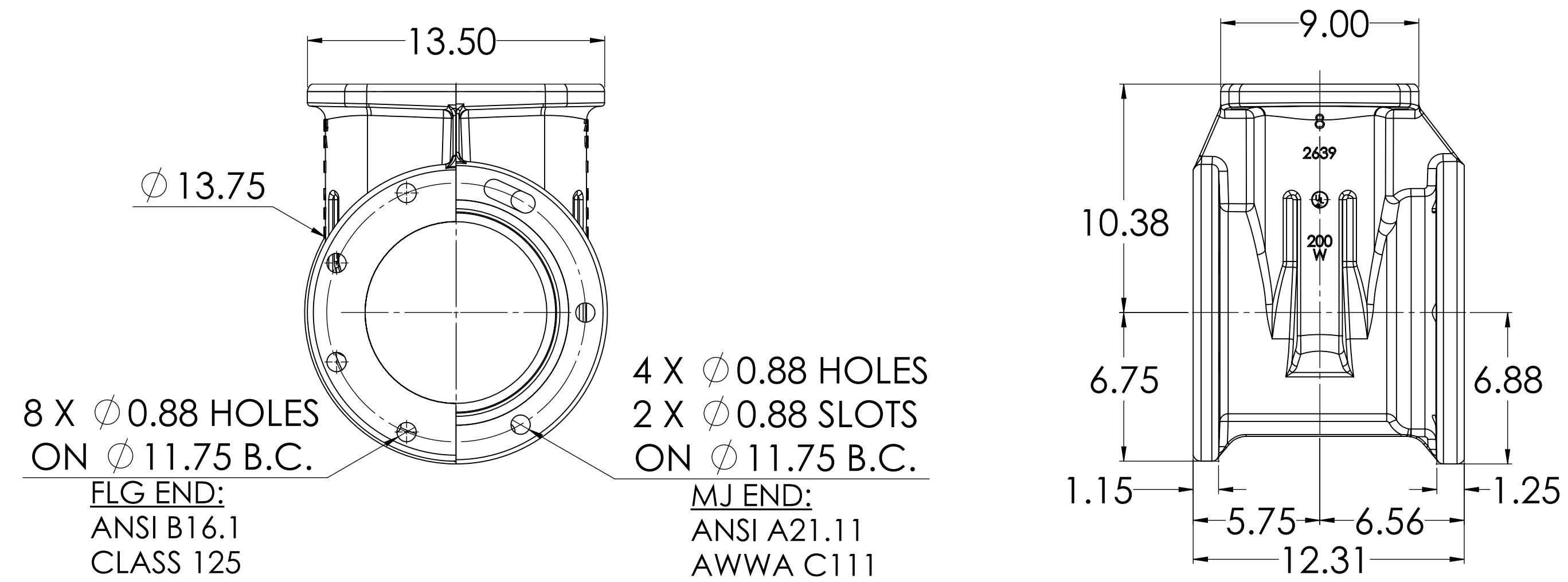
### 08" C509 FLG X FLG



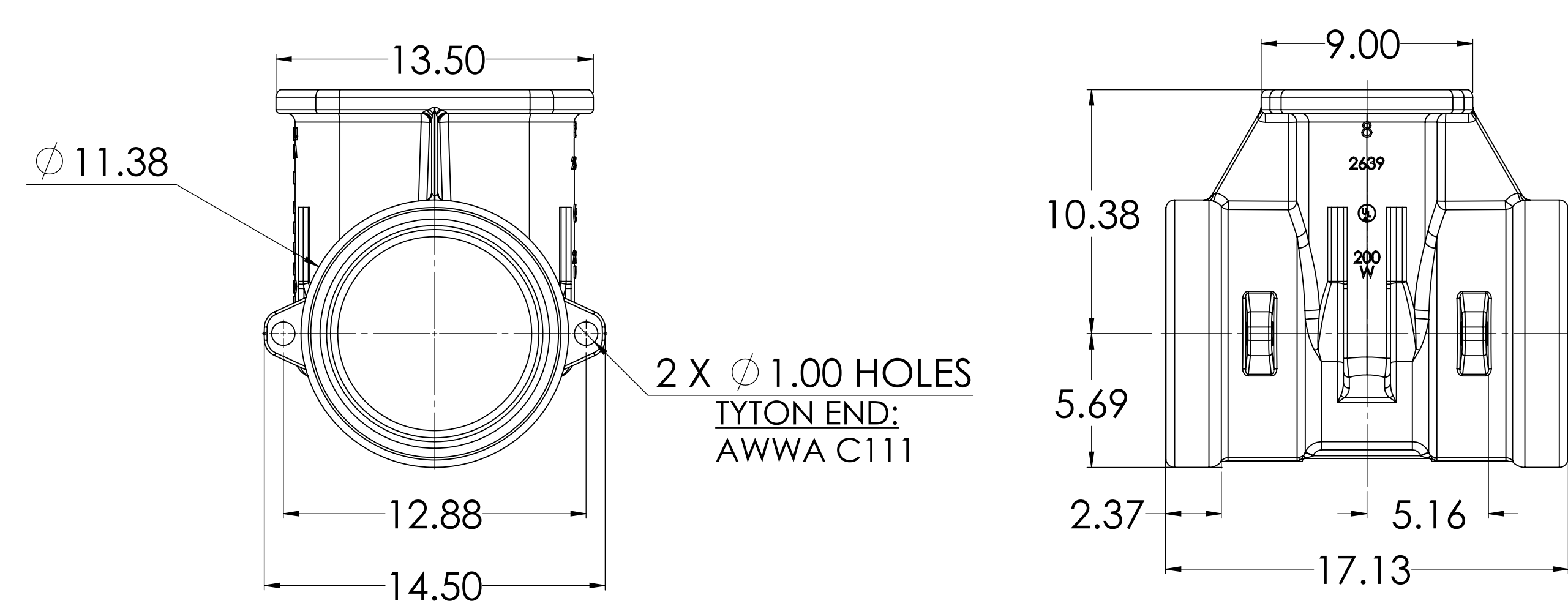
### 08" C509 MJ X MJ



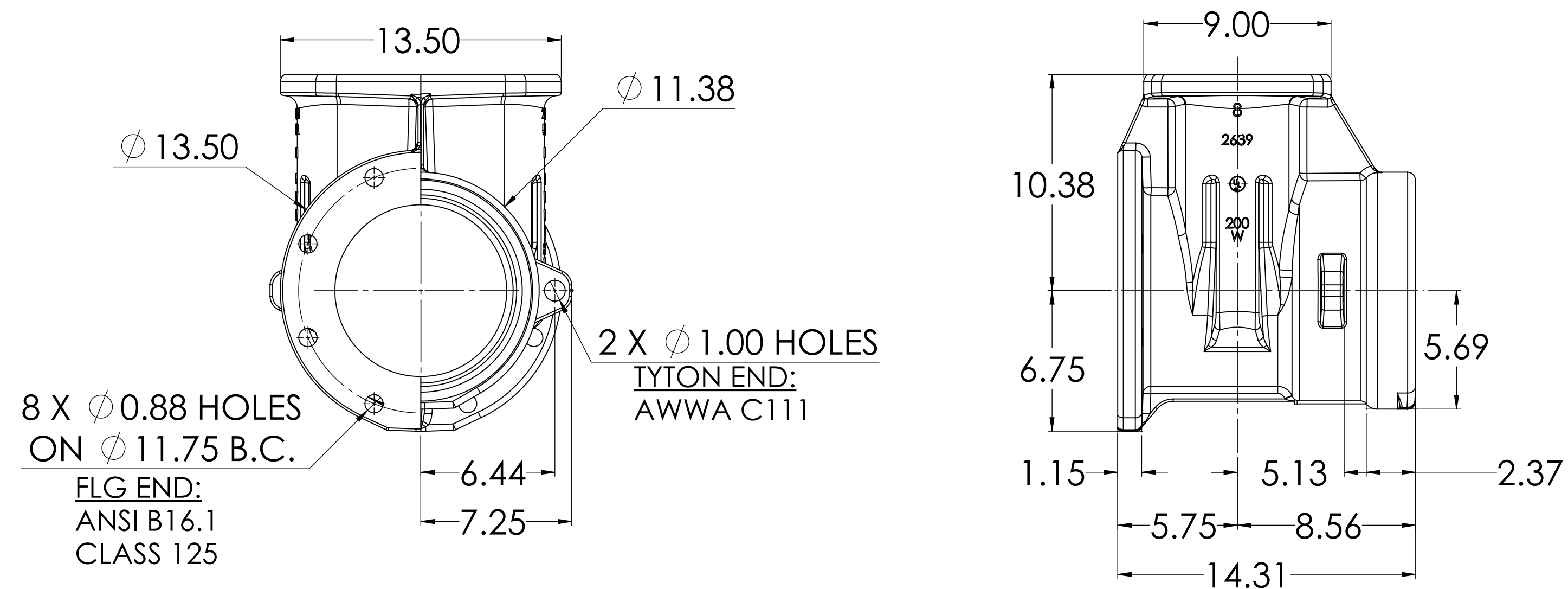
### 08" C509 FLG X MJ



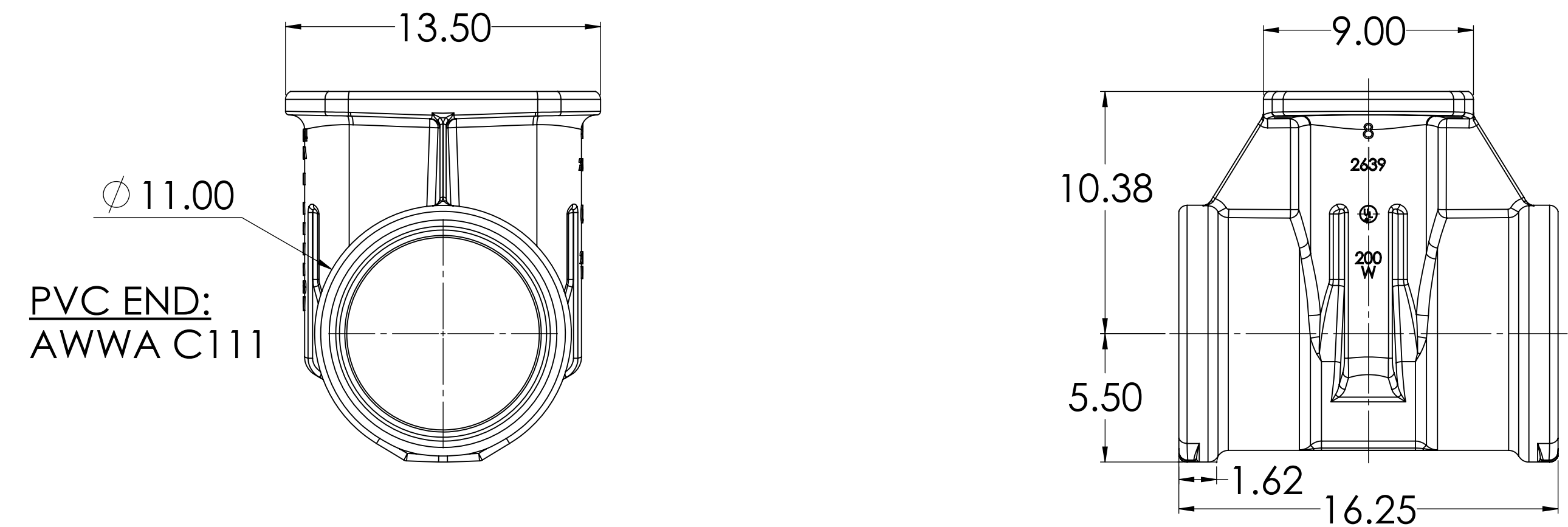
### 08" C509 TYTON X TYTON



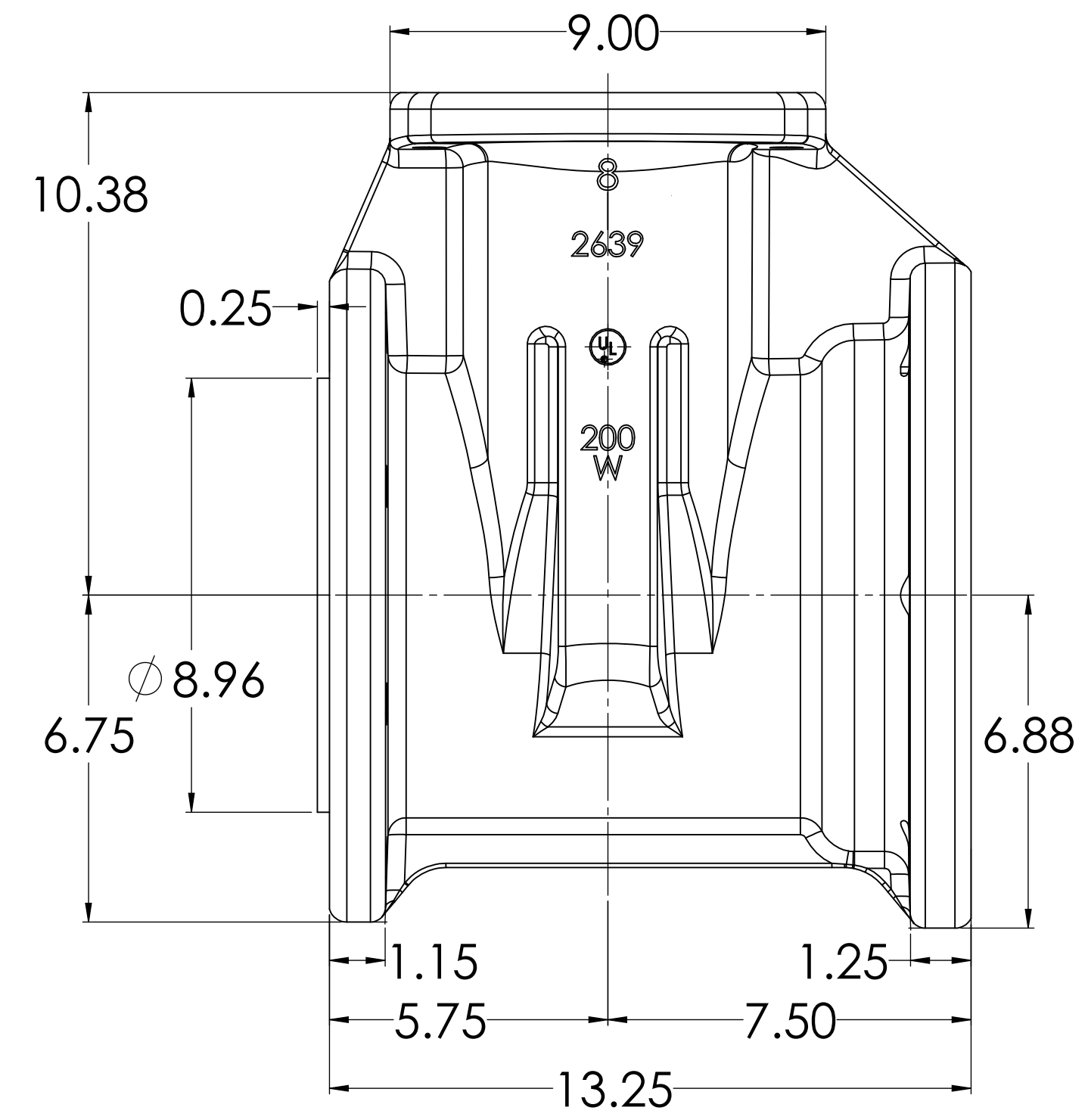
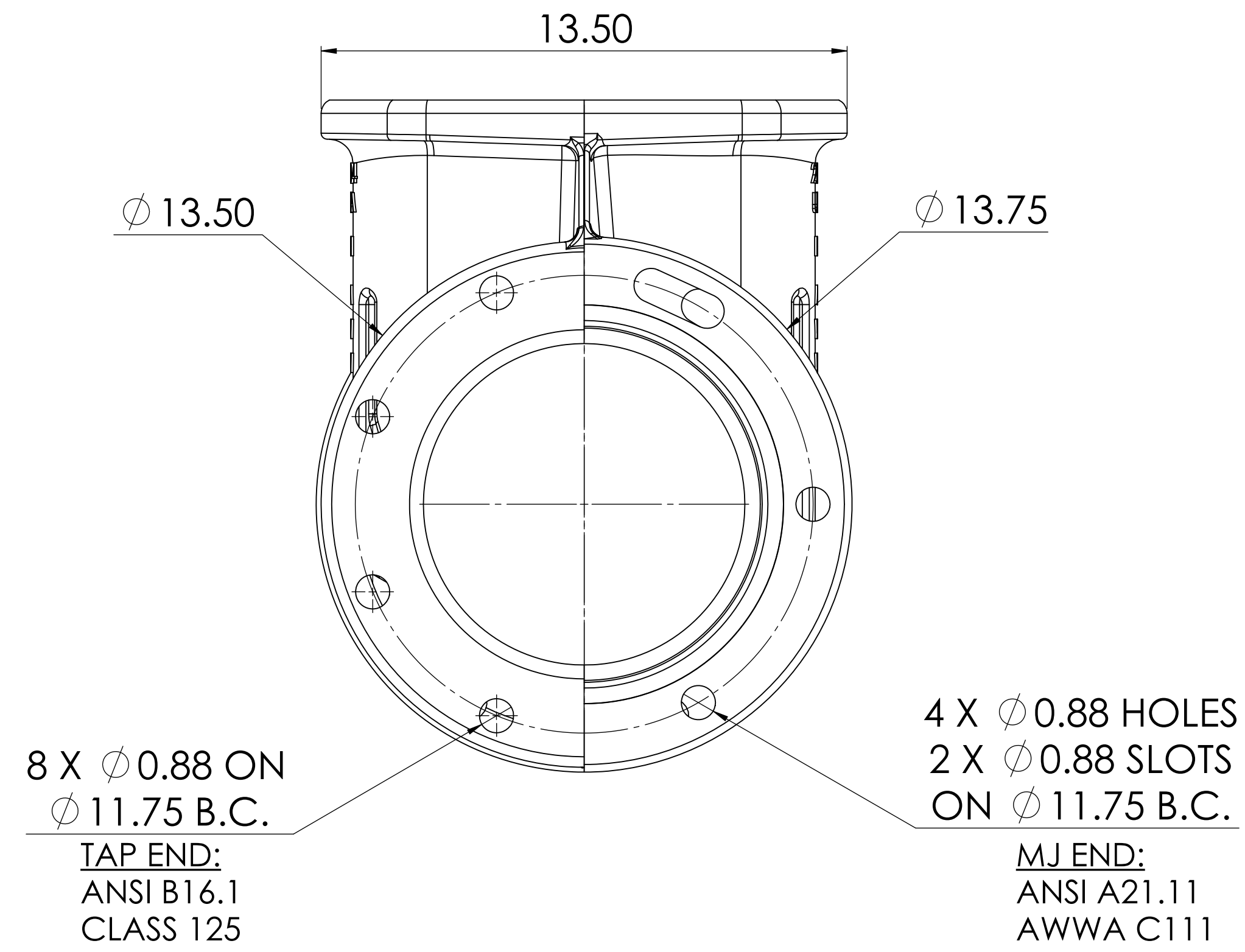
### 08" C509 FLG X TYTON



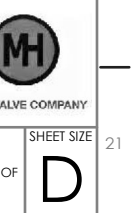
### 08" C509 PVC X PVC



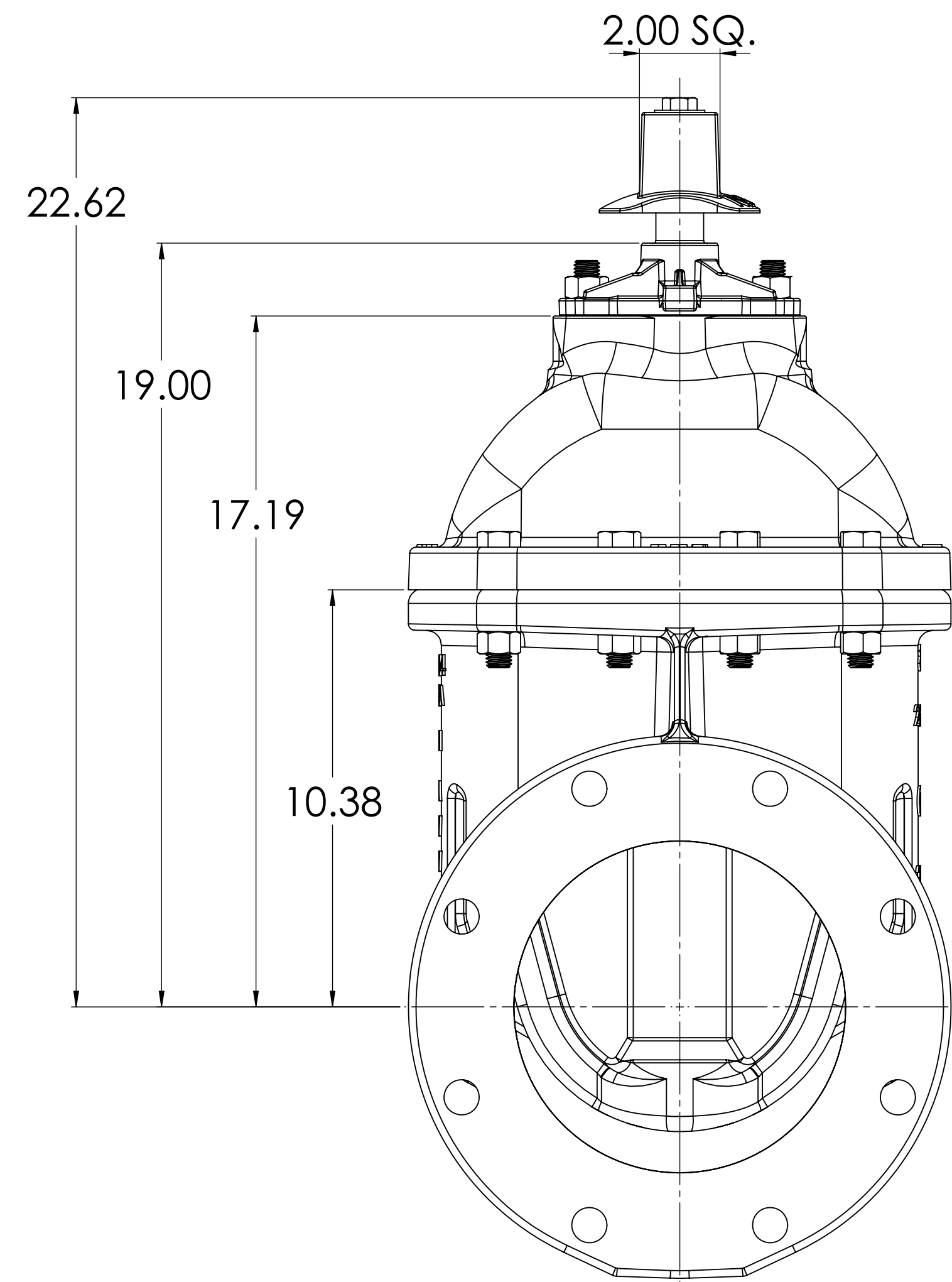
# 08" C509 MJ X TAP



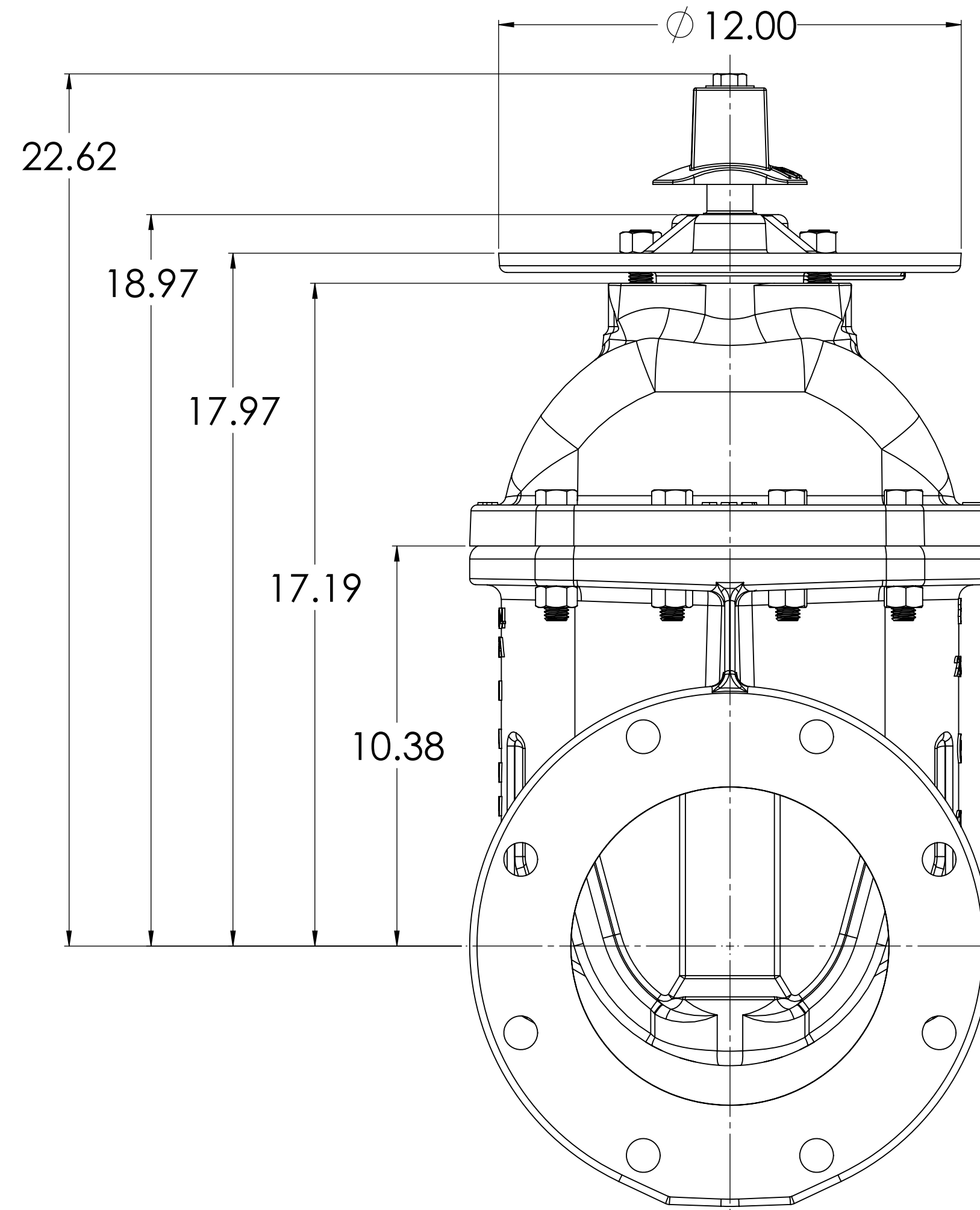
THIRD ANGLE PROJECTION STANDARDS: ANSI/ASME Y14.100, Y14.101, AND Y14.104 TOLERANCES AS FOLLOWS UNLESS OTHERWISE SPECIFIED.		PROPERTY OF MCWANE CORPORATION. ALL RIGHTS AND INTERESTS RESERVED. THIS DRAWING IS THE PROPERTY OF MCWANE CORPORATION AND IS UNREPRODUCIBLE WITHOUT THE WRITTEN PERMISSION OF MCWANE CORPORATION. ALL RIGHTS RESERVED.		D
CASTING TOLERANCES: 0.4": ± 0.005 0.8": ± 0.004 1.6": ± 0.003 3.2": ± 0.002 6.4": ± 0.0015 12.8": ± 0.001	MACHINED DIMENSIONS: DECIMALS: ± 0.005 FRACTIONS: ± 0.004 ANGLE: ± 1° SURFACE FINISH: 125 μin RAD: ± 0.001	ESTIMATED WEIGHT: <b>LBS.</b>	DESCRIPTION: <b>08" C509 NRS RESILIENT WEDGE          GATE VALVE</b>	SHEET NO: <b>2</b> SHEET OF <b>6</b>
DESIGNED BY: <b>CW</b>	DATE DRAWN: <b>12/2/2020</b>	CHECKED BY: <b>CH</b>	SCALE: <b>1:5</b>	SOFTWARE: <b>Solidworks 2018 SP2</b>



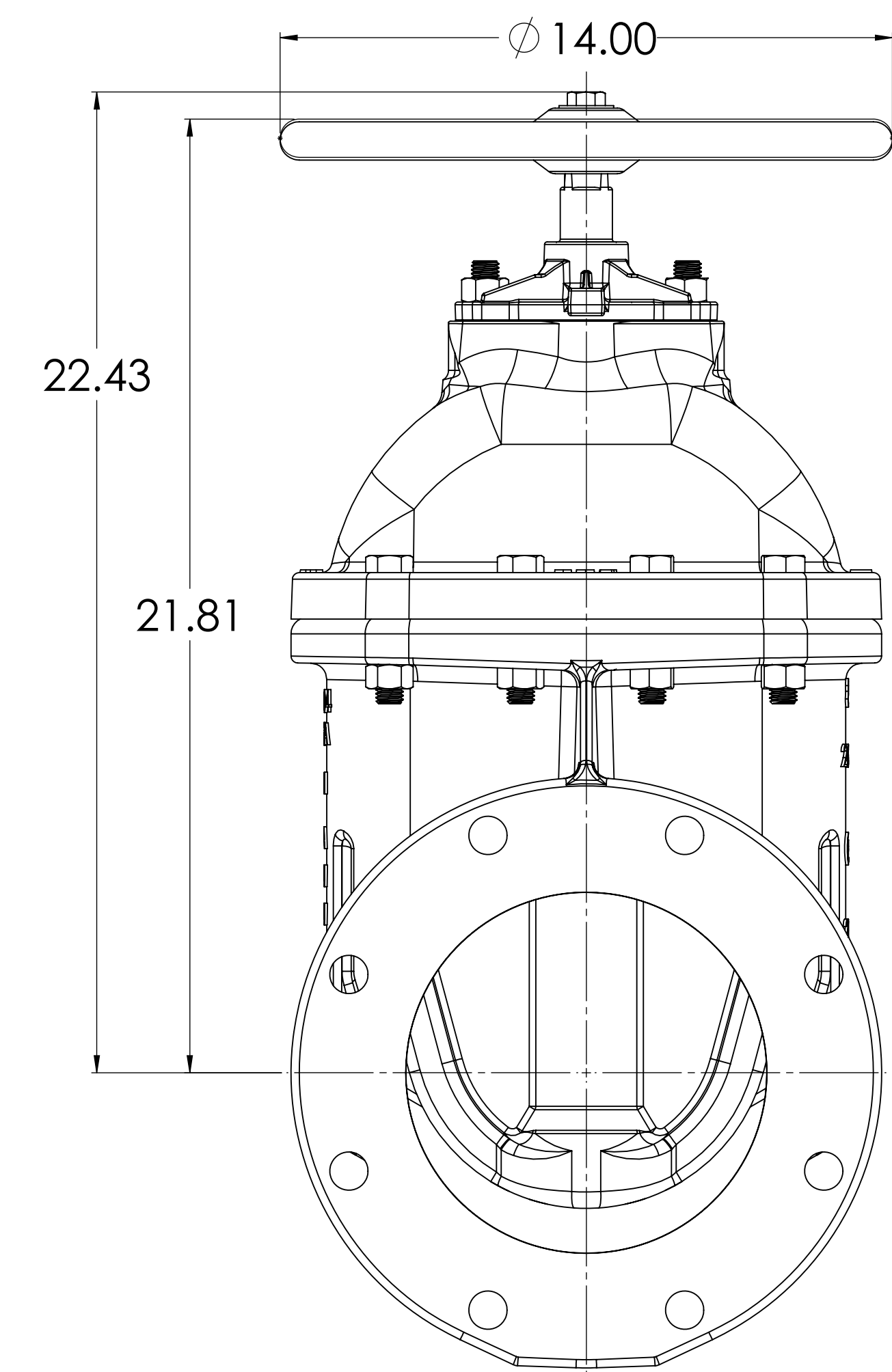
### OPERATING NUT WITH O-RING PLATE



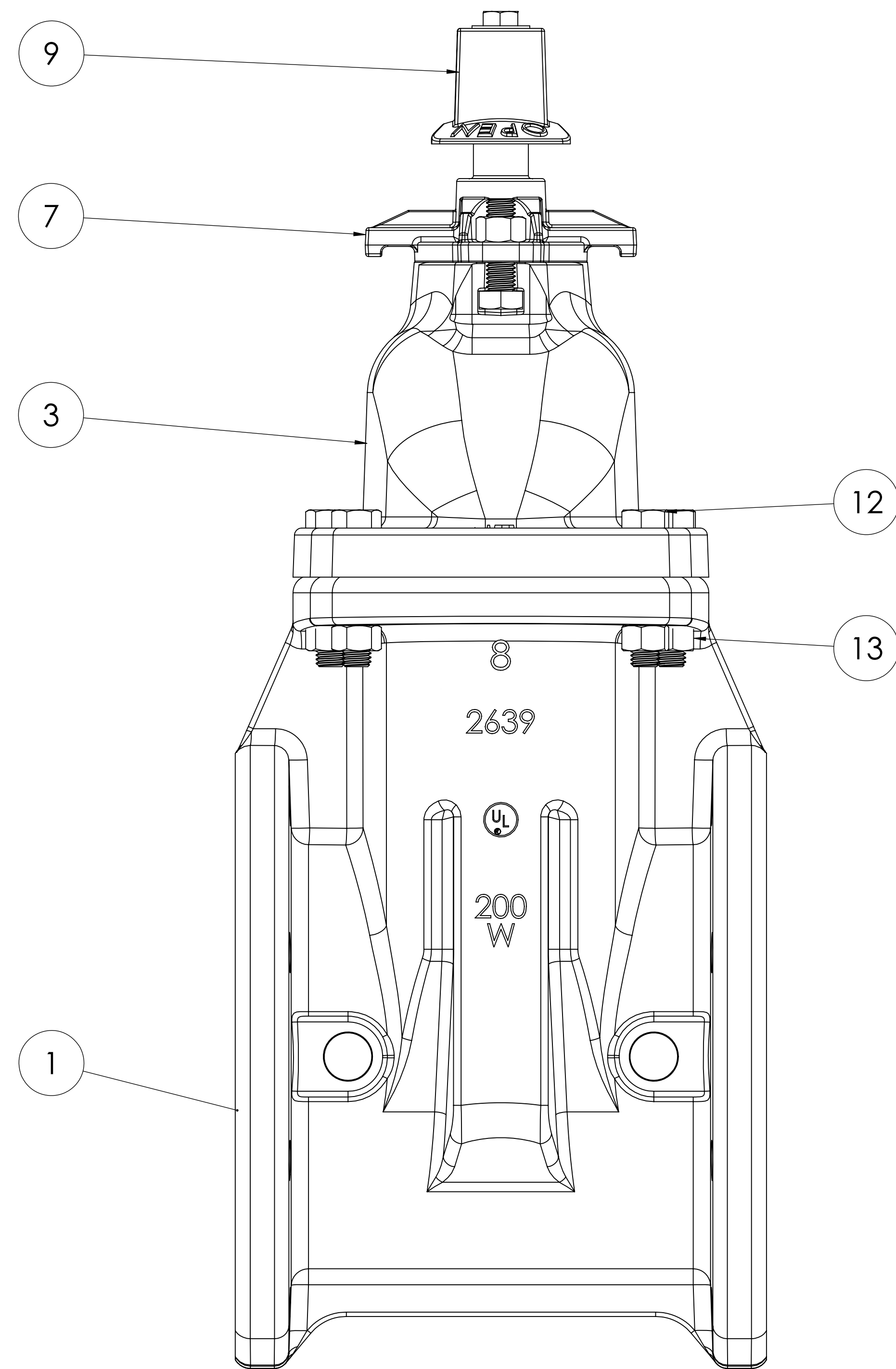
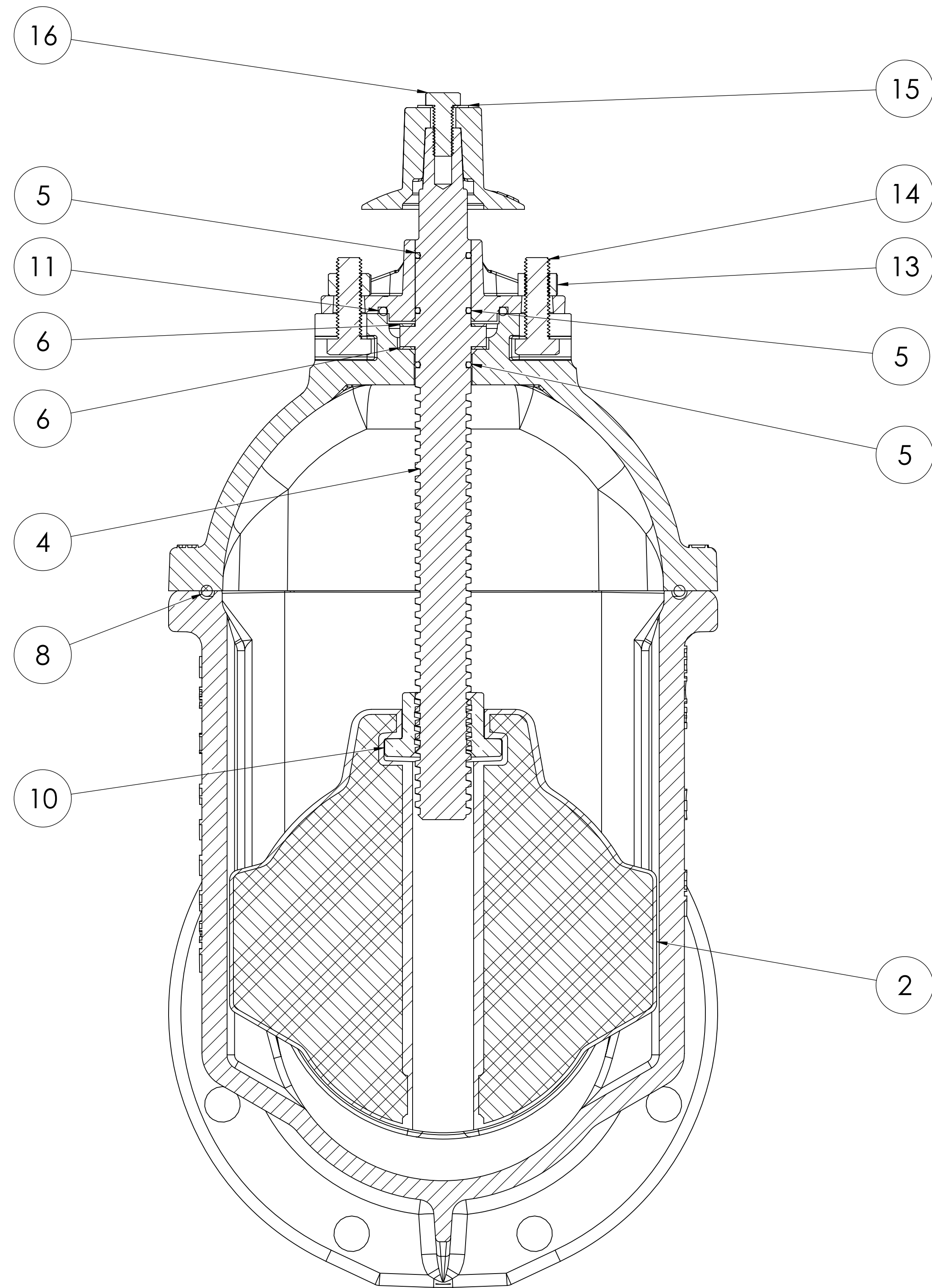
### OPERATING NUT WITH INDICATOR POST PLATE



### HANDWHEEL WITH O-RING PLATE



STANDARDS: ANSI/ASME B16.10, B16.11, AND B16.41 TOLERANCES AS FOLLOWS UNLESS OTHERWISE SPECIFIED.		PROPERTY OF MCHWAVE CORPORATION. ALL DIMENSIONS AND IDENTIFIERS ARE PROPRIETARY TO MCHWAVE CORPORATION AND ITS SUBSIDIARIES. REPRODUCTION OR USE WITHOUT PERMISSION OF MCHWAVE CORPORATION IS PROHIBITED. ALL RIGHTS RESERVED.		DATE: 12/2/2020	BY: CW
CASTING TOLERANCES:		MACHINED DIMENSIONS:		ESTIMATED WEIGHT:	
0.4": 1/32"	0.005	0.4": 0.005	0.005	LBS.	
0.8": 1/16"	0.010	0.8": 0.010	0.010	3	
1.2": 1/8"	0.015	1.2": 0.015	0.015	6	
1.6": 3/32"	0.020	1.6": 0.020	0.020	D	
2.0": 1/4"	0.030	2.0": 0.030	0.030	D	
MIN RADIUS: 1/8"		MIN RADIUS: 1/8"		D	
FINISH: Z		FINISH: Z		D	
DESCRIPTION: 08" C509 NRS RESILIENT WEDGE GATE VALVE		SCALE: 1:5		SHEET 3 OF 6	



THIRD ANGLE PROJECTION STANDARDS: ANSI/ASME Y14.100, Y14.1, AND Y14.141 TOLERANCES AS FOLLOWS UNLESS OTHERWISE SPECIFIED.		PROPERTY OF MCWANE CORPORATION. ALL RIGHTS AND INVENTION ARE RESERVED FOR MCWANE CORPORATION AND ITS SUBSIDIARIES. REPRODUCTION OR USE IN ANY MANNER WITHOUT THE WRITTEN PERMISSION OF MCWANE CORPORATION IS PROHIBITED. ALL RIGHTS RESERVED.		DATE: 12/2/2020	BY: CW	CHECKED BY: [Signature]	DESCRIPTION: 08" C509 NRS RESILIENT WEDGE GATE VALVE	ESTIMATED WEIGHT: LBS.	SCALE: 1:5	SHEET OF: 6	DRAWN BY: [Signature]	DATE: 12/2/2020	BY: CW	CHECKED BY: [Signature]	DESCRIPTION: 08" C509 NRS RESILIENT WEDGE GATE VALVE	ESTIMATED WEIGHT: LBS.	SCALE: 1:5	SHEET OF: 6	
CASTING TOLERANCES		MACHINED DIMENSIONS		DECIMALS: ±0.005		FRACTIONS: ±1/16"		ANGLES: ±1°		SURFACE FINISH: 125 μin		MIN RADII: 1/8"		MIN DRAFT: 2°		SHEET OF: 6		D	

<u>ITEM NO.</u>	<u>COMPONENT</u>	<u>QTY.</u>	<u>SIZE</u>	<u>STANDARD MATERIAL</u>	<u>MATERIAL OPTIONS</u>
1	BODY	1	-	DUCTILE IRON	CAST IRON
2	WEDGE	1	-	EPDM/DUCTILE IRON	-
3	COVER	1	-	DUCTILE IRON	-
4	STEM	1	-	C86700	C99500 (LOW ZINC), 304 SS, 316 SS
5	O-RING	3	#216	EPDM	BUNA-N
6	THRUST WASHER	2	-	ACETAL	C26000
7	O-RING PLATE	1	-	DUCTILE IRON	**INDICATOR POST PLATE**
8	O-RING	1	#447	EPDM	BUNA-N
9	OPERATING NUT	1	-	DUCTILE IRON	C86700, ** $\phi$ 14" HANDWHEEL**
10	STEM NUT	1	-	C87850	C87610 (LOW ZINC)
11	O-RING	1	#335	EPDM	BUNA-N
12	HEX HEAD CAP SCREW	8	5/8"-11 X 3"	18-8 SS	316 SS
13	HEX NUT	10	5/8"-11	18-8 SS	316 SS
14	HEX HEAD CAP SCREW	2	5/8"-11 X 2"	18-8 SS	316 SS
15	WASHER	1	1/2"	18-8 SS	316 SS
16	HEX HEAD CAP SCREW	1	1/2"-13 X 1 1/4"	18-8 SS	18-8 SS

VALVES CONFORM WITH THE FOLLOWING STANDARDS

- AWWA C509
- NSF 61
- LOW ZINC BRASS STEM AND STEM NUT AVAILABLE
- 100% DOMESTIC FASTENERS AND ORINGS OPTIONS AVAILABLE
- *OPEN LEFT (COUNTERCLOCKWISE) AND OPEN RIGHT (CLOCKWISE) OPTIONS AVAILABLE*
- TURNS TO OPEN FROM FULLY CLOSED: 26
- AWWA MAXIMUM ALLOWABLE CLOSING TORQUE 150 FT-LBS
- OPTIONAL HANDWHEEL CAN BE SUBSTITUTED FOR STANDARD 2" SQUARE OP. NUTS.
  - \*\*NOTE: STANDARD HANDWHEEL SIZE LISTED OUT IN PARTS LIST.\*\*
- MAXIMUM PRESSURE RATING 250 PSI